

THIS DRAWING AND THE SPECIFICATIONS CONTAINED HEREIN ARE CONFIDENTIAL AND PROPRIETARY. THEY ARE THE PROPERTY OF DIGITAL EQUIPMENT CORPORATION AND SHALL NOT BE REPRODUCED OR COPIED OR USED IN WHOLE OR IN PART AS THE BASIS FOR MANUFACTURE OR SALE OF ITEMS WITHOUT WRITTEN PERMISSION. THIS IS AN UNPUBLISHED WORK PROTECTED UNDER FEDERAL COPYRIGHT LAWS.

K-IC-RAB2-A-DBU4	RAB2 INTERCONNECT	K-AD-7021468-0-DBU	HDA-R/W MODULE ASSEMBLY
E-UA-H7660-0-0	H7660 POWER SUPPLY	K-PL-7021468-0-DBP	HDA-R/W MODULE ASSEMBLY
K-PL-H7660-0-DBP	H7660 POWER SUPPLY	K-1A-7021170-0-DBU	HEAD DISK ASSEMBLY
E-IC-H7660-0-2	H7660 POWER SUPPLY WIRING DIAGRAM	K-PL-7021170-0-DBP	HEAD DISK ASSEMBLY
E-AD-7018914-0-0	H7660 REAR PANEL ASSEMBLY	D-UA-5417760-0-B	HDA PREAMP MODULE
K-PL-7018914-0-DBP	H7660 REAR PANEL ASSEMBLY	K-PL-5417760-0-DBPB	HDA PREAMP MODULE
E-AD-7018919-0-0	H7660 FRONT PANEL ASSEMBLY	K-CS-5417760-0-B	HDA PREAMP MODULE
K-PL-7018919-0-DBP	H7660 FRONT PANEL ASSEMBLY		
E-UA-5414668-0-0	H7660 CONNECTOR BOARD		
K-PL-5414668-0-DBP	H7660 CONNECTOR BOARD		
D-CS-5414668-0-1	H7660 CONNECTOR BOARD		
D-UA-5415092-0-0	H7660 RELAY BOARD		
K-PL-5415092-0-DBP	H7660 RELAY BOARD		
D-CS-5415092-0-1	H7660 RELAY BOARD		
D-UA-5415094-0-0	H7660 CAPACITOR BOARD		
K-PL-5415094-0-DBP	H7660 CAPACITOR BOARD		
D-CS-5415094-0-1	H7660 CAPACITOR BOARD		
D-UA-5415096-0-0	H7660 REGULATOR BOARD		
K-PL-5415096-0-DBP	H7660 REGULATOR BOARD		
K-CS-5415096-0-1	H7660 REGULATOR BOARD		
D-UA-5414927-0-0	OPERATOR CONTROL PANEL		
K-PL-5414927-0-DBP	OPERATOR CONTROL PANEL		
K-CS-5414927-0-1	OPERATOR CONTROL PANEL		
D-UA-5416190-0-E	HYBRID MICROPROCESSOR MODULE		
K-PL-5416190-0-DBPE	HYBRID MICROPROCESSOR MODULE		
K-CS-5416190-0-E	HYBRID MICROPROCESSOR MODULE		
E-UA-5416188-0-D	SERVO CONTROL MODULE		
K-PL-5416188-0-DBPD	SERVO CONTROL MODULE		
K-CS-5416188-0-D	SERVO CONTROL MODULE		
D-UA-5416192-0-B	READ WRITE MODULE		
K-PL-5416192-0-DBPB	READ WRITE MODULE		
K-CS-5416192-0-B	READ WRITE MODULE		

digital

MAG MEDIA FILE NAME:

RAB2-A-TC-DBUS

PLOT SCALE:
1.0

TITLE
RAB2 FIELD MAINTENANCE
PRINT SET

SHEET 2 OF 2

SIZE
K

CODE
TC

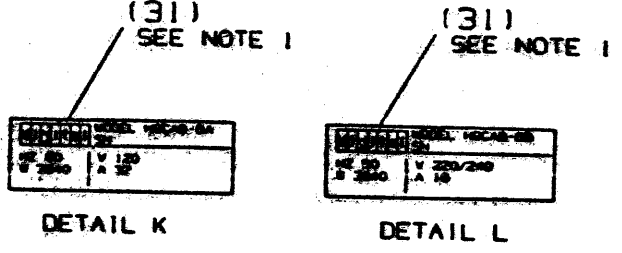
NUMBER

RAB2-A-DBU

REV

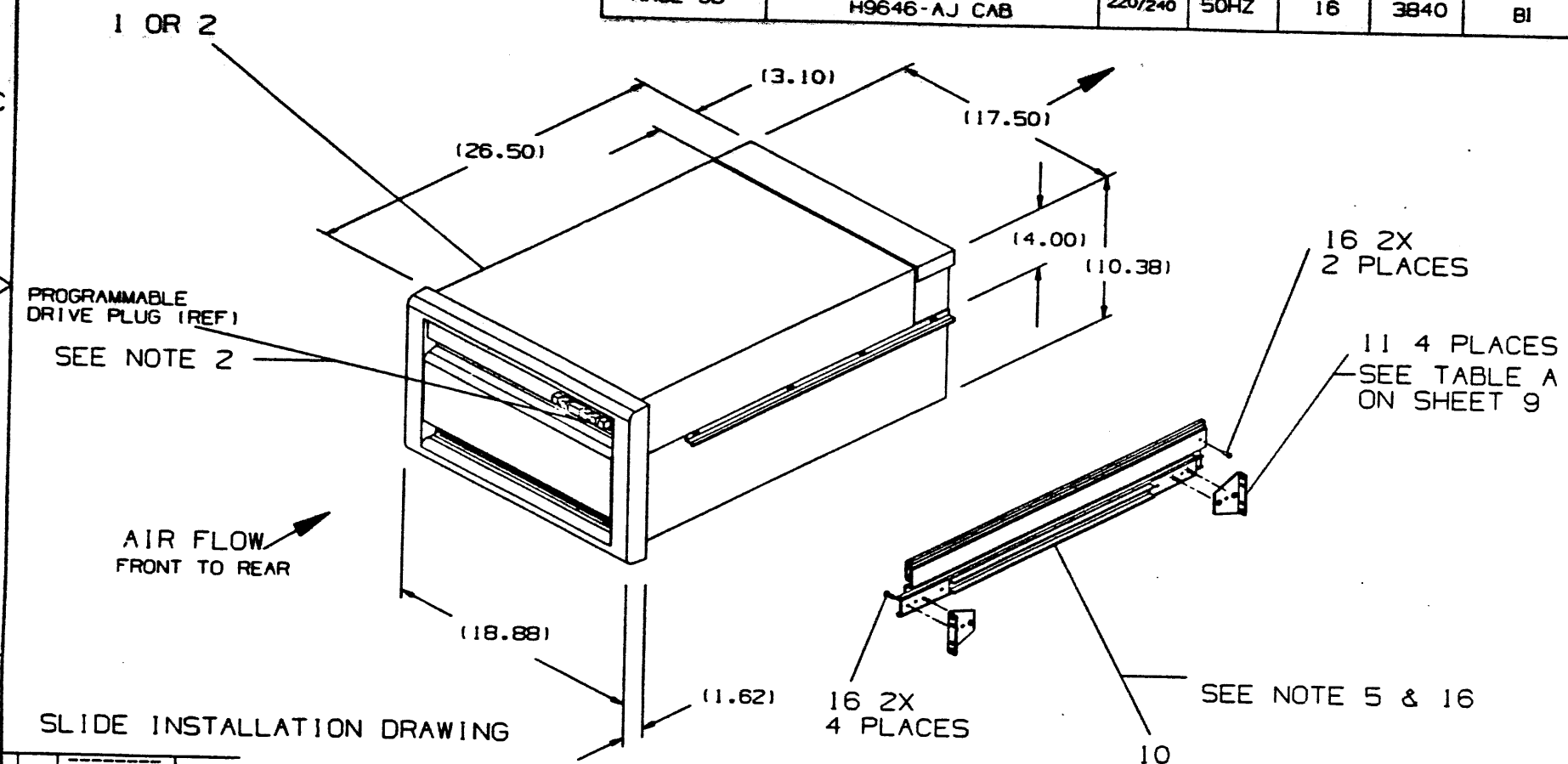
B

THIS DRAWING AND THE SPECIFICATIONS CONTAINED HEREIN ARE CONFIDENTIAL AND PROPRIETARY. THEY ARE THE PROPERTY OF DIGITAL EQUIPMENT CORPORATION AND SHALL NOT BE REPRODUCED OR COPIED OR USED IN WHOLE OR IN PART AS THE BASIS FOR THE MANUFACTURE OR SALE OF ITEMS WITHOUT WRITTEN PERMISSION. THIS IS AN UNCLASSIFIED ITEM DERIVED UNDER THE FEDERAL GOVERNMENT LABEL.



LEGEND						
PART NO.	VARIATION	VOLT	FREQ	AMPS	WATTS	PART REV
RAB2-FA	(1) 16 BIT RAB2 IN H9646-AH CAB	120	60HZ	8	960	B1
RAB2-FD	(1) 16 BIT RAB2 IN H9646-AJ CAB	220/240	50HZ	4	960	B1
RAB2-KA	(2) 16 BIT RAB2 IN H9646-AH CAB	120	60HZ	16	1920	B1
RAB2-KD	(2) 16 BIT RAB2 IN H9646-AJ CAB	220/240	50HZ	8	1920	B1
RAB2-LA	(3) 16 BIT RAB2 IN H9646-AH CAB	120	60HZ	24	2880	B1
RAB2-LD	(3) 16 BIT RAB2 IN H9646-AJ CAB	220/240	50HZ	12	2880	B1
RAB2-JA	(4) 16 BIT RAB2 IN H9646-AH CAB	120	60HZ	32	3840	B1
RAB2-JD	(4) 16 BIT RAB2 IN H9646-AJ CAB	220/240	50HZ	16	3840	B1

- NOTES:**
1. MANUFACTURING ORGANIZATION TO COMPLETE LABEL INFORMATION ACCORDING TO DETAIL K OR L DEPENDING ON VOLTAGE OF POWER CONTROLLER.
 2. REFER TO THE RAB2 DISK DRIVE USERS GUIDE PART NO. EK-ORAB2-UG FOR INSTALLATION OR PROCEDURE.
 3. ASSEMBLY CRITERIA PER DEC STD 116 SEC. 5.
 4. GENERAL TORQUE REQUIREMENTS PER A-SP-7665328-0-0.
 5. MOUNTING HOLES PER TABLE A, SHEET 9 MOUNTING INFO PER DETAILS E, AND J, SHEET 8.
 6. LOCATE CABLE TIES (ITEM 20) APPROX 8 IN. APART. USE MAXIMUM SETTING ON THOMAS & BETTS TOOL NO. WT193 OR EQUIVALENT.
 7. DRIVE SPINDLE SEQUENCE PLUG (ITEM 8) INSTALLS AT 'IN' POSITION.
 8. USE EXISTING POWER SUPPLY HARDWARE. ATTACH TO ESD BRACKETS.
 9. FOR DRIVE SPINDLE SEQUENCE IN ANOTHER CABINET, USE EXTERNAL DRIVE SEQUENCE CABLE ASSEMBLY, PART NO. 7019690-12. (IF DESIRED CHECK OTHER LENGTHS OFFERED.)
 10. AT LEAST ONE BRACKET (ITEM 13) TO REMAIN CONNECTED TO REAR OF DRIVE WHEN DRIVE IS OPERATIONAL. (FUNCTIONAL ELECTROSTATIC DISCHARGE PATH)
 11. WITH DRIVE FULLY EXTENDED, FASTEN CABLE TIES (ITEM 20) WITH MINIMUM AMOUNT OF EXCESS CABLE.
 12. DRESS CABLES AND/OR EXCESS TO AVOID SNAGGING OR INTERFERENCE WITH SLIDE MOUNTED DISK DRIVES.
 13. FOR COMPLETE PARTS LISTS, INSTRUCTIONS, AND ASSOCIATED HARDWARE TO MOUNT THESE PARTS, SEE THEIR ASSOCIATED ASSEMBLY DRAWINGS.
 14. ITEM 26 (BC26V-12) TO BE SHIPPED AS LOOSE PIECE.
 15. WHEN MOUNTING CHASSIS SLIDES TO FRAME, DO NOT TIGHTEN HARDWARE UNTIL THE RAB2 IS PLACED ON THE SLIDES AND CENTERED, THEN ALLOW SCREWS TO REST AT THE BOTTOM OF THEIR RESPECTIVE HOLES, THEN TIGHTEN. FAILURE TO DO SO MAY RESULT IN INTERLOCK INOPERATION.

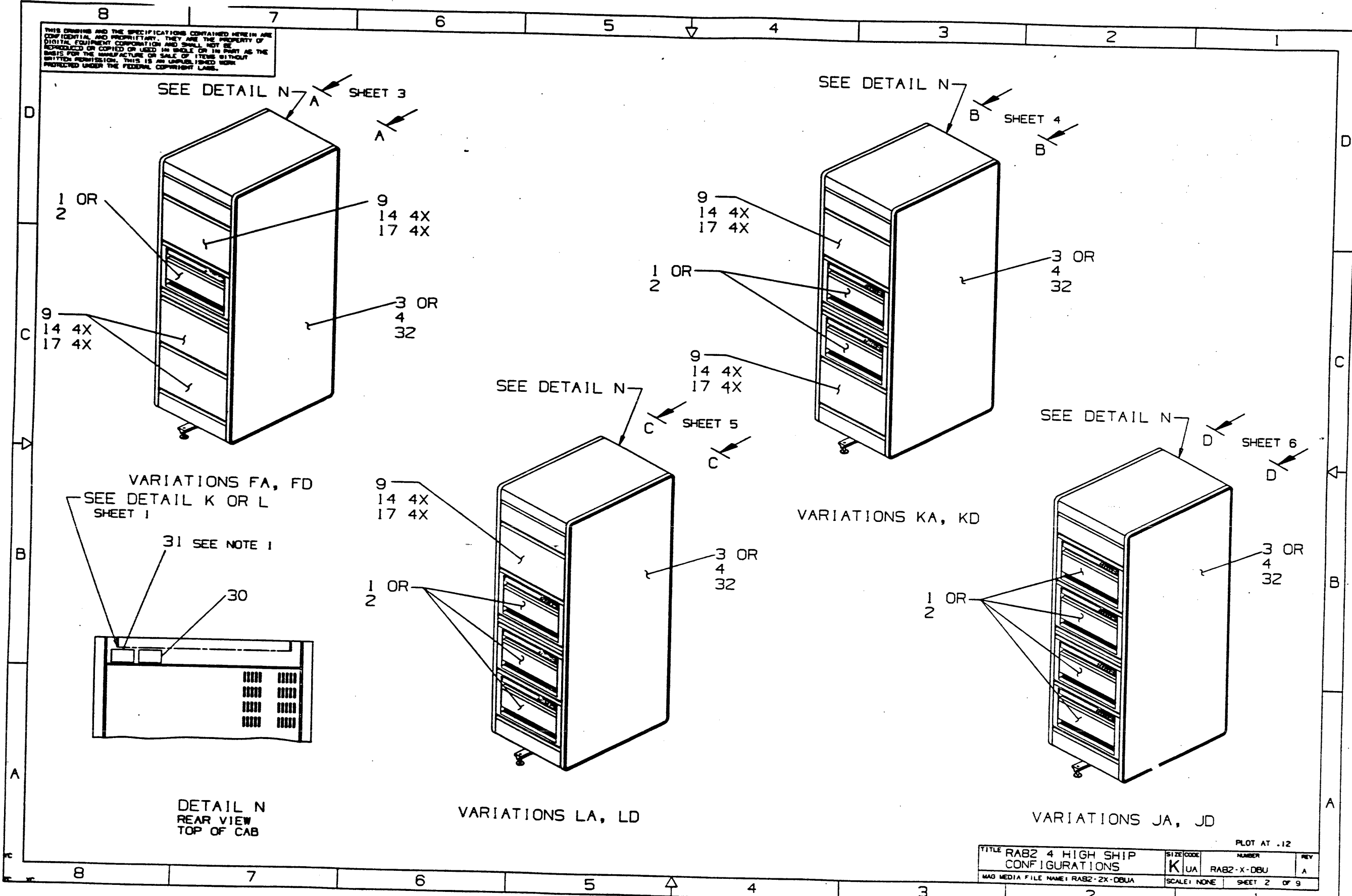


REVISION HISTORY	
PART REV	DESCRIPTION
FA/A1	
FD/A1	
KA/A1	
KD/A1	
LA/A1	
LD/A1	
JA/A1	
JD/A1	

TOLERANCES		CAUTION: OFF-SHEET PARTS LIST EXISTS. SEE K-PL-RAB2-X-DBP (CX305). TOP DOC: K-UA-RAB2-X-DBU MAG MEDIA FILE NAME: RAB2-IX-DBUA DATA BASE 1/1, PLOT A' .25
INCHES	ANGLES	
.01 ± .01	± 30°	
.001 ± .002		
.002 ± .005		

THIRD ANGLE PROJECTION	BY: M. NORVELL	DATE: 5/28/84	TITLE: digital
	CHKD: D. MILLER	DATE: 5/28/84	
DO NOT SCALE DRAWING	DES: G. EASTMAN	DATE: 5 MAY 84	RAB2 4 HIGH SHIP CONFIGURATIONS
REMOVE BURRS AND BREAK SHARP CORNERS	REP: J. NORDBERG	DATE:	
MATERIAL: SEE PARTS LIST	APP: H. LAFRESI	DATE:	DOCUMENT NUMBER
FINISH: NONE	HEAT TREATMENT: NONE		K UA RAB2-X-DBU A

THIS DRAWING AND THE SPECIFICATIONS CONTAINED HEREIN ARE CONFIDENTIAL AND PROPRIETARY. THEY ARE THE PROPERTY OF DIGITAL EQUIPMENT CORPORATION AND SHALL NOT BE REPRODUCED OR COPIED OR USED IN WHOLE OR IN PART AS THE BASIS FOR THE MANUFACTURE OR SALE OF ITEMS WITHOUT WRITTEN PERMISSION. THIS IS AN UNPUBLISHED WORK PROTECTED UNDER THE FEDERAL COPYRIGHT LAWS.



SEE DETAIL N A SHEET 3

SEE DETAIL N B SHEET 4

SEE DETAIL N C SHEET 5

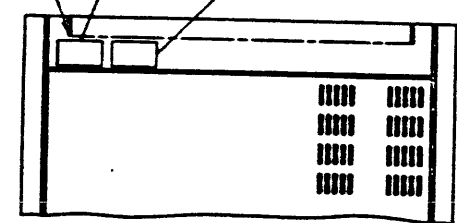
SEE DETAIL N D SHEET 6

VARIATIONS FA, FD
SEE DETAIL K OR L
SHEET 1

VARIATIONS KA, KD

VARIATIONS LA, LD

VARIATIONS JA, JD

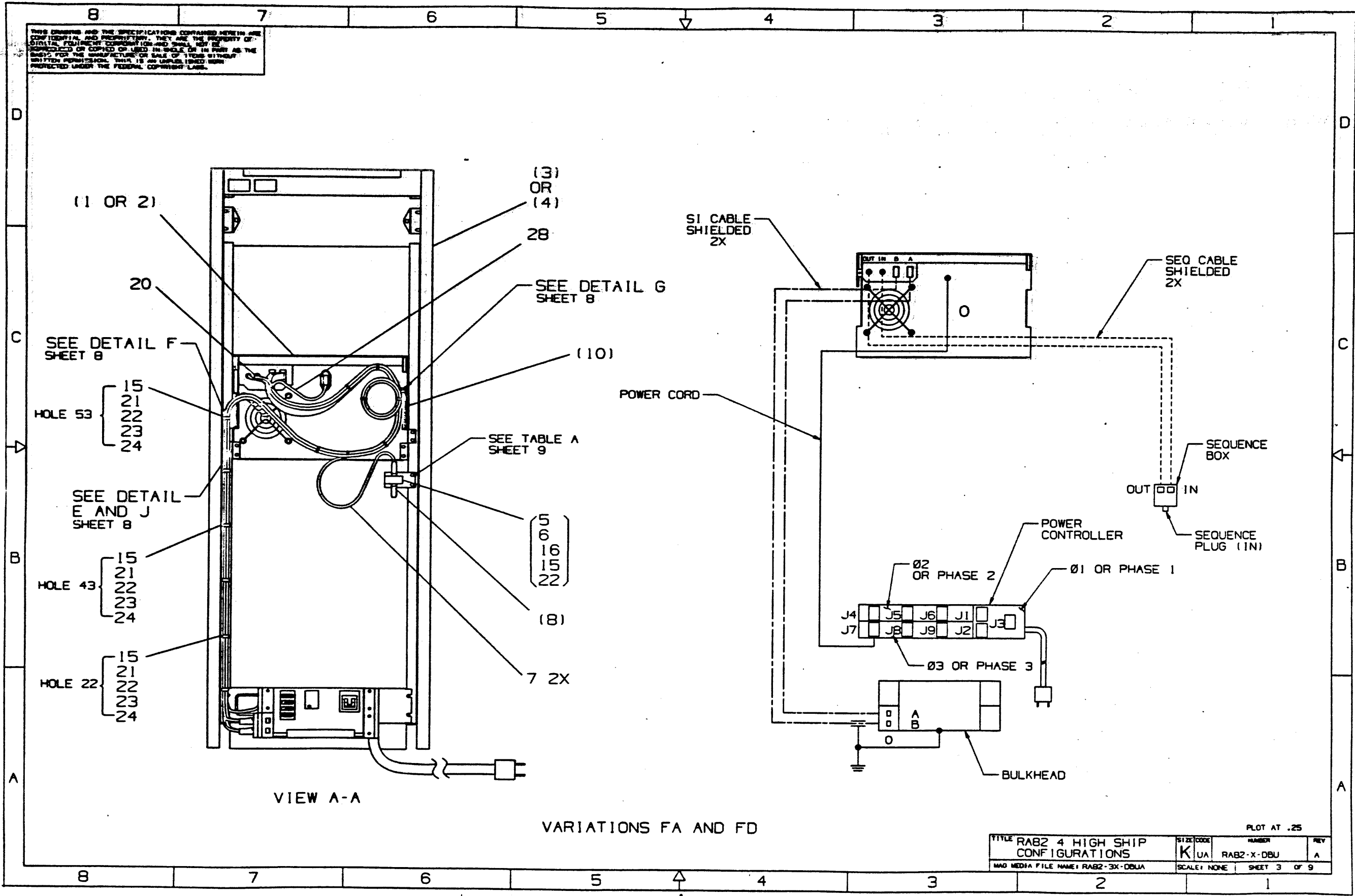


DETAIL N
REAR VIEW
TOP OF CAB

TITLE RAB2 4 HIGH SHIP CONFIGURATIONS		SIZE CODE K UA	NUMBER RAB2-X-DBU	REV A
MAG MEDIA FILE NAME: RAB2-ZX-DBUA		SCALE: NONE	SHEET 2 OF 9	

PLOT AT .12

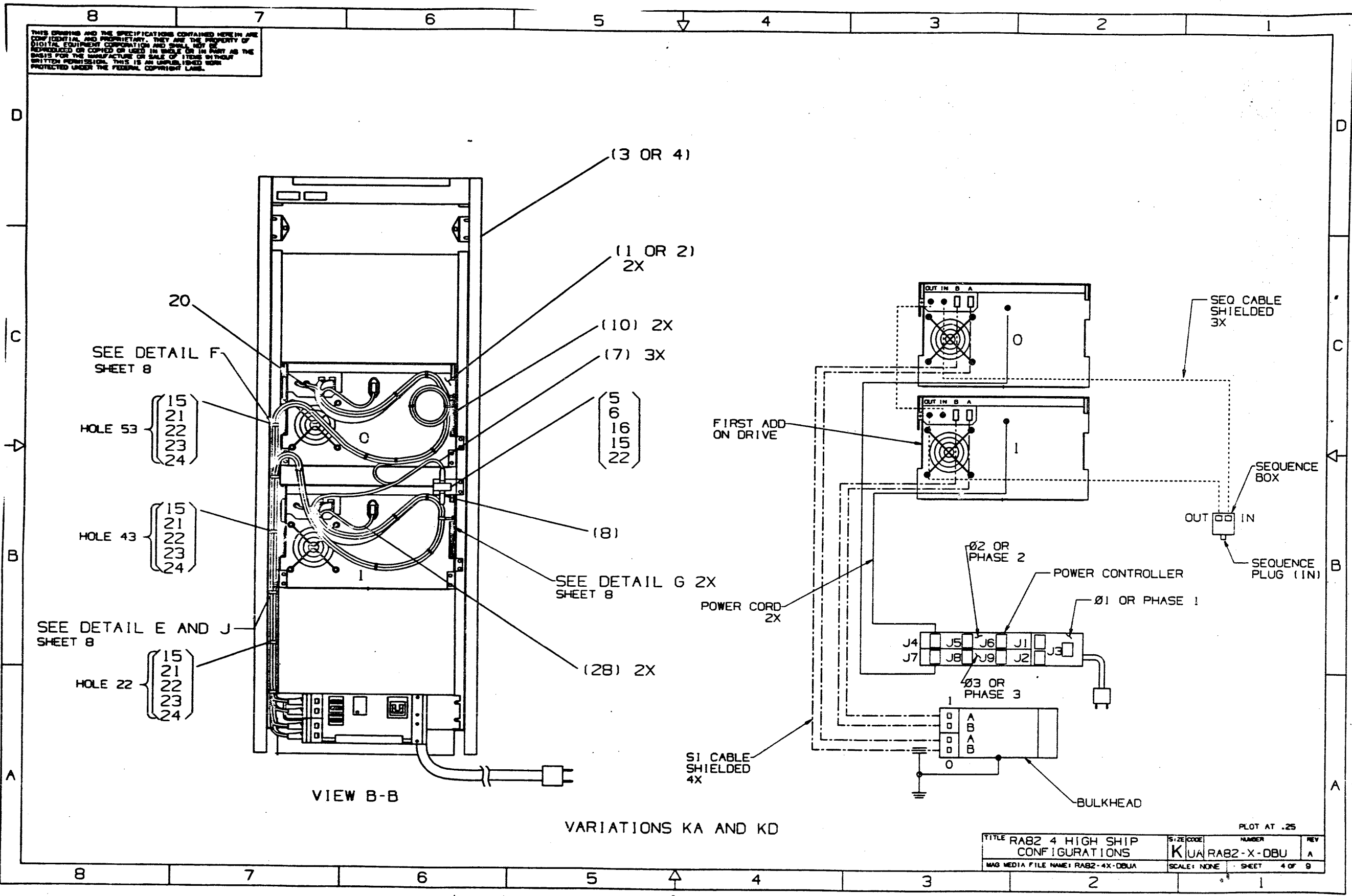
THIS DRAWING AND THE SPECIFICATIONS CONTAINED HEREIN ARE CONFIDENTIAL AND PROPRIETARY. THEY ARE THE PROPERTY OF: DIGITAL EQUIPMENT CORPORATION AND SHALL NOT BE REPRODUCED OR COPIED OR USED IN WHOLE OR IN PART AS THE BASIS FOR THE MANUFACTURE OR SALE OF ITEMS WITHOUT WRITTEN PERMISSION. THIS IS AN UNPUBLISHED WORK PROTECTED UNDER THE FEDERAL COPYRIGHT LAWS.



PLOT AT .25

TITLE	RAB2 4 HIGH SHIP CONFIGURATIONS	SIZE CODE	K UA	NUMBER	RAB2-X-DBU	REV	A
MAG MEDIA FILE NAME: RAB2-3X-DBUA		SCALE	NONE	SHEET 3 OF 9			

THIS DRAWING AND THE SPECIFICATIONS CONTAINED HEREIN ARE CONFIDENTIAL AND PROPRIETARY. THEY ARE THE PROPERTY OF DIGITAL EQUIPMENT CORPORATION AND SHALL NOT BE REPRODUCED OR COPIED OR USED IN WHOLE OR IN PART AS THE BASIS FOR THE MANUFACTURE OR SALE OF ITEMS WITHOUT WRITTEN PERMISSION. THIS IS AN UNPUBLISHED WORK PROTECTED UNDER THE FEDERAL COPYRIGHT LAWS.



SEE DETAIL F
SHEET 8

HOLE 53 {
15
21
22
23
24

HOLE 43 {
15
21
22
23
24

SEE DETAIL E AND J
SHEET 8

HOLE 22 {
15
21
22
23
24

(3 OR 4)

(1 OR 2)
2X

(10) 2X

(7) 3X

{
5
6
16
15
22

(8)

SEE DETAIL G 2X
SHEET 8

(28) 2X

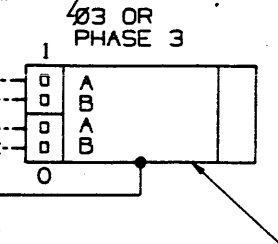
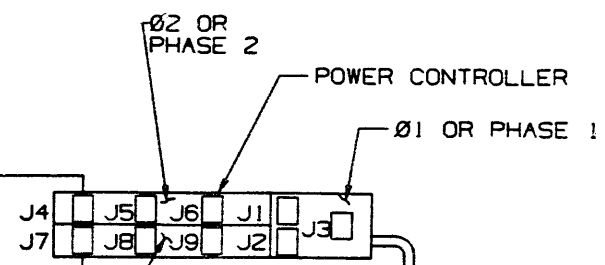
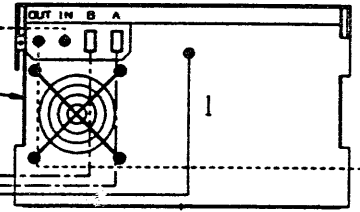
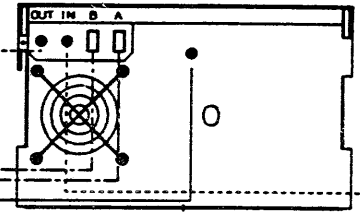
VIEW B-B

VARIATIONS KA AND KD

FIRST ADD
ON DRIVE

POWER CORD
2X

S1 CABLE
SHIELDED
4X



SEQ CABLE
SHIELDED
3X

SEQUENCE
BOX

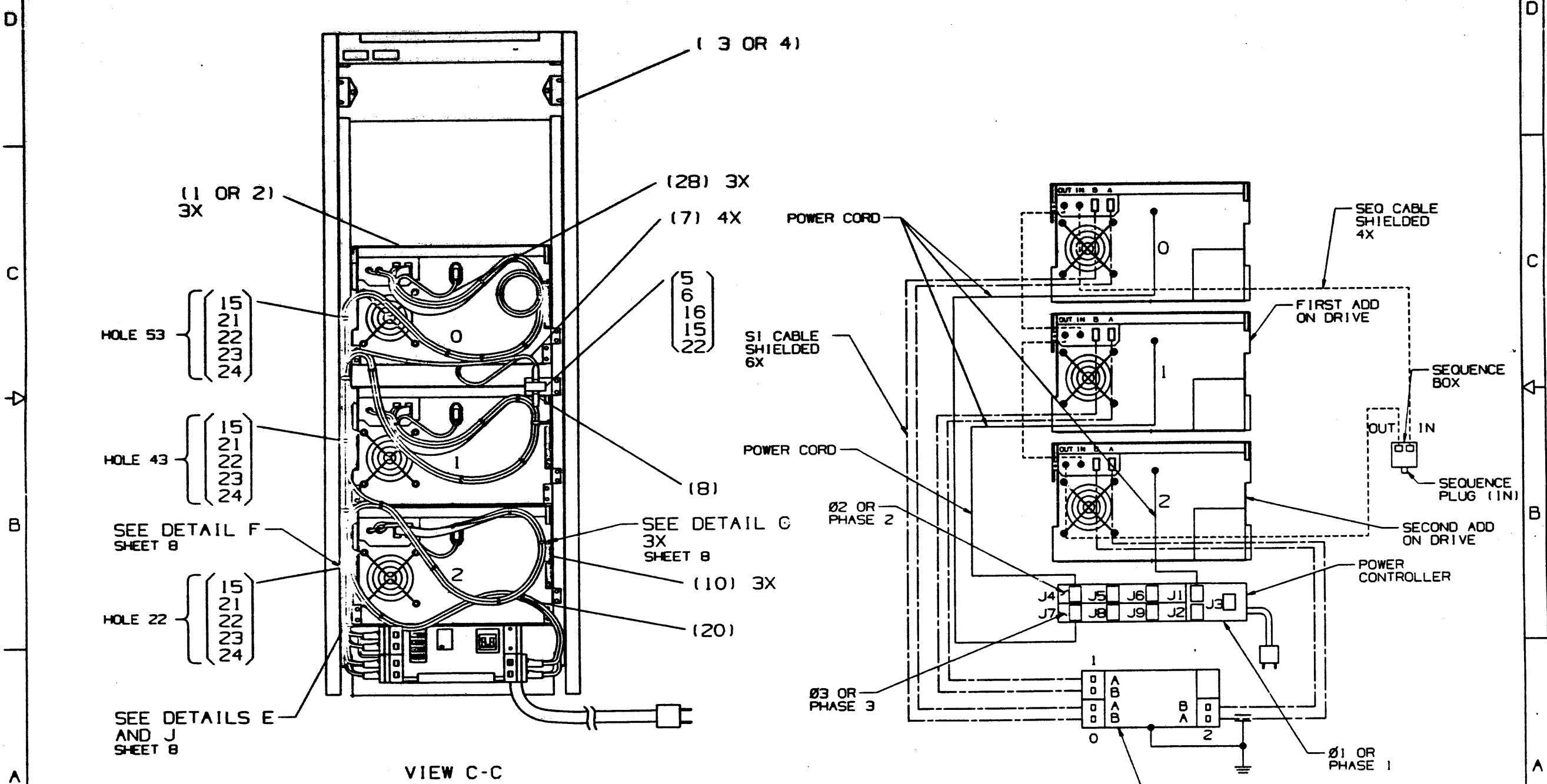
OUT IN
SEQUENCE
PLUG (IN)

BULKHEAD

TITLE	RAB2 4 HIGH SHIP CONFIGURATIONS	SIZE/CODE	NUMBER	REV
MAG MEDIA FILE NAME	RAB2-4X-DBUA	SCALE	NONE	SHEET 4 OF 9
		KUA RAB2-X-DBU		A

PLOT AT .25

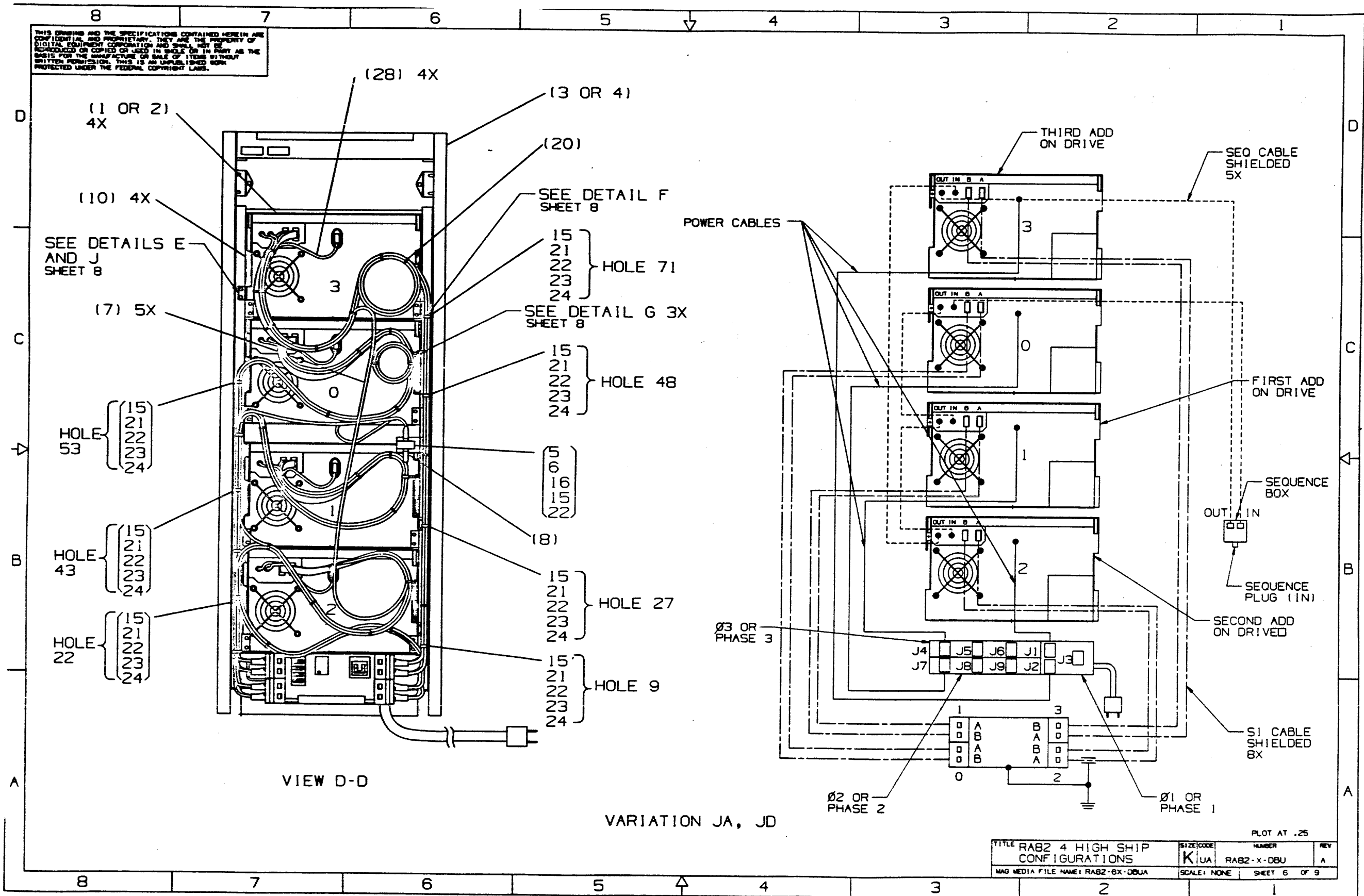
THIS DRAWING AND THE SPECIFICATIONS CONTAINED HEREIN ARE CONFIDENTIAL AND PROPRIETARY. THEY ARE THE PROPERTY OF BULLITT, PEARSON CORPORATION AND SHALL NOT BE REPRODUCED OR COPIED IN WHOLE OR IN PART AS THE BASIS FOR THE MANUFACTURE OR SALE OF ITEMS WITHOUT WRITTEN PERMISSION. THIS IS AN UNCLASSIFIED DOCUMENT UNDER THE FEDERAL COPYRIGHT LAWS.



PL0T AT .25

TITLE	RAB2 4 HIGH SHIP CONFIGURATIONS	SIZE	K	NUMBER	UA	NAME	RAB2-X-BBU	REV	A
MAG MEDIA FILE NAME: RAB2-5X-BBUA		SCALE	NONE	SHEET		5 OF 9			

THIS DRAWING AND THE SPECIFICATIONS CONTAINED HEREIN ARE CONFIDENTIAL AND PROPRIETARY. THEY ARE THE PROPERTY OF DIGITAL EQUIPMENT CORPORATION AND SHALL NOT BE REPRODUCED OR COPIED OR USED IN WHOLE OR IN PART AS THE BASIS FOR THE MANUFACTURE OR SALE OF ITEMS WITHOUT WRITTEN PERMISSION. THIS IS AN UNPUBLISHED WORK PROTECTED UNDER THE FEDERAL COPYRIGHT LAWS.



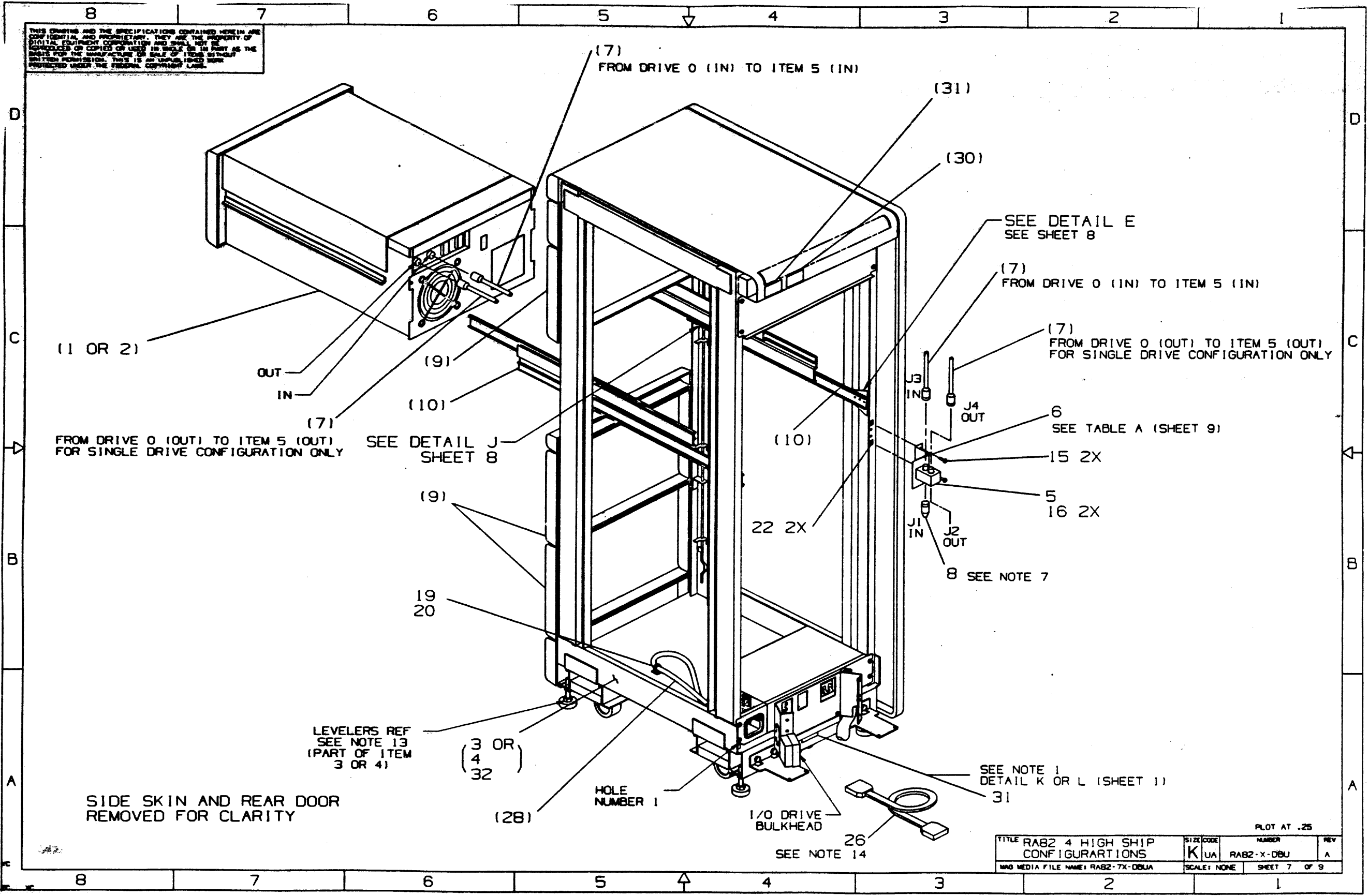
VIEW D-D

VARIATION JA, JD

TITLE RAB2 4 HIGH SHIP CONFIGURATIONS		SIZE CODE K UA	NUMBER RAB2-X-DBU	REV A
MAG MEDIA FILE NAME: RAB2-6X-DBU.A		SCALE: NONE	SHEET 6 OF 9	

PLOT AT .25

THIS DRAWING AND THE SPECIFICATIONS CONTAINED HEREIN ARE CONFIDENTIAL AND PROPRIETARY. THEY ARE THE PROPERTY OF GUNITE EQUIPMENT CORPORATION AND SHALL NOT BE REPRODUCED OR COPIED OR USED IN WHOLE OR IN PART AS THE BASIS FOR THE MANUFACTURE OR SALE OF ITEMS WITHOUT WRITTEN PERMISSION. THIS IS AN UNCLASSIFIED ITEM PROTECTED UNDER THE FEDERAL COPYRIGHT LAW.

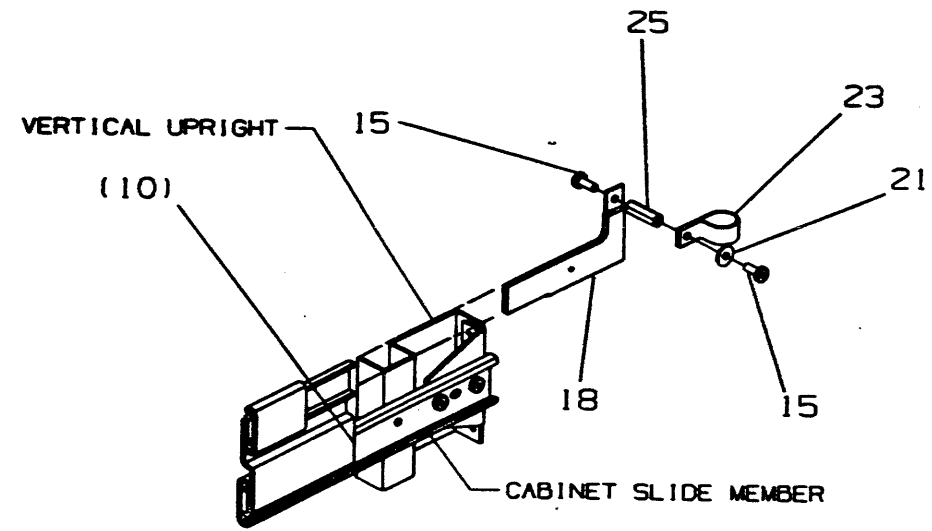


SIDE SKIN AND REAR DOOR REMOVED FOR CLARITY

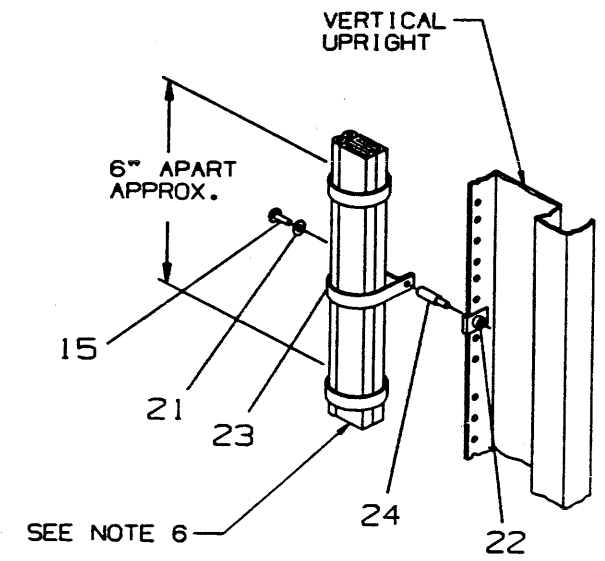
TITLE RAB2 4 HIGH SHIP CONFIGURATIONS		SIZE CODE K UA	NUMBER RAB2-X-DBU	REV A
WING MEDIA FILE NAME: RAB2-7X-DBUA		SCALE: NONE	SHEET 7 OF 9	

PLOT AT .25

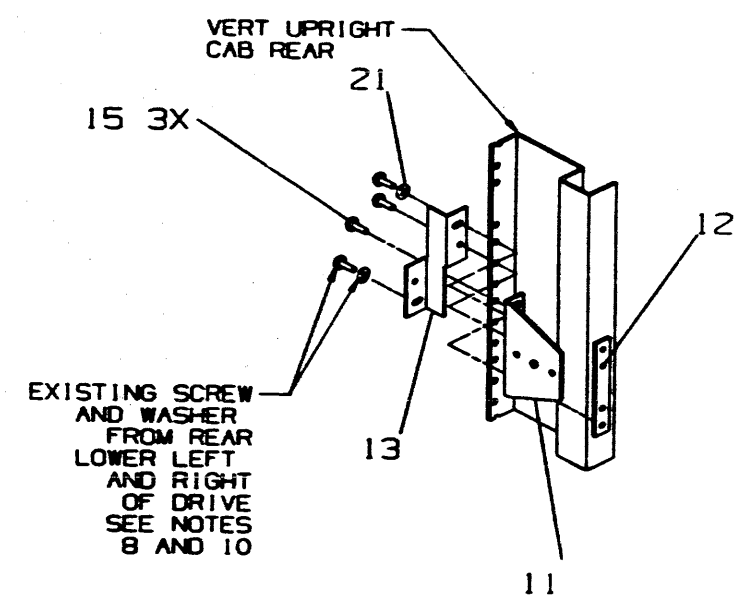
THIS DRAWING AND THE SPECIFICATIONS CONTAINED HEREIN ARE CONFIDENTIAL AND PROPRIETARY. THEY ARE THE PROPERTY OF DIGITAL EQUIPMENT CORPORATION AND SHALL NOT BE REPRODUCED OR COPIED OR USED IN WHOLE OR IN PART AS THE BASIS FOR THE MANUFACTURE OR SALE OF ITEMS WITHOUT WRITTEN PERMISSION. THIS IS AN UNCLASSIFIED WORK PROTECTED UNDER THE FEDERAL COPYRIGHT LAWS.



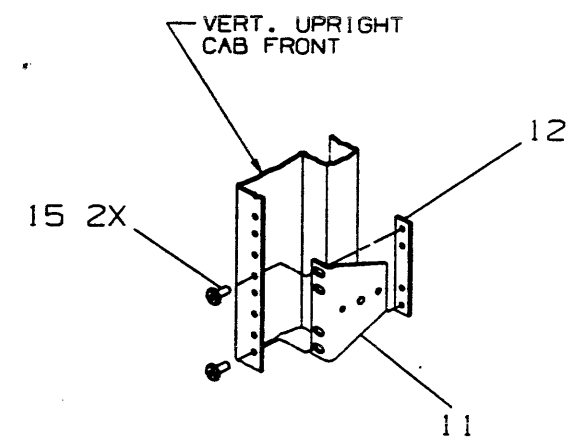
DETAIL G
1 PLACE PER DRIVE
VERTICAL UPRIGHT #2
DRIVES #0, 1 & 2



DETAIL F
TYP POWER & SIGNAL
CABLES



DETAIL E
2 PLACES PER SLIDE
SEE TABLE A SHEET 9
FROM SHEETS 3, 4, 5, 6 OR 7



DETAIL J
2 PLACES PER SLIDE
SEE TABLE A SHEET 9
FROM SHEETS 3, 4, 5, 6 OR 7

TITLE RAB2 4 HIGH SHIP CONFIGURATIONS		SIZE/CODE K UA	NUMBER RAB2-X-DBU	REV A
MAG MEDIA FILE NAME: RAB2-BX-DBUA		SCALE: NONE	SHEET 8 OF 9	

PLOT AT .25

THIS DRAWING AND THE SPECIFICATIONS CONTAINED HEREIN ARE CONFIDENTIAL AND PROPRIETARY. THEY ARE THE PROPERTY OF ORIGINATING AGENCY AND SHALL NOT BE REPRODUCED OR COPIED OR USED IN WHOLE OR IN PART AS THE BASIS FOR THE MANUFACTURE OR SALE OF ITEMS WITHOUT WRITTEN PERMISSION. THIS IS AN UNCLASSIFIED WORK PROTECTED UNDER THE FEDERAL COPYRIGHT LAWS.

CABLE CHARTS

FIRST RAB2 ADD-ON, LOWER MIDDLE BAY

ITEM NO.	DESCRIPTION	FROM	TO	REMARKS
	SI CABLE	A-DRIVE 0	A-1/0 BLKHD	PRT OF DRIVE 0
	SI CABLE	B-DRIVE 0	B-1/0 BLKHD	PRT OF DRIVE 0
	SI CABLE	A-DRIVE 1	A-1/0 BLKHD	PRT OF DRIVE 1
	SI CABLE	B-DRIVE 1	B-1/0 BLKHD	PRT OF DRIVE 1
8	PLUG SEQUENCE		SEQ BOX (IN)	
7	DRIVE SEQUENCE	IN-DRIVE 0	IN-SEQ BOX	
7	DRIVE SEQUENCE	OUT-DRIVE 0	IN-DRIVE 1	
7	DRIVE SEQUENCE	OUT-DRIVE 1	OUT-1/0 BLKHD	
28	DRIVE PWR CORD	H7660 PWR SUPPLY DRIVE 0 DRIVE 1	881 PWR CONT	J4 J7

SECOND RAB2 ADD-ON, BOTTOM BAY

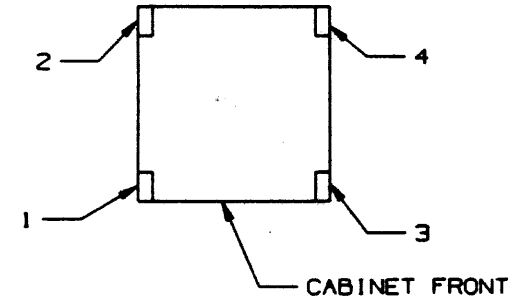
ITEM NO.	DESCRIPTION	FROM	TO	REMARKS
	SI CABLE	A-DRIVE 0	A-1/0 BLKHD	PRT OF DRIVE 0
	SI CABLE	B-DRIVE 0	B-1/0 BLKHD	PRT OF DRIVE 0
	SI CABLE	A-DRIVE 1	A-1/0 BLKHD	PRT OF DRIVE 1
	SI CABLE	B-DRIVE 1	B-1/0 BLKHD	PRT OF DRIVE 1
	SI CABLE	A-DRIVE 2	A-1/0 BLKHD	PRT OF DRIVE 2
	SI CABLE	B-DRIVE 2	B-1/0 BLKHD	PRT OF DRIVE 2
8	PLUG SEQUENCE		SEQ BOX (IN)	
7	DRIVE SEQUENCE	IN-DRIVE 0	IN-SEQ BOX	
7	DRIVE SEQUENCE	OUT-DRIVE 0	IN-DRIVE 1	
7	DRIVE SEQUENCE	OUT-DRIVE 1	IN-DRIVE 2	
7	DRIVE SEQUENCE	OUT-DRIVE 2	OUT-SEQ BOX	
28	DRIVE PWR CORD	H7660 PWR SUPPLY DRIVE 2	881 PWR CONT	J1

THIRD RAB2 ADD-ON, TOP BAY

ITEM NO.	DESCRIPTION	FROM	TO	REMARKS
	SI CABLE	A-DRIVE 0	A-1/0 BLKHD	PRT OF DRIVE 0
	SI CABLE	B-DRIVE 0	B-1/0 BLKHD	PRT OF DRIVE 0
	SI CABLE	A-DRIVE 1	A-1/0 BLKHD	PRT OF DRIVE 1
	SI CABLE	B-DRIVE 1	B-1/0 BLKHD	PRT OF DRIVE 1
	SI CABLE	A-DRIVE 2	A-1/0 BLKHD	PRT OF DRIVE 2
	SI CABLE	B-DRIVE 2	B-1/0 BLKHD	PRT OF DRIVE 2
	SI CABLE	A-DRIVE 3	A-1/0 BLKHD	PRT OF DRIVE 3
	SI CABLE	B-DRIVE 3	B-1/0 BLKHD	PRT OF DRIVE 3
8	PLUG SEQUENCE		SEQ BOX (IN)	
7	DRIVE SEQUENCE	IN-DRIVE 0	IN-SEQ BOX	
7	DRIVE SEQUENCE	OUT-DRIVE 0	IN-DRIVE 1	
7	DRIVE SEQUENCE	OUT-DRIVE 1	IN-DRIVE 2	
7	DRIVE SEQUENCE	OUT-DRIVE 2	IN-DRIVE 3	
7	DRIVE SEQUENCE	OUT-DRIVE 3	OUT-SEQ BOX	
28	DRIVE PWR CORD	H7660 PWR SUPPLY DRIVE 3	881 PWR CONT	J2

TABLE A

ITEM NO.	MOUNTING HOLES			CONFIGURATION
	VERTICAL UPRIGHT #4 (RIGHT REAR)	VERTICAL UPRIGHT #2 (LEFT REAR)	VERTICAL UPRIGHTS LEFT AND RIGHT FRONT	
8		41, 44		ALL DRIVES
11	52	52	48, 52	DRIVE 0
11	31	31	27, 31	DRIVE 1
11	13	13	9, 13	DRIVE 2
11	70	70	66, 70	DRIVE 3
13	49, 51	49, 51		DRIVE 0
13	28, 30	28, 30		DRIVE 1
13	10, 12	10, 12		DRIVE 2
13	67, 69	67, 69		DRIVE 3



LINE ITEM	TOP DOCUMENT	PART NUMBER	MIN REV	DESCRIPTION	QUANTITY PER VARIATION/REVISION							
					FA B1	FD B1	JA B1	JD B1	KA B1	KD B1	LA B1	LD B1
1	D-AD-7021577-0-0	70-21577-01		DISC DRIVE (60HZ,120V,16 BIT)	1	-	4	-	2	-	3	-
2	D-AD-7021577-0-0	70-21577-02		DISC DRIVE (50HZ,240V,16 BIT)	-	1	-	4	-	2	-	3
3	D-UA-H9646-A-0	H9646-AH		60" MASS STOR CAB,HOLDS 4 10.5" DE	1	-	1	-	1	-	1	-
4	D-UA-H9646-A-0	H9646-AJ		60" MASS STOR CAB,HOLDS 4 10.5" DE	-	1	-	1	-	1	-	1
5	D-AD-7019713-0-0	70-19713-01		SEQUENCE BOX ASSEMBLY	1	1	1	1	1	1	1	1
6	K-IA-7432046-0-DBU	74-32046-01 A		BRACKET,SEQUENCE MTG.	1	1	1	1	1	1	1	1
7	K-IA-7019690-0-0	70-19690-08		CABLE, DRIVE SEQ SHIELDED (8'-0")	2	2	5	5	3	3	4	4
8	C-IA-7019692-0-0	70-19692-01		PLUG	1	1	1	1	1	1	1	1
9	E-MD-7415314-0-0	74-15314-00		CASTING 101/2 SNAP-ON BEZEL	3	3	-	-	2	2	1	1
10		12-13686-00 K		CHASSIS SLIDE SET INCLUDED 1 L.H.	1	1	4	4	2	2	3	3
11	D-MD-7419261-0-0	74-19261-00		BRACKET CHASSIS SLIDE	4	4	16	16	8	8	12	12
12	B-MD-7425168-0-0	74-25168-01		BAR, NUT	4	4	16	16	8	8	12	12
13	C-MD-7428330-0-0	74-28330-01 A		BRACKET,ESD	2	2	8	8	4	4	6	6
14	B-MD-7415711-0-0	74-15711-02		FIN PILOT	12	12	-	-	8	8	4	4
15		90-09700-00 A		SCREW,SEMS TRUSS PHIL 10-32	17	17	55	55	29	29	41	41
16		90-10174-01 C		SCREW,SEMS PAN PHIL 8-32	14	14	50	50	26	26	38	38
17		90-06565-00 C		NUT,HEX EXT TOOTH LCKWSHR 10-32X	12	12	-	-	8	8	4	4
18	D-MD-7425326-0-0	74-25326-01 A		SPRING RETAINER CABLE	1	1	3	3	2	2	3	3
19		90-08264-00 A		MOUNT, CABLE TIE, ADHESIVE BACKED,	1	1	1	1	1	1	1	1
20		90-07032-00 D		TIE,CABLE BUNDL.DIA 0-1-3/4"=101	15	15	50	50	24	24	34	34
21		90-06664-00 B		WASHER,FLAT SST	6	6	18	18	9	9	12	12
22		90-07786-00 F		RETAINER,U-NUT 10-32X	5	5	9	9	5	5	5	5
23		90-07088-00		CLAMP,CABLE,SCREW MTD. 11/16"	4	4	10	10	5	5	6	6
24		90-00001-22 A		STANDOFF,MALE/FEMALE HEX 10-32 X	3	3	7	7	3	3	3	3
25		90-07662-00 A		SPACER,THREADED HEX ALUM 10-32X	1	1	3	3	2	2	3	3
26		BC26V-12		SI CABLE,12FT,4 COAX SHIELDED	1	1	4	4	2	2	3	3
27				*** THIS ITEM IS NOT USED ***	-	-	-	-	-	-	-	-
28		17-00442-19 A		FWR CORD 9' LG 15A	1	1	4	4	2	2	3	3
29				*** THIS ITEM IS NOT USED ***	-	-	-	-	-	-	-	-
30		36-17680-03 E		LABEL,FCC,CLASS A,PERIPHERAL	1	1	1	1	1	1	1	1
31		36-17674-01 E		LABEL,SERIAL/POWER W UL & CSA LC	2	2	2	2	2	2	2	2
32	A-PS-3700588	37-90588-01 A		PKG DISK DRIVE R80 CUSTOMER	1	1	1	1	1	1	1	1

REVISION HISTORY			KPL MATRIX FORMAT SECTION A OF A DRN: M. NORVELL		DIGITAL			
ENG	ECO NUMBER	REV	SECTION/VARIATION INDEX	DATE: 05-MAR-86				
GE	INITIAL RELEASE	A	[A] FA,FD,JA,JD,KA,KD,LA,LD	CHK'D: D. MILLER	TITLE PARTS LIST			
			[B]	DATE: 05-MAY-86	RA82 4 HIGH SHIP CONFIGURATIONS			
			[C]	DES.ENG: G. EASTMAN	DOCUMENT NUMBER			
			[D]	DATE: 05-MAY-86	SIZE: CODE:	NUMBER	REV	
			[E]	<i>G. Eastman 5-May-86</i>	K	PL	RA82-X-DBP	A
			[F]	RESP.ENG.: J. NORDBERG	RELEASE DATE: 06-MAY-86			
			[G]	DATE: 05-MAY-86	RELEASE STATUS: RELEASED			
			[H]	<i>Rudley 6 MAY 86</i>				
			[J]	MFG.ENG: D. SADIJAK				
				DATE: 05-MAY-86				
				<i>R. Sadijak 8 MAY 86</i>				
BASIC PART NUMBER: RA82			ASSEMBLY NUMBER: K-UA-RA82-X-DBU	TOP DOCUMENT NUMBER: K-UA-RA82-X-DBU	FILE NAME: CX305A.PLS	EDIT #	54	

"THIS DRAWING AND THE SPECIFICATIONS CONTAINED HEREIN ARE CONFIDENTIAL AND PROPRIETARY. THEY ARE THE PROPERTY OF DIGITAL EQUIPMENT CORPORATION AND SHALL NOT BE REPRODUCED OR COPIED OR USED IN WHOLE OR IN PART AS THE BASIS FOR THE MANUFACTURE OR SALE OF ITEMS WITHOUT WRITTEN PERMISSION. THIS IS AN UNPUBLISHED WORK PROTECTED UNDER THE FEDERAL COPYRIGHT LAWS."

AUTOMATED BY VAXKPL (V1.1)

PARTS LIST

SHEET A2 OF A2

LINE ITEM	TOP DOCUMENT	PART NUMBER	MIN REV	DESCRIPTION	QUANTITY PER VARIATION/REVISION								
					FA	FD	JA	JD	KA	KD	LA	LD	
					B1	B1	B1	B1	B1	B1	B1	B1	B1

- 1 GEN: LEGEND
- 2 GEN: PART NUMBER VARIATION
- 3 GEN: RA82-FA (1) 16 BIT RA82 IN A H9646-AH CAB 120V 60HZ
- 4 GEN: RA82-FB (1) 16 BIT RA82 IN A H9646-AJ CAB 220/240V 50HZ

D	I	G	I	T	A	L	TITLE	SECTION A OF A	SIZE	CODE	DOCUMENT NUMBER	REV
							RA82 4 HIGH SHIP CONFIGURATIONS		K	PL	RA82-X-DBP	A

THIS DRAWING AND THE SPECIFICATIONS CONTAINED HEREIN ARE CONFIDENTIAL AND UNCLASSIFIED. THE INFORMATION CONTAINED HEREIN IS UNCLASSIFIED EXCEPT WHERE SHOWN OTHERWISE. THIS INFORMATION IS UNCLASSIFIED EXCEPT WHERE SHOWN OTHERWISE. THIS INFORMATION IS UNCLASSIFIED EXCEPT WHERE SHOWN OTHERWISE.

DUA RA82-A-0

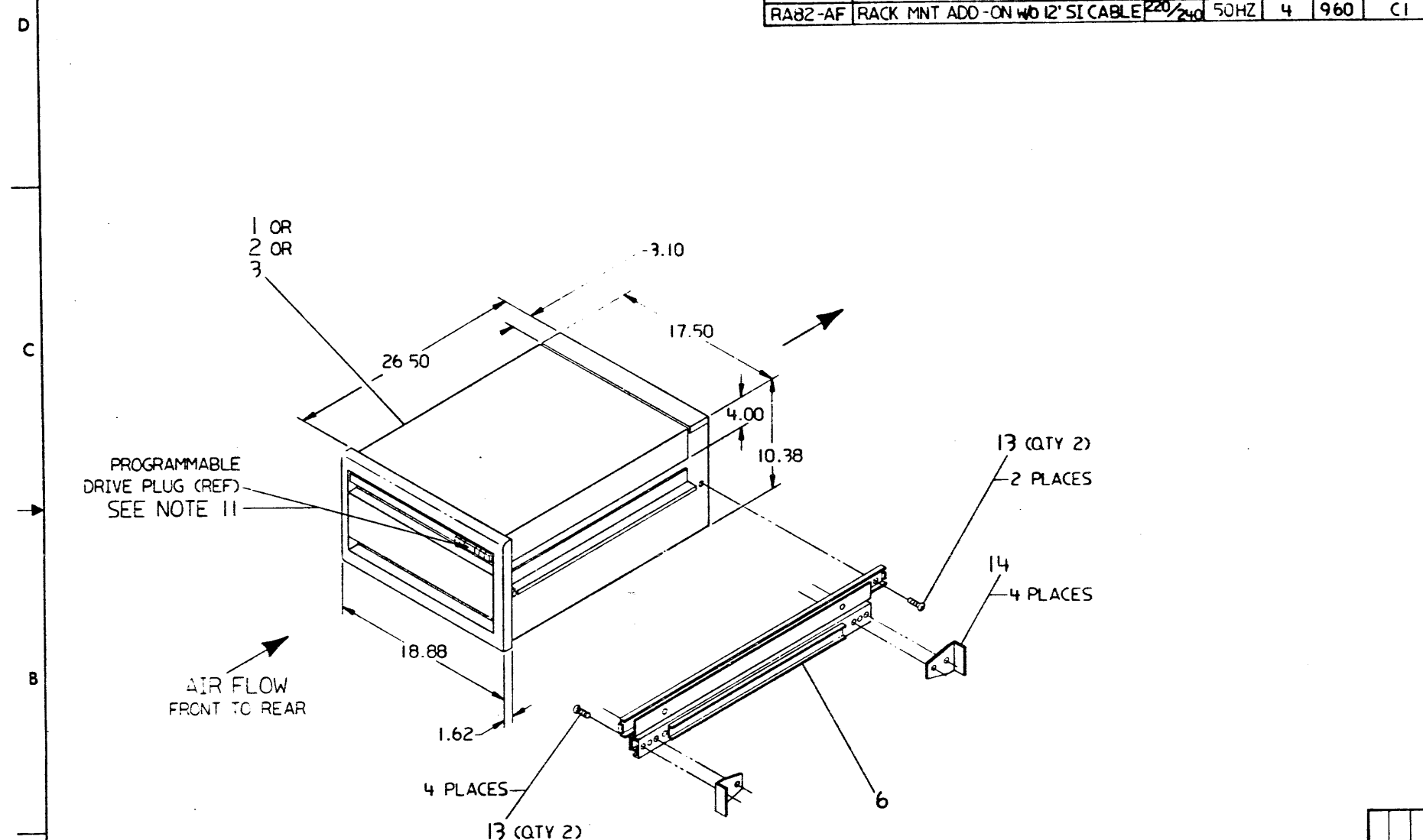
LEGEND						
PART NO.	VARIATION	VOLT	FREQ	AMPS	WATTS	PART REV
RA82-AA	RACK MNT ADD-ON DRIVE, 16 BIT	120	60HZ	8	960	CI
RA82-AD	RACK MNT ADD-ON DRIVE, 16 BIT	220/240	50HZ	4	960	CI
RA82-AE	RACK MNT ADD-ON W/O 12' SI CABLE	120	60HZ	8	960	CI
RA82-AF	RACK MNT ADD-ON W/O 12' SI CABLE	220/240	50HZ	4	960	CI

- NOTES:
- TO MOUNT AN RA82 DRIVE IN CABINET:
 - MOUNT BRACKETS AND SLIDES TO UPRIGHTS.
 - EXTEND SLIDES AS FAR AS POSSIBLE BY RELEASING LATCHES (SEE DETAIL D, SHEET 5).
 - PLACE DRIVE ON SLIDES AND PUSH BACK UNTIL ENDS OF RAILS FIT UNDER TABS ON SLIDES AND LATCHES ENGAGE.
 - SECURE DRIVE TO SLIDES USING SCREWS SUPPLIED (SEE DETAIL D, SHEET 5).
 - TO REMOVE DRIVE, EXTEND SLIDES FULLY, REMOVE SCREWS, RELEASE LATCHES AND LIFT OFF.
 - ~~OPTIONAL CABLE ROUTING WITHIN CHANNEL UPRIGHTS: USE CAUTION TO PREVENT CATCHING CABLES BETWEEN REAR OF DRIVE AND CABINET COMPONENTS.~~
 - WHEN TWO OR MORE RA82'S ARE MOUNTED IN A CABINET, THE POSITION OF THE SLIDE BRACKETS MUST BE ADJUSTED SO THE BEZELS ARE PARALLEL AND ALIGNED VERTICALLY.
 - ~~SERIAL AND POWER LABEL (ITEM 11) TO BE COMPLETED ACCORDING TO LABEL INFORMATION BLOCK (SHEET 1). LABEL ON SHEET 1 SHOWS MODEL RA82-AA AS AN EXAMPLE ONLY.~~
 - FOR COMPLETE PARTS LISTS, INSTRUCTIONS AND HARDWARE TO MOUNT THESE PARTS, SEE THEIR ASSOCIATED ASSEMBLY DRAWINGS.

NOTES CONTINUED ON SHEET 2

CAUTION: OFF-SHEET PARTS LIST EXISTS. SEE K-PL-RA82-A-DBP (28156).

TOP DOCUMENT: K-DD-RA82-A-DBU



SLIDE INSTALLATION DRAWING

REV	DATE	BY	CHKD	DESCRIPTION
1	10/23/74	J.H.		RELEASED TO PRODUCTION
2	10/23/74	J.H.		ECO CONTROL
3	10/23/74	J.H.		ECO CONTROL
4	10/23/74	J.H.		ECO CONTROL

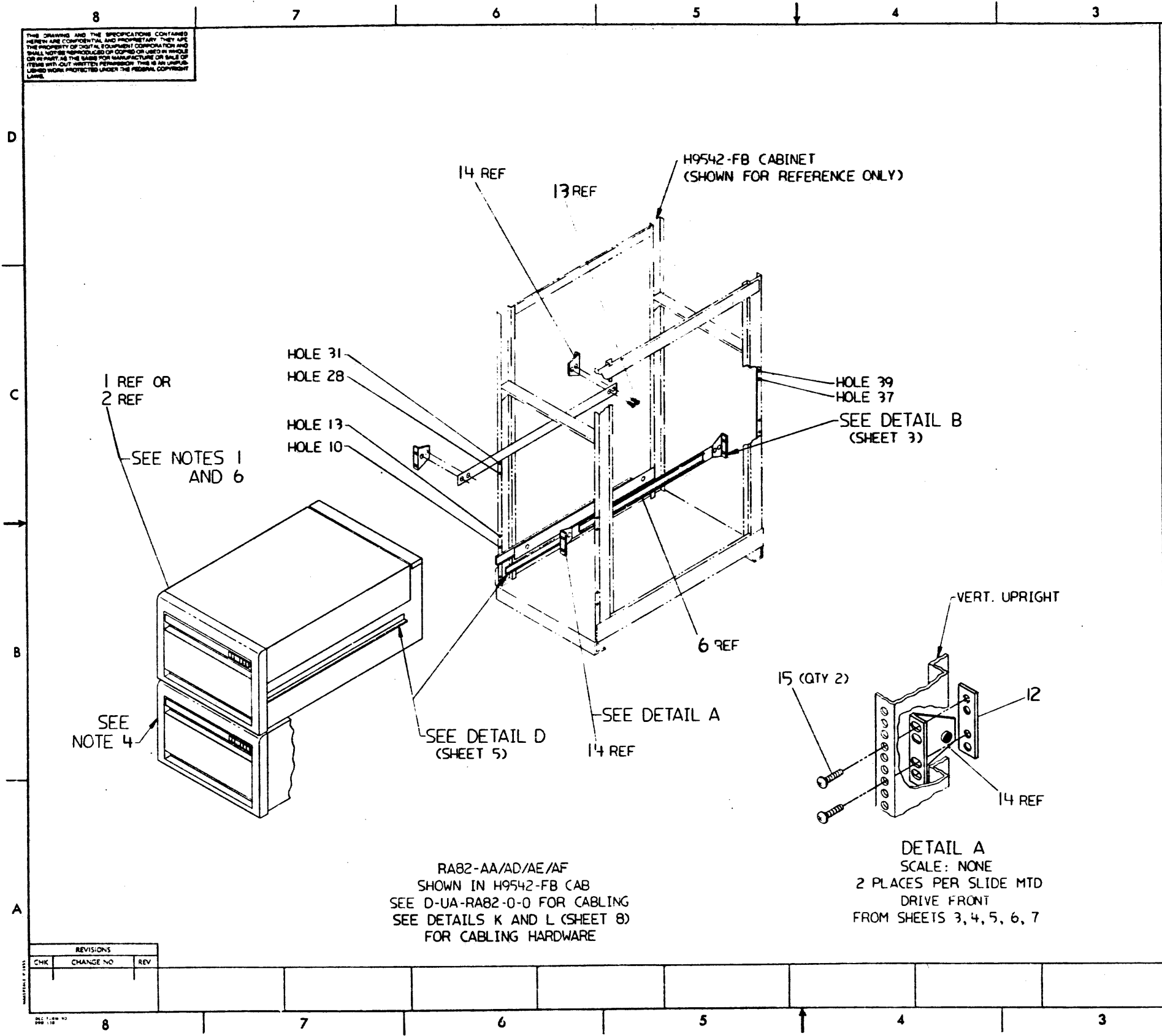
DESCRIPTION		DRAWING NO		PART NO		ITEM NO
UNLESS OTHERWISE SPECIFIED DIMENSIONS ARE IN INCHES AND THE FOLLOWING TOLERANCES APPLY (PER DEC STD 114)						
DIMENSION RANGE IN INCHES	OVER	OVER	OVER	OVER	OVER	OVER
	TO .125	TO .125	TO .250	TO .250	TO .500	TO .500
APPLICABLE DIMENSION RANGE	0.0001 - 0.0004	0.0005 - 0.0009	0.0010 - 0.0024	0.0025 - 0.0049	0.0050 - 0.0124	0.0125 - 0.0249
ANGLES	± 0' 30"					
SURFACE QUALITY	✓					
QUANTITY & VARIATION	X ± 1	XX ± .32	XXX ± .005			
THIRD ANGLE PROJECTION	DATE	DATE	DATE	DATE	DATE	DATE
DESIGNED BY	DATE	DATE	DATE	DATE	DATE	DATE
DESCRIPTION	DATE	DATE	DATE	DATE	DATE	DATE
REVISIONS	DATE	DATE	DATE	DATE	DATE	DATE
MATERIAL	SEE PARTS LIST					
FINISH	NONE					
TITLE	RA82 ADD-ON INSTALLATION DWG			DOCUMENT NUMBER		
SIZE	CODE	NUMBER		SCALE	SHEET	TOTAL SHEETS
DUA		RA82-A-0		NONE	1	10

DUA RA82-A-0

D-WA-RA82-A-0

JH

THIS DRAWING AND THE SPECIFICATIONS CONTAINED HEREIN ARE CONFIDENTIAL AND PROPRIETARY. THEY ARE THE PROPERTY OF DIGITAL EQUIPMENT CORPORATION AND SHALL NOT BE REPRODUCED OR COPIED OR USED IN WHOLE OR IN PART AS THE BASIS FOR MANUFACTURE OR SALE OF ITEMS WITHOUT WRITTEN PERMISSION. THIS IS AN UNPUBLISHED WORK PROTECTED UNDER THE FEDERAL COPYRIGHT LAWS.



NOTES CONTINUED

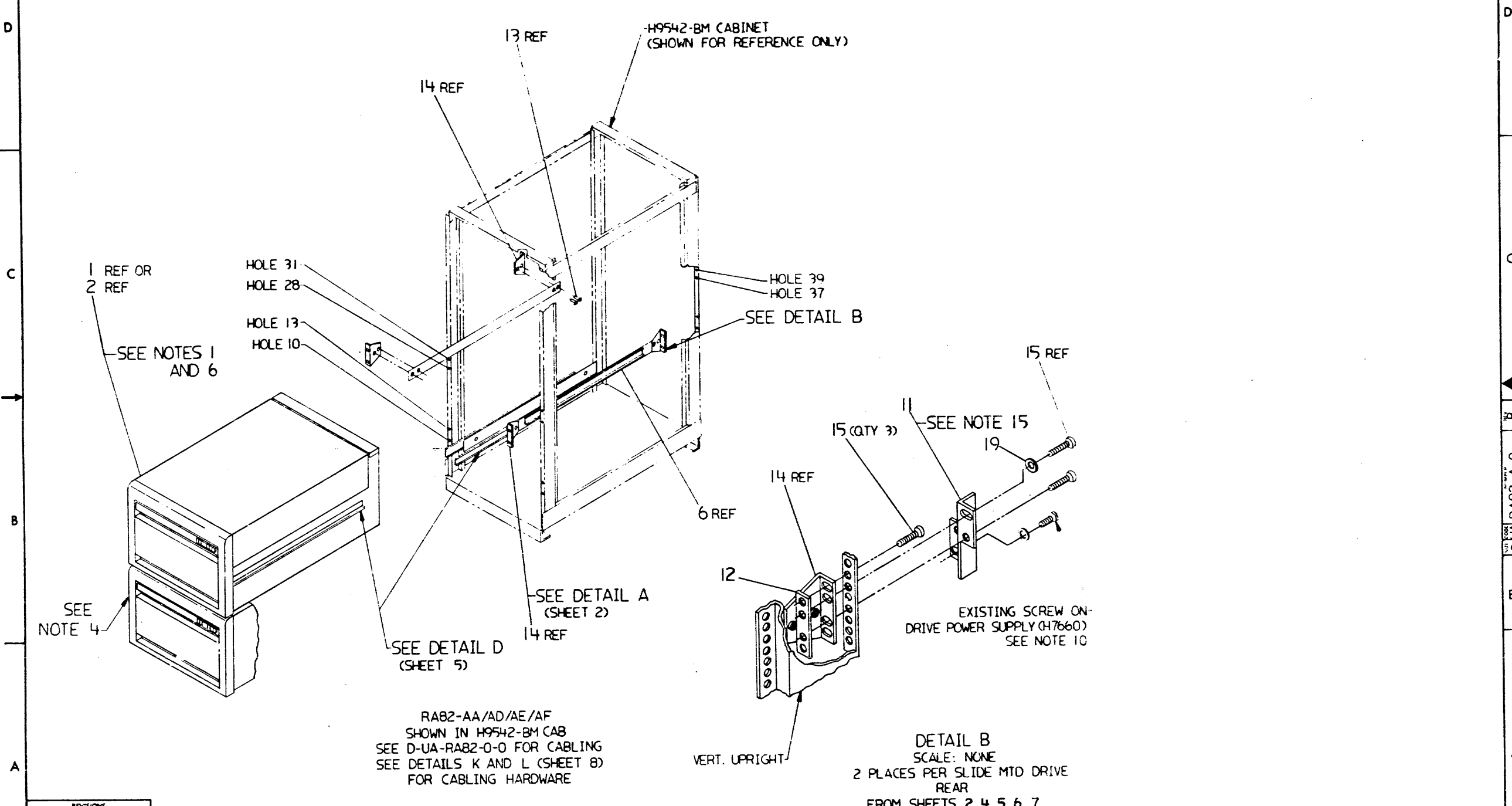
7. THE FOLLOWING SEQUENCE CABLES ARE AVAILABLE IF REQUIRED:
- | LENGTH | PART NUMBER |
|--------|-------------|
| 8 FT | 701969C-08 |
| 12 FT | 7019690-12 |
| 25 FT | 7019690-25 |
| 50 FT | 7019690-50 |
| 80 FT | 7019690-80 |
8. THE FOLLOWING SI CABLES ARE AVAILABLE IF REQUIRED:
- | LENGTH | PART NUMBER |
|--------|-------------|
| 12 FT | BC26V-12 |
| 25 FT | BC26V-25 |
| 50 FT | BC26V-50 |
| 80 FT | BC26V-80 |
9. LOCATE CABLE TIES (ITEM 16) APPROXIMATELY SIX INCHES APART. USE MAXIMUM SETTING ON THOMAS & BETTS TOOL NO. WT193 OR EQUIVALENT.
10. USE EXISTING POWER SUPPLY HARDWARE. ATTACH TO ESD BRACKET (ITEM 11).
11. REFER TO THE RAB2 DISK DRIVE USER'S GUIDE (PART NO. EK-ORAB2-UG) FOR INSTALLATION OR PROCEDURE.
12. ASSEMBLY CRITERIA PER DEC STD 116, SEC. 5.
13. GENERAL TORQUE REQUIREMENTS PER A-SP-7665328-0-0.
14. DRIVE SPINDLE SEQUENCE PLUG (ITEM 9) INSTALLS AT 'IN' POSITION.
15. AT LEAST ONE (1) BRACKET TO REMAIN CONNECTED TO REAR OF DRIVE WHEN DRIVE IS OPERATIONAL (FUNCTIONAL ELECTROSTATIC DISCHARGE PATH).

REVISIONS		
CHK	CHANGE NO	REV

TITLE	RAB2 ADD-ON INSTALLATION DWG	SIZE/CODE	D UA RA82-A-0	NUMBER	B	REV	B
SCALE	NONE	SHEET	2	OF	10	DIST	

D-UA-RA82-A-0 28

THIS DRAWING AND THE SPECIFICATIONS CONTAINED HEREIN ARE CONFIDENTIAL AND PROPRIETARY. THEY ARE THE PROPERTY OF DIGITAL EQUIPMENT CORPORATION AND SHALL NOT BE REPRODUCED OR COPIED OR USED IN WHOLE OR IN PART AS THE BASIS FOR MANUFACTURE OR SALE OF ITEMS WITHOUT WRITTEN PERMISSION. THIS IS AN UNPUBLISHED WORK PROTECTED UNDER THE FEDERAL COPYRIGHT LAWS.

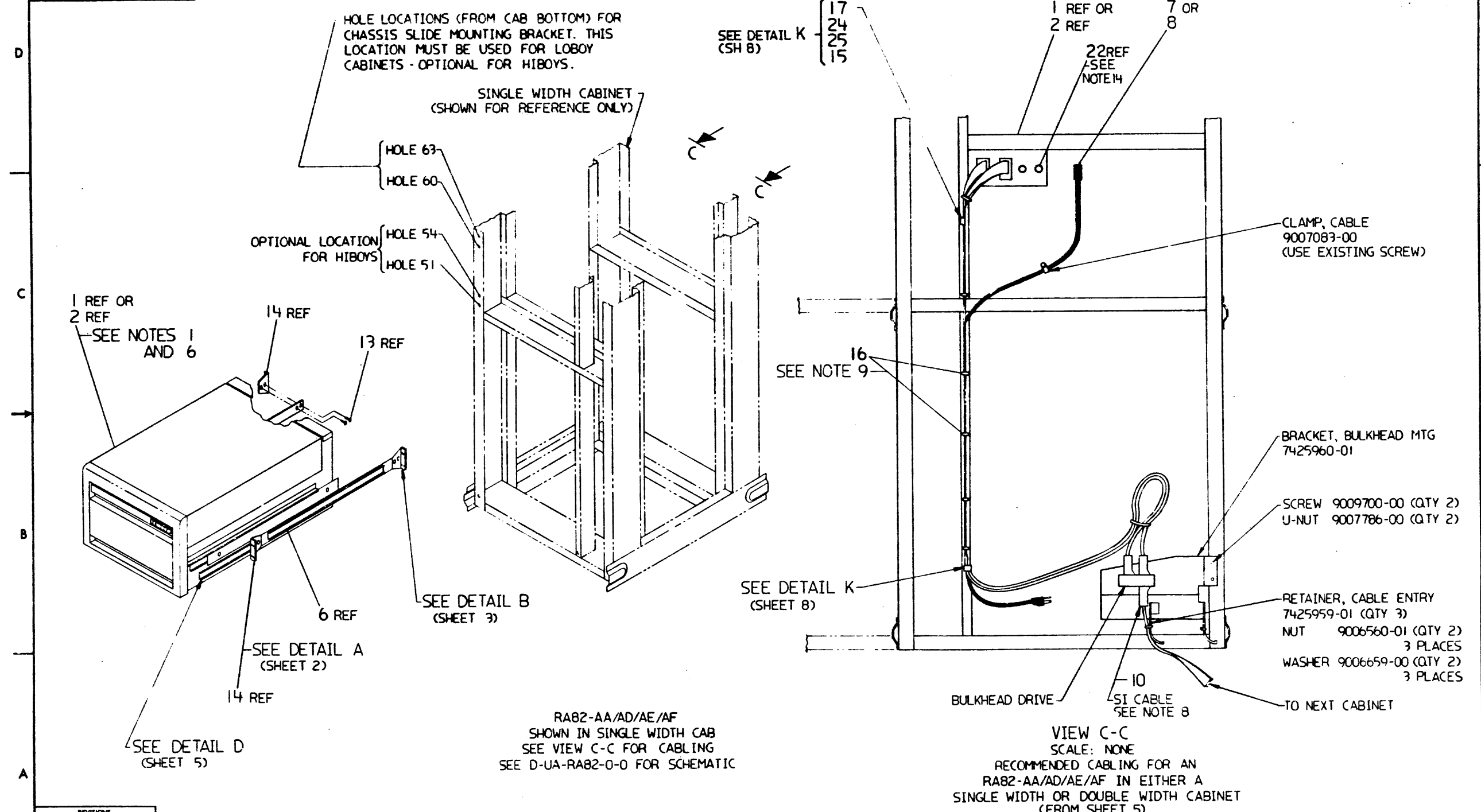


REVISIONS		
CHK	CHANGE NO	REV

TITLE	RAB2 ADD-ON INSTALLATION DWG	SIC CODE	D UA	NUMBER	RA82-A-0	REV.	B
SCALE	NONE	SHEET	3	OF	10	DIST	

D-UA-RA82-A-0 3 of 8

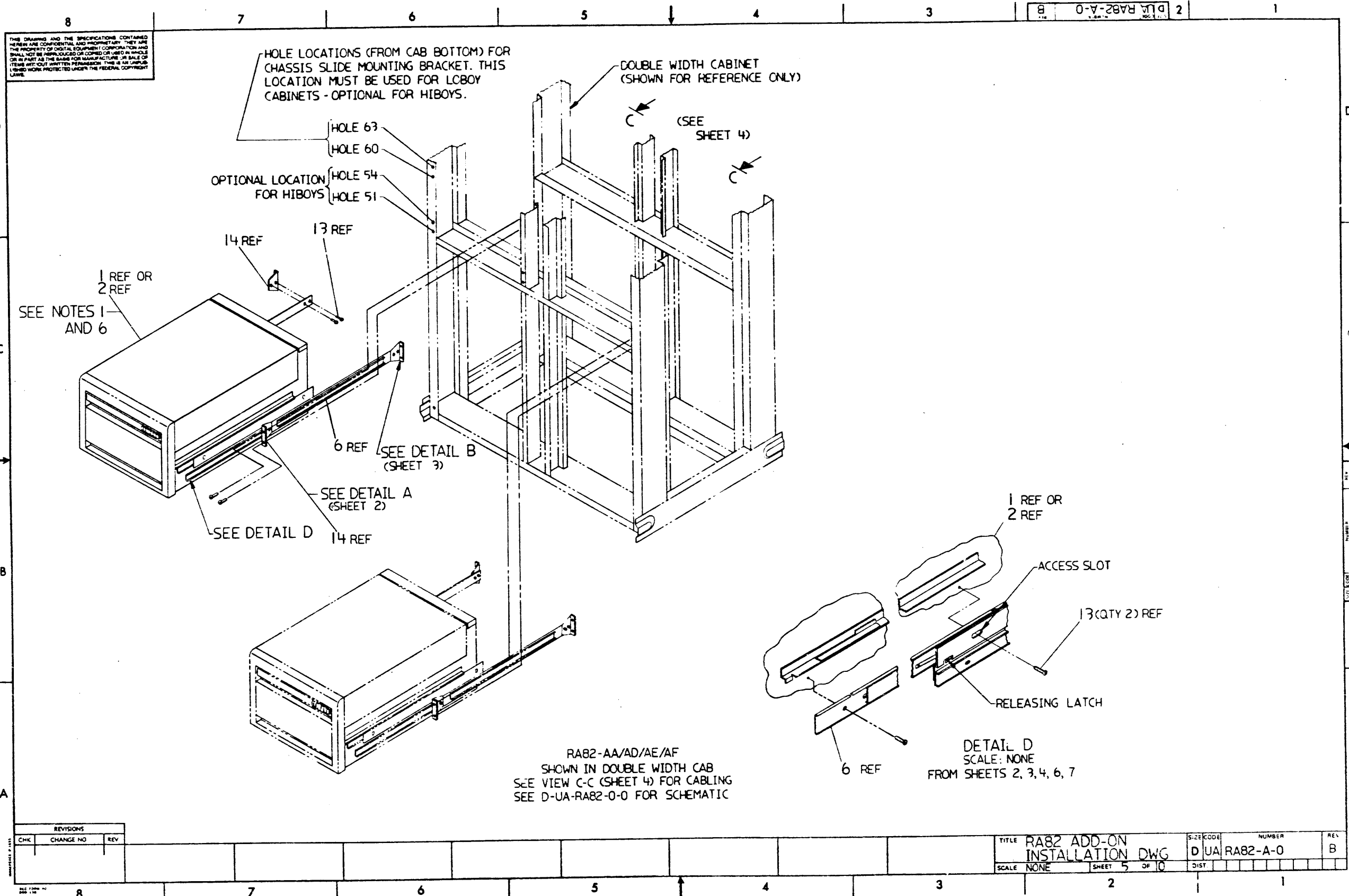
THIS DRAWING AND THE SPECIFICATIONS CONTAINED HEREIN ARE CONFIDENTIAL AND PROPRIETARY. THEY ARE THE PROPERTY OF DIGITAL EQUIPMENT CORPORATION AND SHALL NOT BE REPRODUCED, COPIED, OR USED IN WHOLE OR IN PART AS THE BASIS FOR MANUFACTURE OR SALE OF ITEMS IN ANY MANNER WITHOUT WRITTEN PERMISSION. THIS IS AN UNCLASSIFIED WORK PROTECTED UNDER THE APPLICABLE COPYRIGHT LAWS.



REVISIONS		
CHK	CHANGE NO	REV

8	7	6	5	4	3	2	1		
TITLE RAB2 ADD-ON INSTALLATION DWG							SIZE CODE D U A	NUMBER RAB2-A-0	REV. B
SCALE NONE							SHEET 4 OF 10	DIST	

D-UA-RAB2-A-0 4 of 6

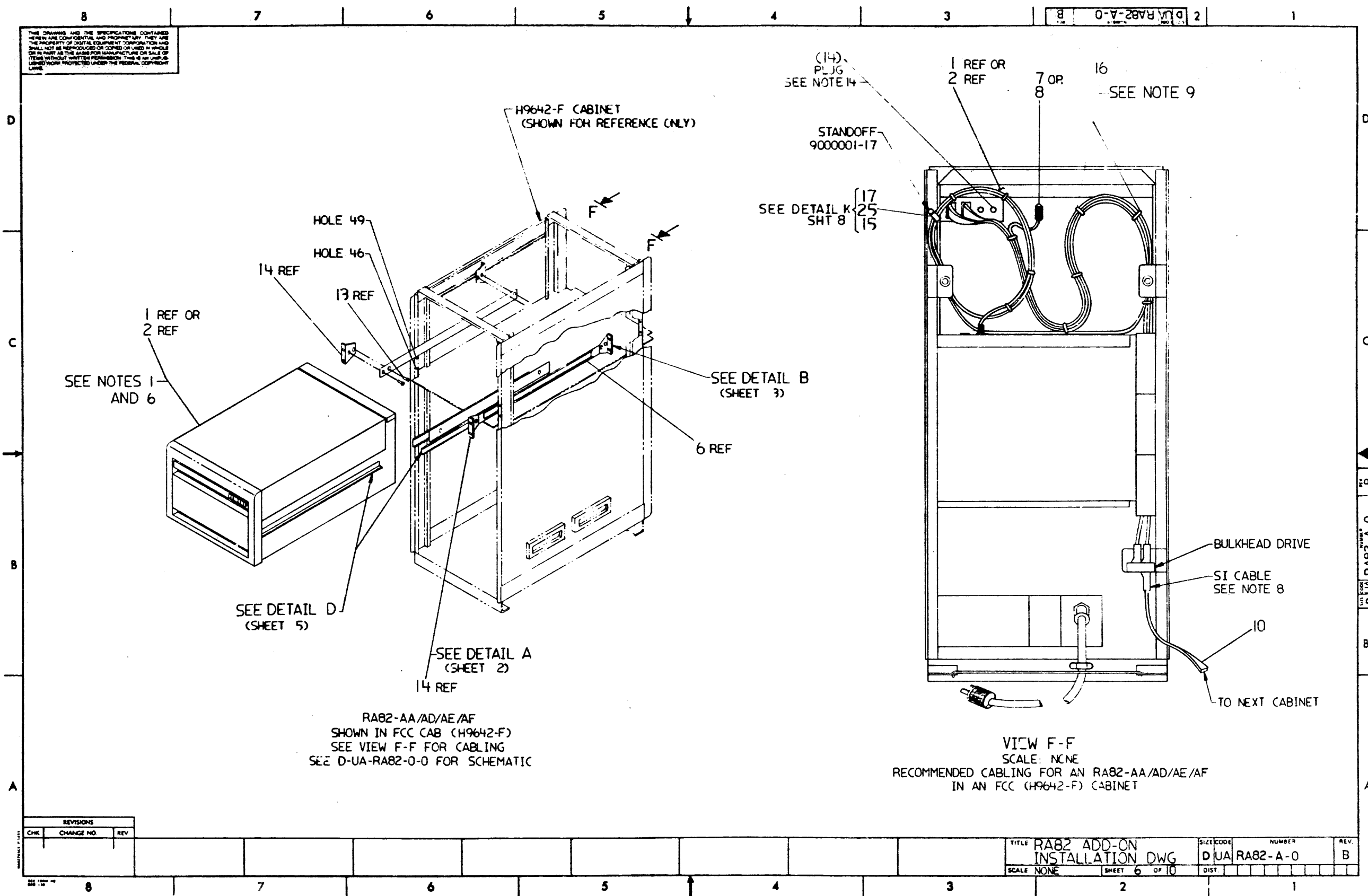


REVISIONS		
CHK	CHANGE NO	REV

TITLE	RAB2 ADD-ON INSTALLATION DWG	SIZE/CODE	NUMBER	REV
SCALE	NONE	SHEET	5 OF 10	B
DIST	D UA		RA82-A-0	

D-UA-RA82-A-0 58

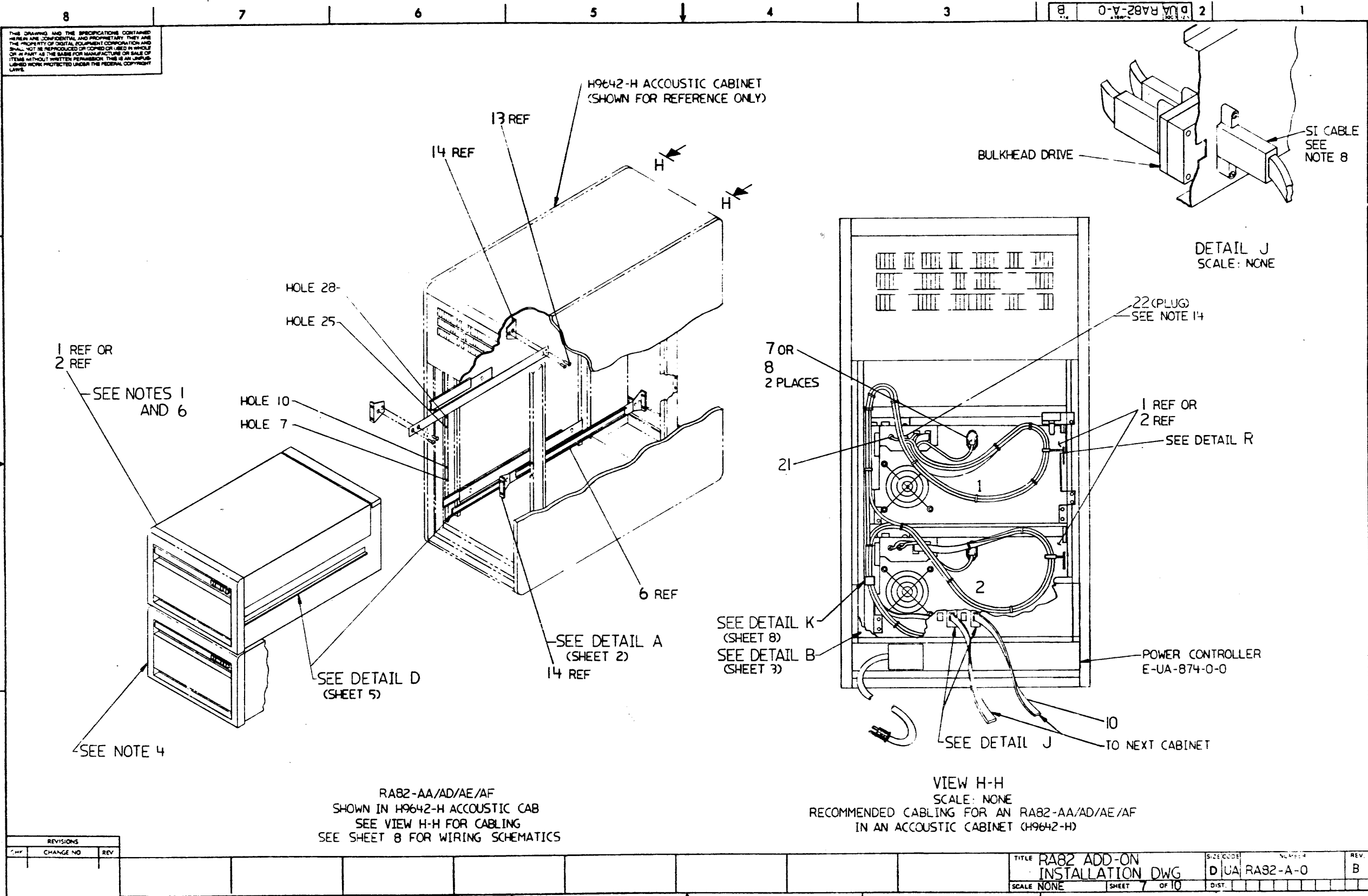
THE DRAWING AND THE SPECIFICATIONS CONTAINED HEREIN ARE CONFIDENTIAL AND PROPRIETARY. THEY ARE THE PROPERTY OF DIGITAL EQUIPMENT CORPORATION AND SHALL NOT BE REPRODUCED OR COPIED IN WHOLE OR IN PART AS THE BASIS FOR MANUFACTURE OR SALE OF ITEMS WITHOUT WRITTEN PERMISSION. THIS IS AN UNCLASSIFIED WORK PROTECTED UNDER THE FEDERAL COPYRIGHT LAWS.



REVISIONS		
CHK	CHANGE NO	REV

TITLE	RAB2 ADD-ON INSTALLATION DWG	SIZE CODE	D UA	NUMBER	RAB2-A-0	REV.	B
SCALE	NONE	SHEET	6	OF	10	DIST.	

D-UA-RAB2-A-0 6 of 8

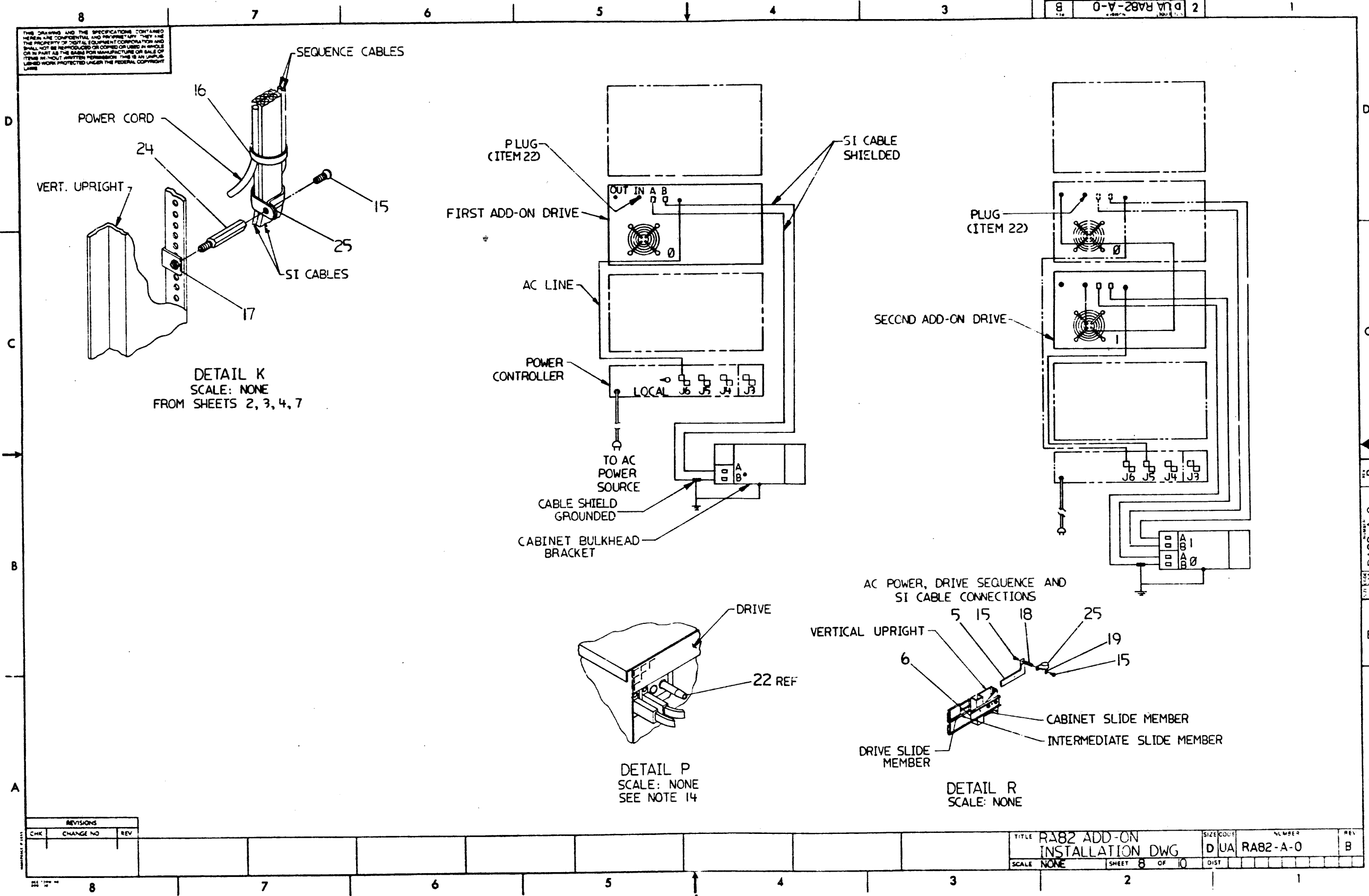


REVISIONS		
NO.	CHANGE NO.	REV.

TITLE	RAB2 ADD-ON INSTALLATION DWG	SHEET CODE	D UA RAB2-A-0	REV.	B
SCALE	NONE	SHEET	7 OF 10	DIST.	

D-UA-RAB2-A-0 7 of 8

THE DRAWING AND THE SPECIFICATIONS CONTAINED HEREIN ARE CONFIDENTIAL AND PROPRIETARY. THEY ARE THE PROPERTY OF DIGITAL EQUIPMENT CORPORATION AND SHALL NOT BE REPRODUCED OR COMPILED IN WHOLE OR IN PART AS THE BASIS FOR MANUFACTURE OR SALE OF ITEMS WITHOUT WRITTEN PERMISSION. THIS IS AN UNCLASSIFIED WORK PROTECTED UNDER THE FEDERAL COPYRIGHT LAWS.



DETAIL K
SCALE: NONE
FROM SHEETS 2, 3, 4, 7

DETAIL P
SCALE: NONE
SEE NOTE 14

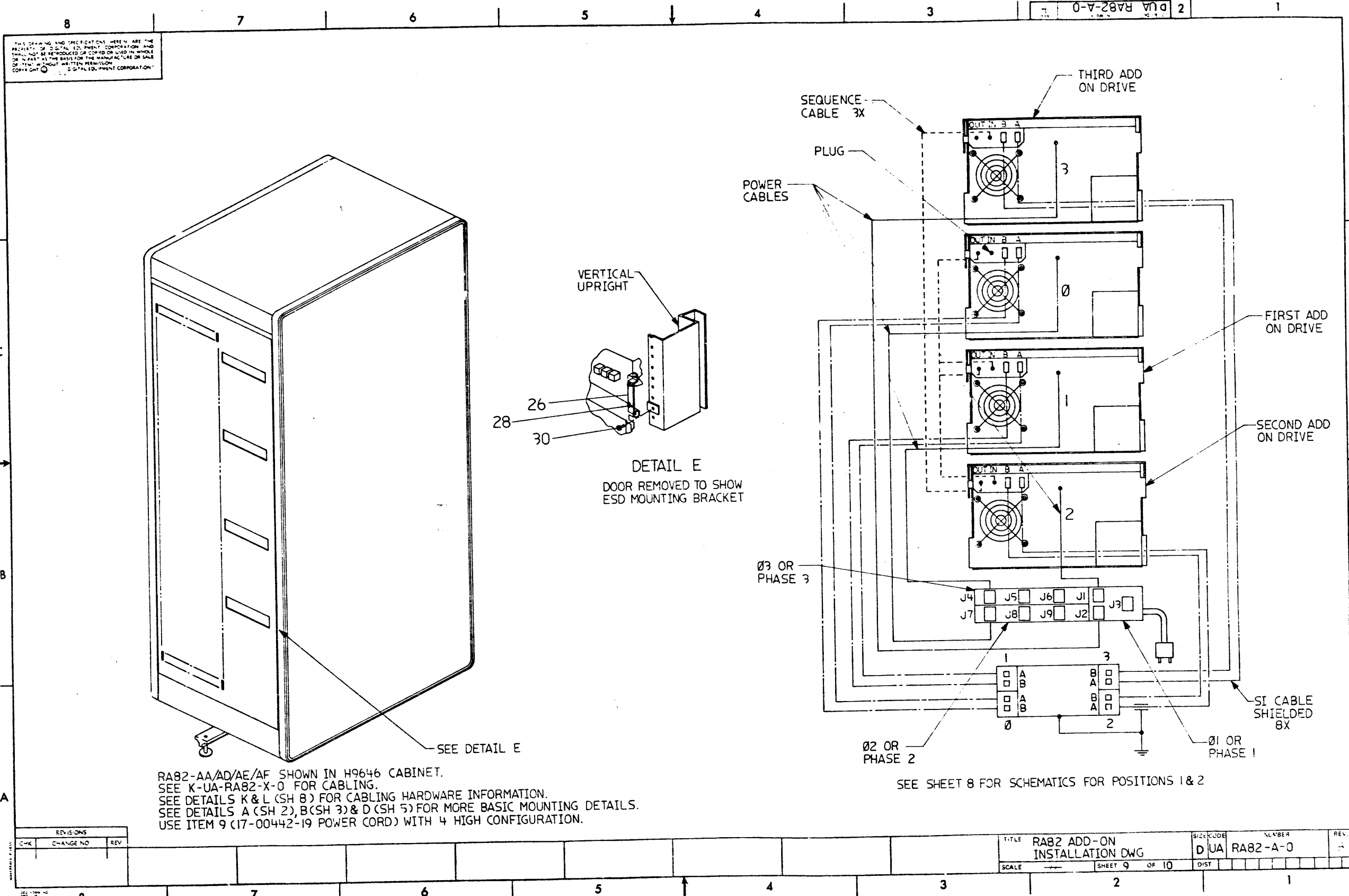
DETAIL R
SCALE: NONE

REVISIONS		
CHK	CHANGE NO	REV

TITLE	R82 ADD-ON INSTALLATION DWG	SIZE CODE	D UA	NUMBER	R82-A-0	REV	B
SCALE	NONE	SHEET	8	OF	10	DIST	

D-UA-R82-A-0

B&B



THIS DRAWING AND SPECIFICATIONS HEREIN ARE THE PROPERTY OF DIGITAL EQUIPMENT CORPORATION AND SHALL NOT BE REPRODUCED OR COPIED OR USED IN WHOLE OR IN PART AS THE BASIS FOR THE MANUFACTURE OR SALE OF ITEMS WITHOUT WRITTEN PERMISSION OF DIGITAL EQUIPMENT CORPORATION.

RAB2-AA/AD/AE/AF SHOWN IN H9646 CABINET.
 SEE K-UA-RAB2-X-0 FOR CABLING.
 SEE DETAILS K & L (SH 8) FOR CABLING HARDWARE INFORMATION.
 SEE DETAILS A (SH 2), B (SH 3) & D (SH 5) FOR MORE BASIC MOUNTING DETAILS.
 USE ITEM 9 (17-00442-19 POWER CORD) WITH 4 HIGH CONFIGURATION.

REVISIONS		
CHK	CHANGE NO	REV

TITLE	RAB2 ADD-ON INSTALLATION DWG	SIZE/CLD	D UA	NUMBER	RAB2-A-0	REV.	
SCALE		SHEET	9	OF	10	DIST	

D-UA-RAB2-A-0

9 of 8

THIS DRAWING AND THE SPECIFICATIONS CONTAINED HEREIN ARE CONFIDENTIAL AND PROPRIETARY, THEY ARE THE PROPERTY OF DIGITAL EQUIPMENT CORPORATION AND SHALL NOT BE REPRODUCED OR COPIED OR USED IN WHOLE OR IN PART AS THE BASIS FOR THE MANUFACTURE OR SALE OF ITEMS WITHOUT WRITTEN PERMISSION. THIS IS AN UNPUBLISHED WORK PROTECTED UNDER THE FEDERAL COPYRIGHT LAWS.

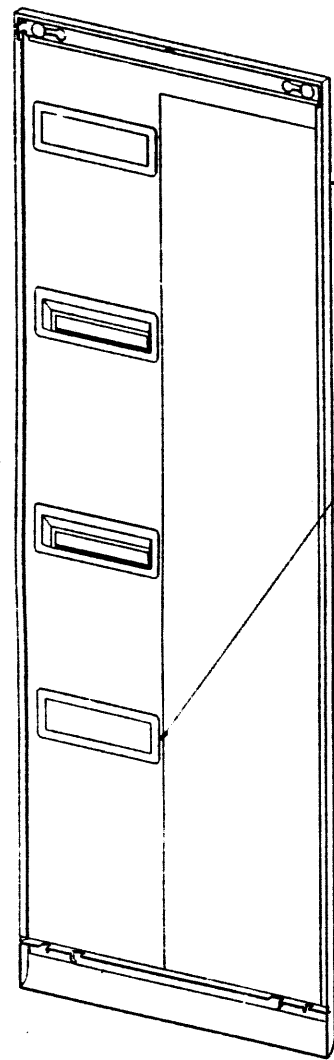


FIGURE 1

FRONT DOOR ASSEMBLY (REAR VIEW)

BEZEL BLANKING PLATE

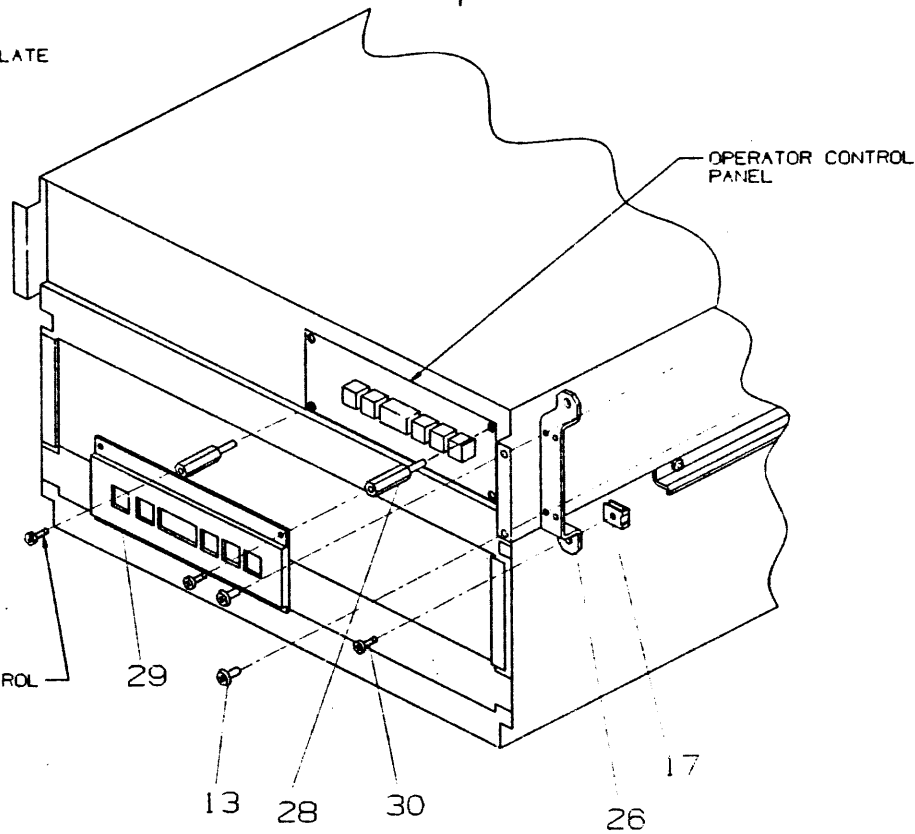


FIGURE 2

NOTES: (CONTINUED)

18. RELEASE THE SLIDE LATCHES AND PUSH THE DRIVE ALMOST ALL THE WAY BACK INTO THE CABINET. THE LOWER HOLES ON EACH ESD BRACKET WILL LINE UP WITH A HOLE ON THE CABINET UPRIGHT; INSTALL ITEM 17, "U" NUT, IN EACH OF THESE HOLES. THE THREADED SIDE OF THE "U" NUT GOES TO THE INSIDE OF THE UPRIGHT.
19. PUSH THE DRIVE ALL THE WAY BACK AND ATTACH THE ESD BRACKETS TO THE UPRIGHTS WITH ITEM 30, TRUSS HEAD SCREWS, ONE ON EACH SIDE. TIGHTEN THE ESD BRACKET SCREWS (ITEM 13) LEFT LOOSE IN STEP 17).
20. RETRACT THE STABILIZING FOOT.
21. TURN THE CIRCUIT BREAKER FOR THE CABINET TO THE "ON" POSITION, THEN POWER THE DRIVES.
22. REPLACE THE REAR BUSTLE DOOR.
23. REPLACE FRONT PANEL ASSEMBLY.
24. REFER TO THE SERVICE MANUAL INSTRUCTIONS AND SPIN UP THE DRIVES.

NOTES:

INSTRUCTIONS FOR INSTALLING AN "ADD ON" DRIVE IN AN SA482

1. REFER TO THE SERVICE MANUAL INSTRUCTIONS AND REMOVE THE RAB2-AA FROM ITS CARTON.
2. DEPRESS THE "A" AND "B" ROPT BUTTONS ON THE OPERATOR CONTROL PANELS (OCP) TO THE "OUT" POSITION ON EACH DRIVE IN THE SA482-XX.
3. SPIN DOWN THE STORAGE ARRAY BY DEPRESSING THE "RUN/STOP" BUTTONS ON THE OCPs TO THE "OUT" POSITION.
4. REMOVE THE REAR DOOR FROM THE CABINET.
5.
 CAUTION
 BEFORE PROCEEDING, TURN OFF THE AC CIRCUIT BREAKER FOR EACH DRIVE, AND FOR THE CABINET.
6. REMOVE THE FRONT PANEL ASSEMBLY FROM THE CABINET.
7. CAREFULLY PRY OFF THE APPROPRIATE BEZEL BLANKING PLATE(S) (OR REMOVE SCREWS) FROM INSIDE THE FRONT PANEL ASSEMBLY (FIG 1).
8. PULL OUT THE FRONT STABILIZING BAR AT THE BOTTOM OF THE CABINET TO ITS FULLY EXTENDED POSITION.
9. REFER TO THE SERVICE MANUAL INSTRUCTIONS, AND INSTALL THE SLIDES AND ADD-ON DRIVE(S) IN THE REQUIRED POSITION(S) IN THE CABINET. DO NOT INSTALL THE ESD BRACKETS AND HARDWARE AT THE REAR.
10. REFER TO THE SERVICE MANUAL INSTRUCTIONS, OPEN THE LOGIC COVER, AND REMOVE PACKING FOAM ETC, AND PREPARE DRIVE FOR SPIN-UP.
11. WITH THE LOGIC COVER OPEN, REMOVE AND DISCARD THE SEVEN SCREWS THAT HOLD THE BEZEL IN PLACE.
12. REMOVE AND DISCARD THE BEZEL AND FILTER FOAM.
13. CLOSE AND LATCH THE LOGIC HOUSING.
14. REMOVE THE BOTTOM LEFT AND TOP RIGHT OCP MOUNTING SCREWS. (FIG 2).
15. INSTALL ITEM 28, STANDOFF, IN PLACE OF THE TWO SCREWS REMOVED IN STEP 14. NOTE: INSTALL STANDOFFS FINGER TIGHT; DO NOT USE WRENCH (FIG 2).
16. INSTALL ITEM 29, CONTROL PANEL COVER, USING THE TWO SCREWS REMOVED IN STEP 14. THE TEXTURED SURFACE OF THE COVER SHOULD BE TO THE FRONT (FIG 2).
17. ATTACH ITEM 26, ESD BRACKET, BEHIND THE VERTICAL FLANGE ON THE LOGIC HOUSING USING 8-32 SCREW ITEM 13. TWO BRACKETS (ONE ON EACH SIDE), TWO SCREWS PER BRACKET. DO NOT TIGHTEN THESE SCREWS. NOTE: ESD BRACKETS ALSO SERVE AS DRIVE RETAINER BRACKETS (FIG 2).

PLOT AT: 1.00

TITLE	SIZE	CODE	NUMBER	REV
RAB2 ADD-ON INSTALLATION DWG	D	UA	RAB2-A-0	B
MAG MEDIA FILE NAME: UA-RAB2-A-0.DWG		SCALE: NONE	SHEET 10 OF 10	

PARTS LIST

LINE ITEM	TOP DOCUMENT	PART NUMBER	MIN REV	DESCRIPTION	QUANTITY PER VARIATION/REVISION			
					AA C1	AD C1	AE C1	AF C1
1	D-AD-7021577-0-0	70-21577-01		DISK DRIVE 50 HZ	1	-	1	-
2	D-AD-7021577-0-0	70-21577-02		DISC DRIVE (50HZ,240V,16 BIT)	-	1	-	1
3		37-00588-02		PKG DISK DRIVE RA80/81 CUSTOMER	1	1	1	1
4	K-PL-7020194-0-DBP	70-20194-02	H	RA82 HARDWARE MOUNTING KIT	1	1	1	1
5	D-MD-7425326-0-0	74-25326-01	A	SPRING RETAINER CABLE	-	1	1	1
6		12-13686-00		CHASSIS SLIDE SET INCLUDED 1 L.H.	1	1	1	1
7		17-00083-23		PWR CORD,TE M.108IN,14-3,125V 15A	1	-	1	-
8		17-00083-24		PWR CORD,TERM.108IN,14-3,250V 6A	-	1	-	1
9		17-00442-19	B	PWR CORD,TERM 9' LG 15A	1	1	1	1
10		BC26V-12		SI CABLE,12FT,4 COAX SHIELDED	1	1	-	-
11	C-MD-7428330-0-0	74-28330-01	A	BRACKET,ESD	REF	REF	REF	REF
12	B-MD-7425168-0-0	74-25168-01	C	BAR, NUT	REF	REF	REF	REF
13		90-10174-01	C	SCREW,SEMS PAN PHIL 8-32	REF	REF	REF	REF
14	D-MD-7419261-0-0	74-19261-00		BRACKET CHASSIS SLIDE	REF	REF	REF	REF
15		90-00063-39	A	SCREW,THD RL, TRS,SERATD,F/METL	REF	REF	REF	REF
16		90-07032-00	D	TIE,CABLE BUNDL.DIA 0-1-3/4" X 7.3	REF	REF	REF	REF
17		90-07786-00	F	RETAINER,U-NUT 10-32X	REF	REF	REF	REF
18		90-07662-00	A	SPACER,THREADED HEX ALUM 10-32X	REF	REF	REF	REF
19		90-06664-00		WASHER,FLAT SST	REF	REF	REF	REF
20		90-10267-00	A	*** THIS ITEM IS NOT USED ***	-	-	-	-
21		70-19690-08		CABLE, DRIVE SEQ SHIELDED (8'-0")	REF	REF	REF	REF
22	K-MD-7019692-0-DBU	70-19692-01		PLUG	REF	REF	REF	REF
23				*** THIS ITEM IS NOT USED ***	-	-	-	-
24		90-00001-22	A	STANDOFF,MALE/FEMALE HEX 10-32 X	REF	REF	REF	REF
25		90-07088-00		CLAMP,CABLE,SCREW MTD. 11/16"	REF	REF	REF	REF
26	K-MD-7436472-0-DBU	74-36472-01		BRACKET,ESD,0.120 CRS	REF	REF	REF	REF
27		99-07030-02		SHEET,PE ANTISTATIC	A/R	A/R	A/R	A/R
28		90-00001-06		STANDOFF,MALE/FEMALE HEX 6-32 X	REF	REF	REF	REF
29	K-MD-7434388-0-DBU	74-34388-01		COVER,CONTROL PANEL	REF	REF	REF	REF
30		12-21368-02		SCREW,SEMS PAN PHIL 10-32	REF	REF	REF	REF

REVISION HISTORY		KPL MATRIX FORMAT SECTION A OF A		DRN: R. GEE	DIGITAL		
ECO NUMBER		REV	SECTION/VARIATION INDEX	DATE: 07-MAY-86	TITLE PARTS LIST		
JN	INITIAL RELEASE	A	[A] AA,AD,AE,AF	CHK'D: R. MICHAUD	RA82 ADD-ON INSTALLATION DWG		
JN	RA82-A-CX001	B	[B]	DATE: 07-MAY-86	DOCUMENT NUMBER		
	<i>J Nordberg 10 MAY 88</i>		[C]	DES.ENG: G. EASTMAN	SIZE	CODE	NUMBER
			[D]	DATE: 07-MAY-86	K	PL	RA82-A-DBP
			[E]	RESP.ENG.: J. NORDBERG	REV		
			[F]	DATE: 07-MAY-86	B		
			[H]	MFG.ENG: D. SAJDAK	RELEASE DATE: 05-MAY-88		
			[J]	DATE: 07-MAY-86	RELEASE STATUS: RELEASED		
BASIC PART NUMBER:		ASSEMBLY NUMBER:		TOP DOCUMENT NUMBER:		FILE NAME:	
RA82		D-UA-RA82-A-0		D-UA-RA82-A-0		Z8156B.PLS	
						EDIT #	
						1	
<p>"THIS DRAWING AND THE SPECIFICATIONS CONTAINED HEREIN ARE CONFIDENTIAL AND PROPRIETARY. THEY ARE THE PROPERTY OF DIGITAL EQUIPMENT CORPORATION AND SHALL NOT BE REPRODUCED OR COPIED OR USED IN WHOLE OR IN PART AS THE BASIS FOR THE MANUFACTURE OR SALE OF ITEMS WITHOUT WRITTEN PERMISSION. THIS IS AN UNPUBLISHED WORK PROTECTED UNDER THE FEDERAL COPYRIGHT LAWS."</p>							

6 MAY 88

AUTOMATED BY VAXKPL (V1.3)

PARTS LIST

SHEET A2 OF A2

LINE ITEM	TOP DOCUMENT	PART NUMBER	MIN REV	DESCRIPTION	QUANTITY PER VARIATION/REVISION			
					AA C1	AD C1	AE C1	AF C1

LEGEND	
1 GEN:	VARIATION
2 GEN:	PART NUMBER
3 GEN:	RA82-AA RACK MNT ADD-ON DRIVE, 16BIT, 120V, 60HZ
4 GEN:	RA82-AD RACK MNT ADD-ON DRIVE, 16 BIT, 220/240V, 50HZ
5 GEN:	RA82-AE RACK MNT ADD-ON W/O 12' SI CABLE, 120V, 60HZ
6 GEN:	RA82-AF RACK MNT ADD-ON W/O 12' SI CABLE, 220/240V, 50HZ

D	I	G	I	T	A	L	TITLE	SECTION A OF A	SIZE	CODE	DOCUMENT NUMBER	REV
							RA82 ADD-ON INSTALLATION DWG		K	PL	RA82-A-DBP	B

AUTOMATED BY VAXKPL (V1.3)

PARTS LIST

SHEET A1 OF A1
QUANTITY PER VARIATION/REVISION

LINE ITEM	TOP DOCUMENT	PART NUMBER	MIN REV	DESCRIPTION	01 H3	02 H1
1	1 D-MD-7425326-0-0	74-25326-01	A	SPRING RETAINER CABLE	1	1
2	2 D-MD-7419261-0-0	74-19261-00		BRACKET CHASSIS SLIDE	4	4
3	3 D-IA-7019690-0-0	70-19690-08		CABLE, DRIVE SEQ SHIELDED (8'-0")	1	1
4	4 C-MD-7428330-0-0	74-28330-01	A	BRACKET,ESD	2	2
5	5 C-IA-7019692-0-0	70-19692-01		PLUG	1	1
6	6 B-MD-7425168-0-0	74-25168-01		BAR, NUT	4	4
7	7	99-06557-28	A	BAG,POLY RECLOSE 4 MIL THK CLEAR	1	1
8	8			*** THIS ITEM IS NOT USED ***	-	-
9	9	90-10174-01	C	SCREW,SEMS PAN PHIL 8-32	12	16
10	10	90-00063-39	A	SCREW,THD RL, TRS,SERATD,F/METL	13	13
11	11	90-07088-00		CLAMP,CABLE,SCREW MTD. 11/16"	3	3
12	12	90-07032-00	D	TIE,CABLE BUNDL.DIA 0-1-3/4" X 7.3	25	25
13	13	90-C6664-00		WASHER,FLAT SST	5	5
14	14	90-07786-00	F	RETAINER,U-NUT 10-32X	1	5
15	15	90-00001-22	A	STANDOFF,MALE/FEMALE HEX 10-32 X	3	3
16	16			*** THIS ITEM IS NOT USED ***	-	-
17	17			*** THIS ITEM IS NOT USED ***	-	-
18	18	36-15710-01		LABEL,DESTRUX FORM FEED	1	1
19	19	90-07662-00		SPACER,THREADED HEX ALUM 10-32X	1	1
20	20	12-19711-02		WASHER,SHOULDER NYLON	10	10
21	21 K-MD-7436472-0-DBU	74-36472-01	A	BRACKET,ESD,0.120 CRS	-	2
22	22	12-21368-02		SCREW,SEMS PAN PHIL 10-32	-	4
23	23 K-MD-7434388-0-DBU	74-34388-01		COVER,CONTROL PANEL	-	1
24	24	90-00001-06		STANDOFF,MALE/FEMALE HEX 6-32 X	-	2

1 GEN: ** NO ASSEMBLY DRAWING EXISTS FOR THIS DOCUMENT **
 2 GEN: LEGEND
 3 GEN: PART NO. VARIATION
 4 GEN: 7020194-01 RA81/RA80 HARDWARE MOUNTING KIT
 5 GEN: 7020194-02 RA82 HARDWARE MTG KIT SLIDE

REVISION HISTORY		KPL MATRIX FORMAT		SECTION A OF A		DRN: K. DAVIS		DIGITAL	
ENG	ECO NUMBER	REV	SECTION/VARIATION INDEX	CHK'D:	DATE:	TITLE	PARTS LIST		
JN	RA80-A-CX005	E	[A] 01,02	D. SAJDAK	10-JAN-83	RA8X HARDWARE			
JN	RA80-CX012	F	[B]	D. SAJDAK	11-JAN-83	MOUNTING KIT			
JN	RA81-A-CX007	H	[C]	J. NORDBERG	10-JAN-83	DOCUMENT NUMBER			
JN	RA81-H-CX001	J	[D]	J. WARDELL	10-JAN-83	SIZE	CODE	NUMBER	REV
JN	RA82-A-CX001	K	[E]	J. WARDELL	10-JAN-83	K	PL	7020194-0-DBP	K
			[F]	D. SADJAK	11-JAN-83	RELEASE DATE: 05-MAY-88			
			[H]	D. SADJAK	11-JAN-83	RELEASE STATUS: RELEASED			
			[J]						
BASIC PART NUMBER:		ASSEMBLY NUMBER:		TOP DOCUMENT NUMBER:		FILE NAME:		EDIT #	
7020194		D-UA-RA80-0-0		K-DD-RA80-0-DBU		Z6103K.PLS		2	

APM
6 MAY 88
J. Wardell
20 MAY 88

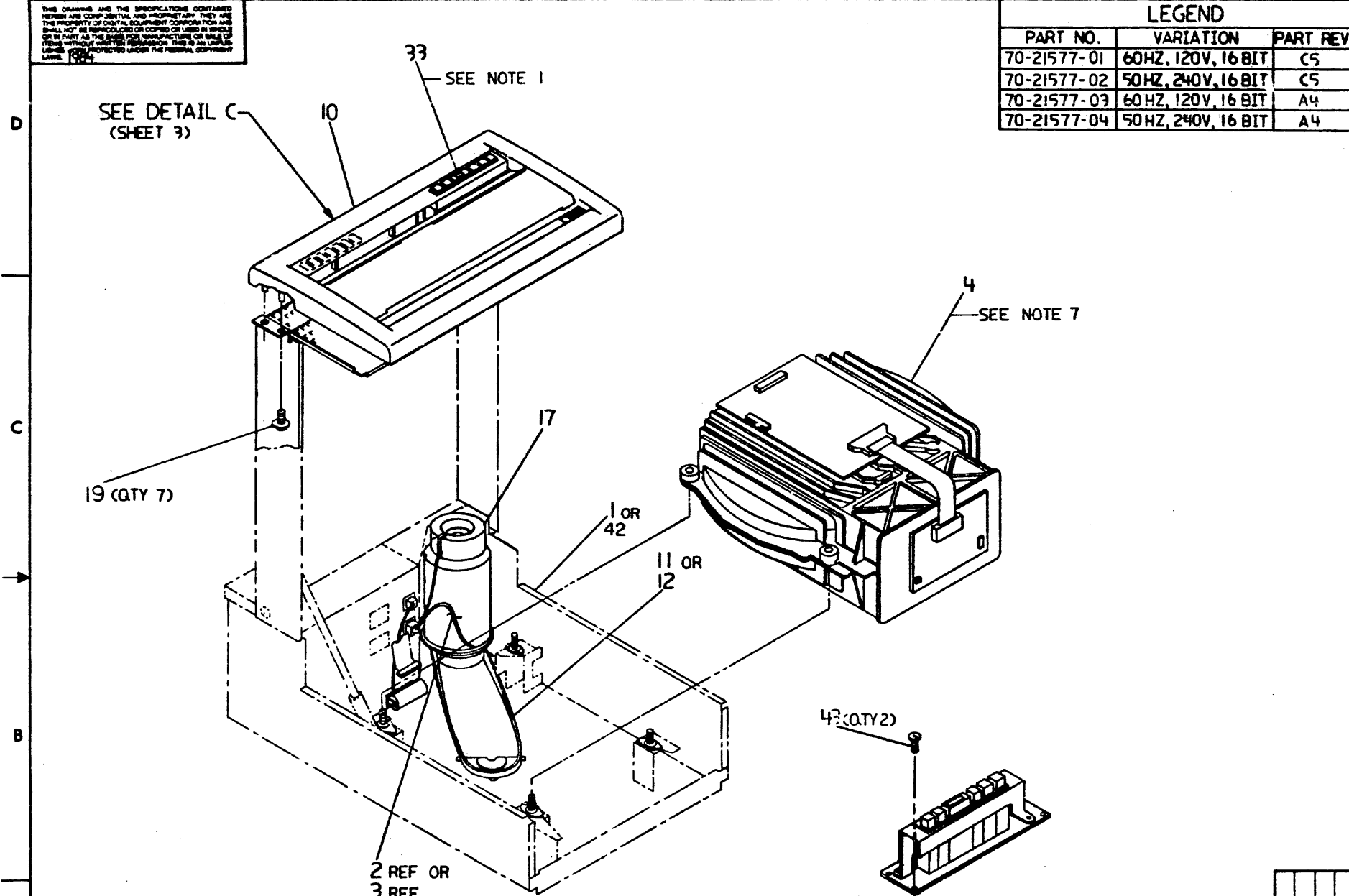
"THIS DRAWING AND THE SPECIFICATIONS CONTAINED HEREIN ARE CONFIDENTIAL AND PROPRIETARY. THEY ARE THE PROPERTY OF DIGITAL EQUIPMENT CORPORATION AND SHALL NOT BE REPRODUCED OR COPIED OR USED IN WHOLE OR IN PART AS THE BASIS FOR THE MANUFACTURE OR SALE OF ITEMS WITHOUT WRITTEN PERMISSION. THIS IS AN UNPUBLISHED WORK PROTECTED UNDER THE FEDERAL COPYRIGHT LAWS."

DAD 7021577-0-0

THIS DRAWING AND THE SPECIFICATIONS CONTAINED HEREIN ARE CONFIDENTIAL AND PROPRIETARY. THEY ARE THE PROPERTY OF DIGITAL EQUIPMENT CORPORATION AND SHALL NOT BE REPRODUCED OR COPIED IN WHOLE OR IN PART AS THE BASIS FOR MANUFACTURE OR SALE OF ITEMS WITHOUT WRITTEN PERMISSION. THIS IS AN UNCLASSIFIED DOCUMENT PROTECTED UNDER THE FEDERAL GOVERNMENT INFORMATION ACT (FOIA).

LEGEND		
PART NO.	VARIATION	PART REV.
70-21577-01	60HZ, 120V, 16 BIT	C5
70-21577-02	50HZ, 240V, 16 BIT	C5
70-21577-03	60HZ, 120V, 16 BIT	A4
70-21577-04	50HZ, 240V, 16 BIT	A4

- NOTES:
- REFER TO THE RA82 USER'S GUIDE (PART NO. EK-ORAB2-UG) FOR INSTALLATION OF APPROPRIATE DRIVE ADDRESS SWITCH MARKER.
 - GENERAL TORQUE REQUIREMENTS PER A-SP-7685328-0-0.
 - ITEMS 22 AND 33 ARE PACKAGED FOR SHIPMENT WITH DRIVE ASSEMBLY.
 - APPLICATION FOR BEST ADHESION:
 A. REMOVE BACK PAPER.
 B. CLEAN BEZEL SURFACE WITH ISOPROPYL ALCOHOL.
 C. USING A DULL, ROUNDED INSTRUMENT, RUB ALL LETTERING BEFORE REMOVING FRONT PAPER FROM DECAL (LOGO).
 - ASSEMBLY CRITERIA PER DEC STD 116, SECTION 5.
 - IDENTIFY PER DEC-STD-031 AND DEC-STC-047 BAR CODE SYMBOLOGY CRITERIA.
 - AFTER INSTALLATION OF ITEM 4 (HDA), THE DISK DRIVE ASSEMBLY MUST BE SUFFICIENTLY PROTECTED AGAINST SHOCK AND VIBRATION TO MEET THE REQUIREMENTS OF DEC ENG. SPECIFICATION NUMBERS A-SP-RA82-0-1 AND A-SP-7021170-0-3.
 - SELECT APPROPRIATE PART NUMBER ACCORDING TO PLANT OF MANUFACTURE. REFER TO K-PL-7021577-0-DBP.
- CAUTION: OFF SHEET PARTS LIST EXISTS.
 SEE K-PL-7021577-0-DBP (Z8167)
 TOP DOCUMENT: D-AD-7021577-0-0



-01/-02 VARIATIONS

-01/-02 VARIATIONS
 SEE DETAIL D (SH3)
 FOR -03/-04 VARIATIONS

DATE	REV.	BY	CHKD.	APP'D.	DESCRIPTION
10/1/83	A	D. CHAMBERLAIN			INITIAL RELEASE
11/1/83	B	D. CHAMBERLAIN			REVISED TO REFLECT CHANGES TO THE DRIVE ASSEMBLY
11/1/83	C	D. CHAMBERLAIN			REVISED TO REFLECT CHANGES TO THE DRIVE ASSEMBLY
11/1/83	D	D. CHAMBERLAIN			REVISED TO REFLECT CHANGES TO THE DRIVE ASSEMBLY
11/1/83	E	D. CHAMBERLAIN			REVISED TO REFLECT CHANGES TO THE DRIVE ASSEMBLY
11/1/83	F	D. CHAMBERLAIN			REVISED TO REFLECT CHANGES TO THE DRIVE ASSEMBLY
11/1/83	G	D. CHAMBERLAIN			REVISED TO REFLECT CHANGES TO THE DRIVE ASSEMBLY
11/1/83	H	D. CHAMBERLAIN			REVISED TO REFLECT CHANGES TO THE DRIVE ASSEMBLY

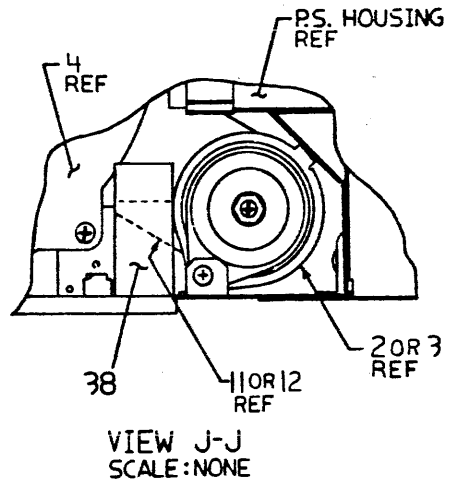
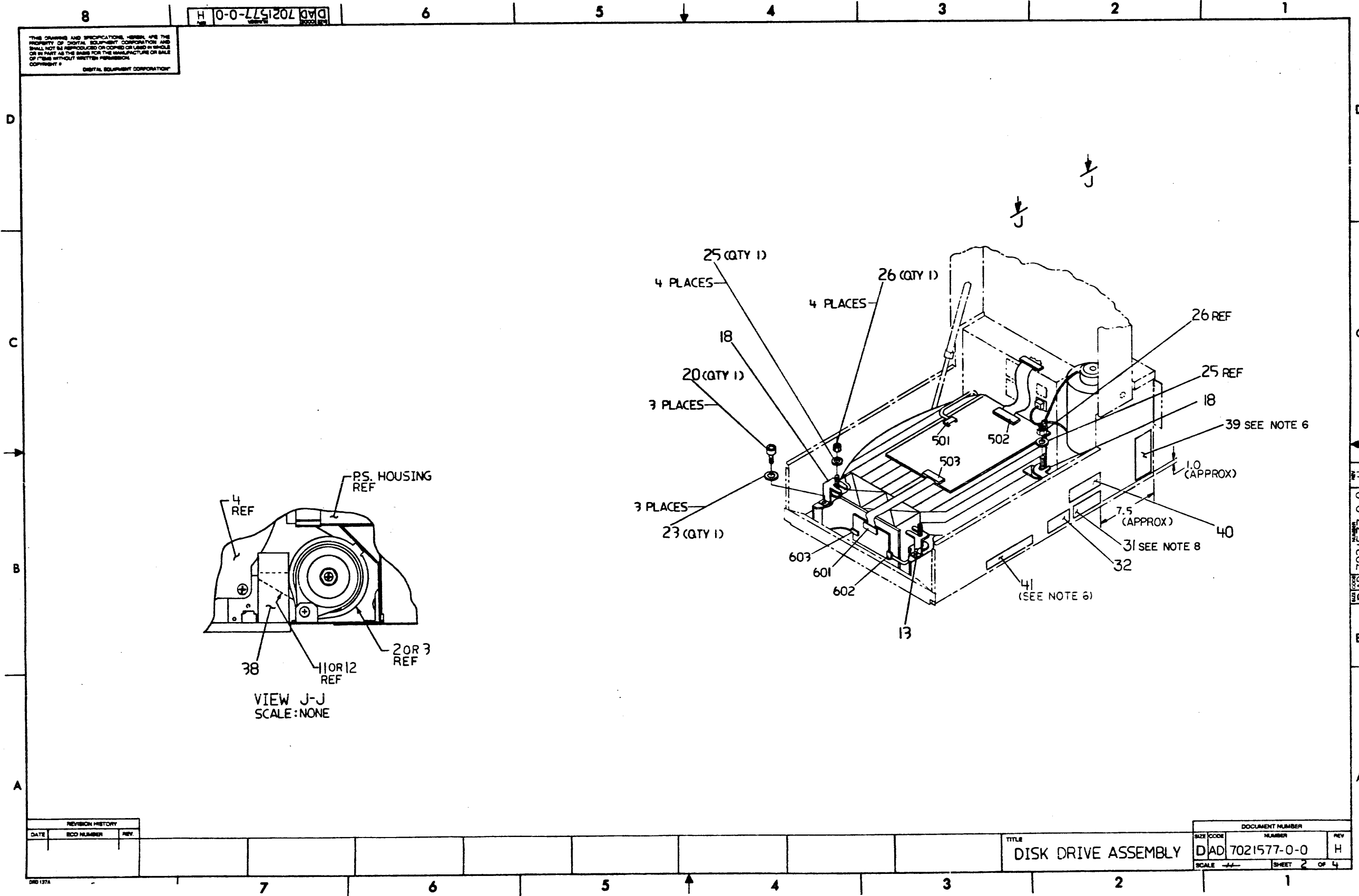
DESCRIPTION	DRAWING NO.	PART NO.	ITEM NO.
UNLESS OTHERWISE SPECIFIED DIMENSIONS ARE IN INCHES AND THE FOLLOWING TOLERANCES APPLY (PER DEC STD 114)			
DIMENSION RANGE IN INCHES			
OVER 0 TO 0.2	OVER 0.2 TO 1.2	OVER 1.2 TO 4.0	OVER 4.0 TO 12.0
± 0.01	± 0.02	± 0.03	± 0.04
APPLICABLE DIMENSION RANGE			
0.005	0.005	0.012	0.018
SURFACE QUALITY			
X = ± 0.1			
XX = ± 0.02			
XXX = ± 0.008			
THIRD ANGLE PROJECTION			
DATE 9 JAN 84		TITLE digital	
DATE 5 JUN 86		DISK DRIVE ASSEMBLY	
DATE APR 86		DOCUMENT NUMBER	
DATE 16 APR 86		D AD 7021577-0-0	
DATE 16 APR 86		SCALE NONE	
D-UA-RA82-A-0		SHEET 1 OF 4	

DAD-7021577-0-0

1 of 4

THIS DRAWING AND SPECIFICATIONS HEREIN ARE THE PROPERTY OF DIGITAL EQUIPMENT CORPORATION AND SHALL NOT BE REPRODUCED OR COPIED OR USED IN WHOLE OR IN PART AS THE BASIS FOR THE MANUFACTURE OR SALE OF ITEMS WITHOUT WRITTEN PERMISSION.
COPYRIGHT © DIGITAL EQUIPMENT CORPORATION

H 0-0-LL420Z DAD



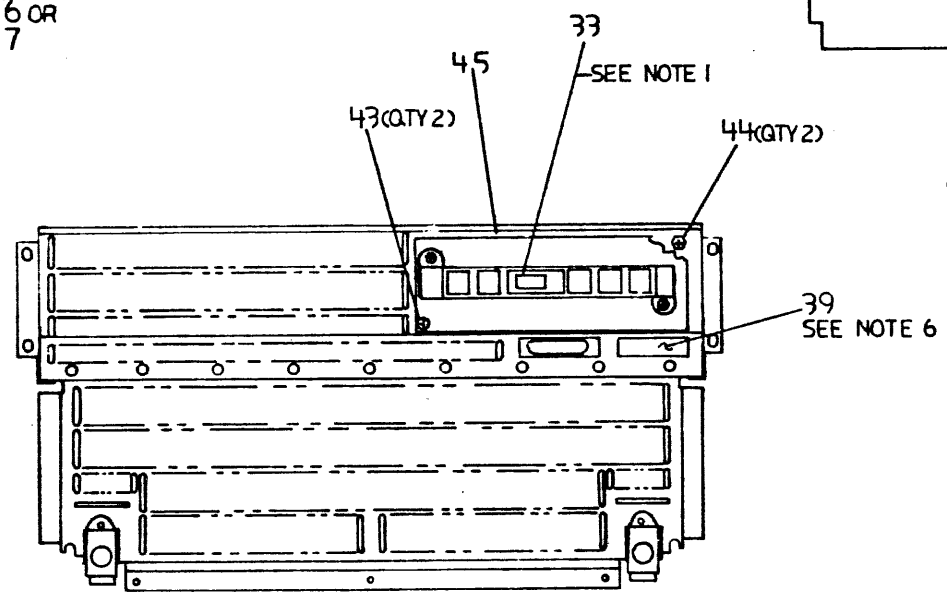
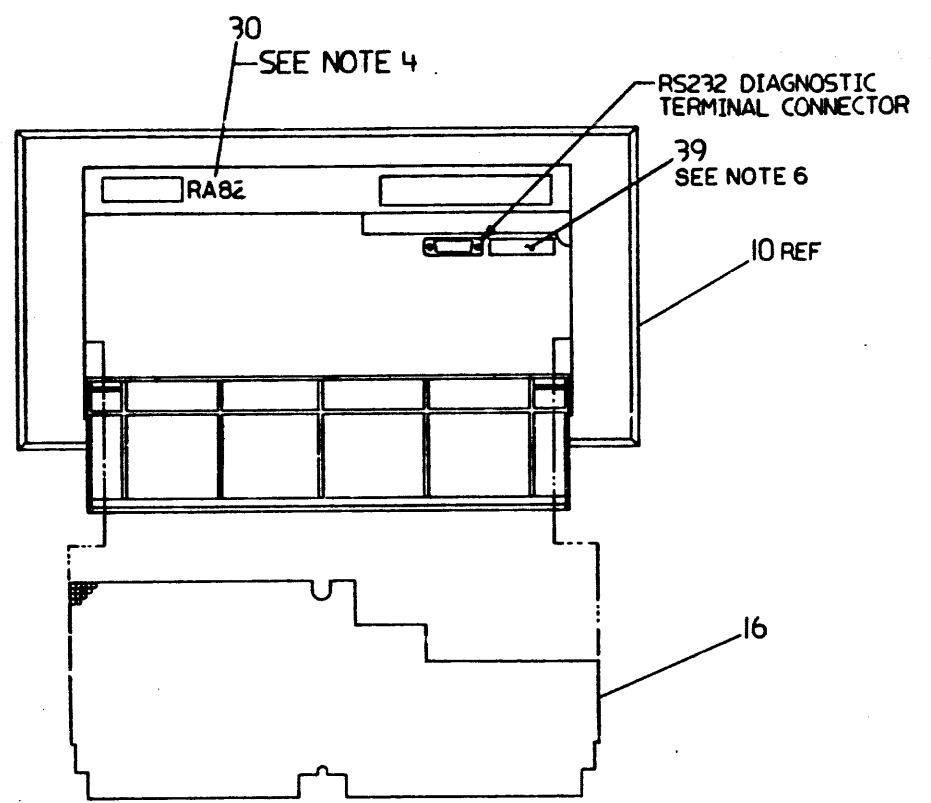
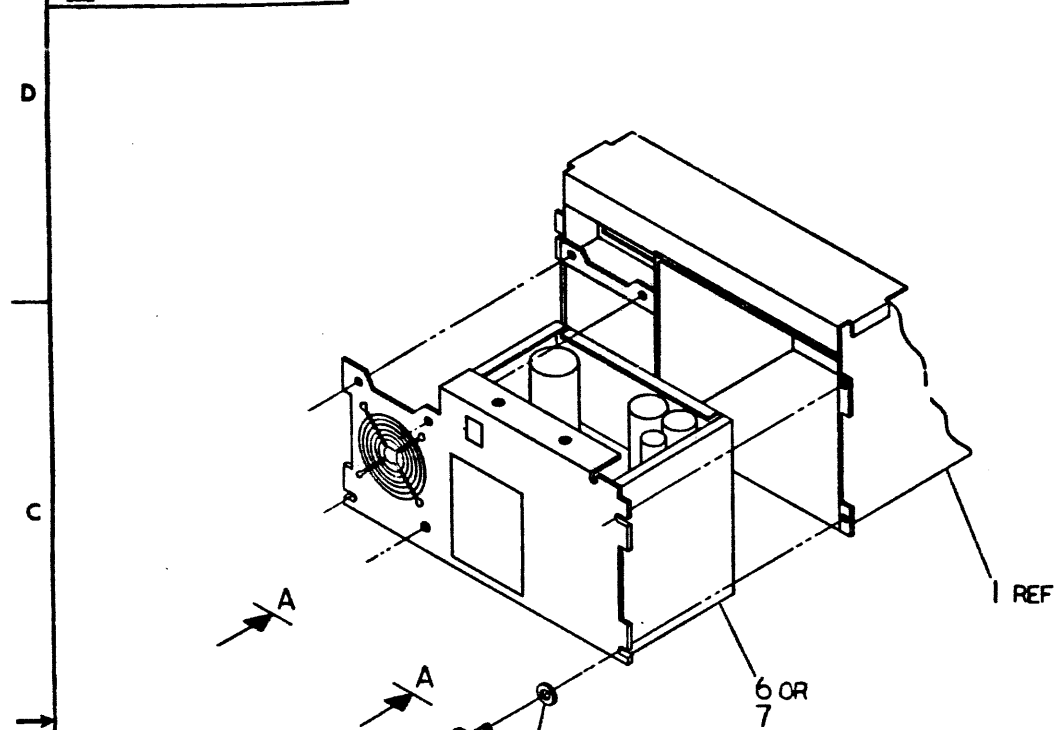
REVISION HISTORY		
DATE	ECO NUMBER	REV

TITLE
DISK DRIVE ASSEMBLY

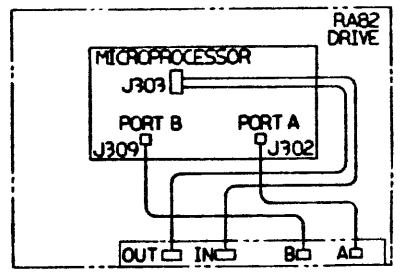
DOCUMENT NUMBER			
SIZE	CODE	NUMBER	REV
DAD	7021577-0-0	H	
SCALE		SHEET 2	OF 4

DAD-7021577-0-0 2 of 4

SEE SHEET 1 FOR DIMENSIONS AND TOLERANCES



DETAIL C
SCALE: NONE
FROM SHEET 1
VARIATIONS -01 & -02



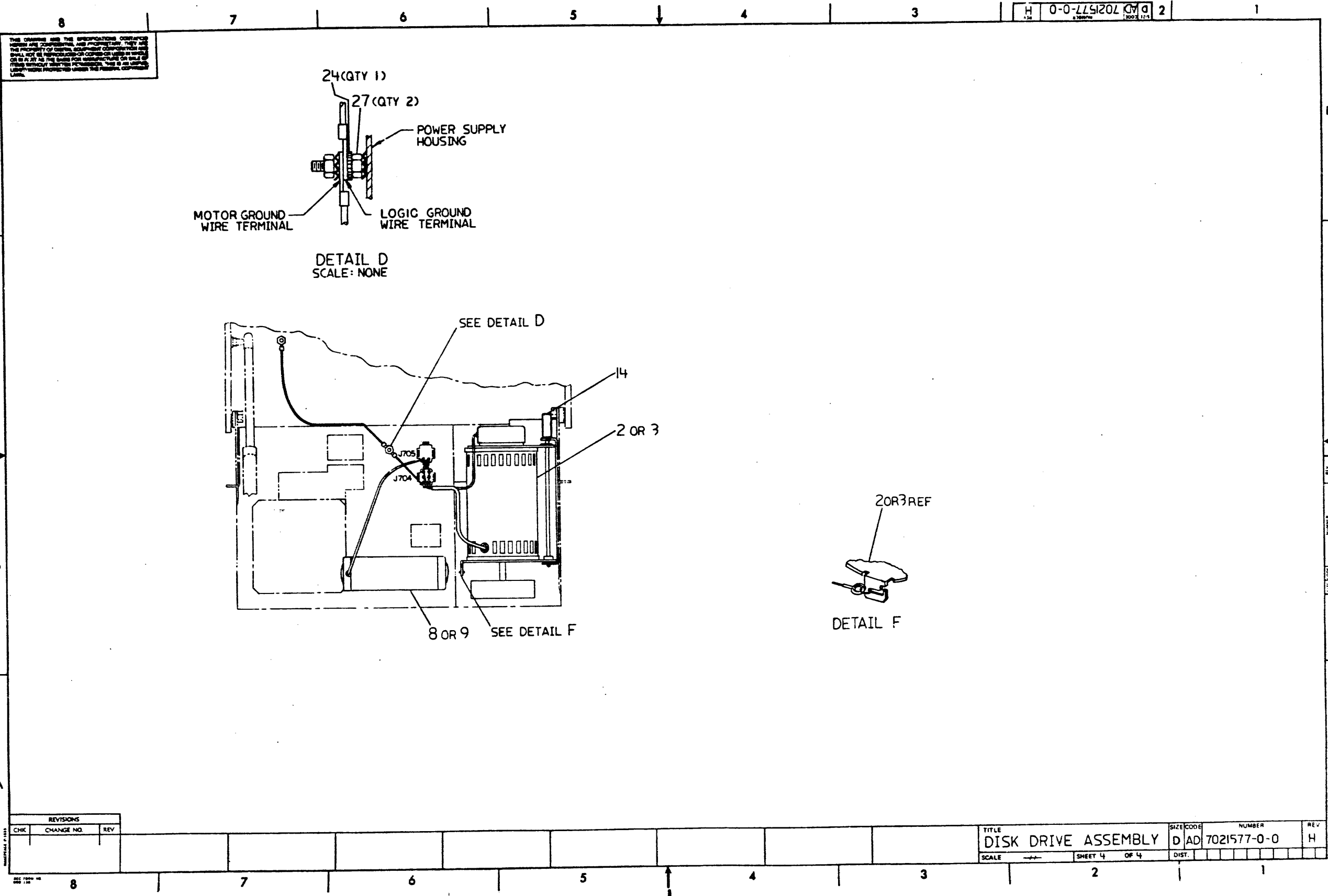
DRIVE BULKHEAD CONNECTIONS
SI AND SEQUENCE CABLE
INTERNAL TO DRIVE

DETAIL D
SCALE: NONE
FROM SHEET 1
VARIATIONS -03 & -04

REVISIONS		
CHK	CHANGE NO	REV

TITLE	SIZE CODE	NUMBER	REV
DISK DRIVE ASSEMBLY	D AD	7021577-0-0	H
SCALE	SHEET	OF	
	3	4	
DIST			

DAD-7021577-0-0 3 of 4



THE DRAWING AND THE SPECIFICATIONS CONTAINED HEREIN ARE UNCLASSIFIED AND PROPRIETARY. THEY ARE THE PROPERTY OF GTE SOUTHERN BELL COMPANY AND SHALL NOT BE REPRODUCED OR TRANSMITTED IN ANY FORM OR BY ANY MEANS, ELECTRONIC OR MECHANICAL, INCLUDING PHOTOCOPYING, RECORDING, OR BY ANY INFORMATION STORAGE AND RETRIEVAL SYSTEM, WITHOUT EXPRESS PERMISSION. THIS IS AN UNCLASSIFIED DOCUMENT SUBJECT TO THE FEDERAL GOVERNMENT'S RIGHTS UNDER THE PATENT AND TRADEMARK LAWS.

REVISIONS		
CHK	CHANGE NO.	REV

TITLE	SIZE CODE	NUMBER	REV
DISK DRIVE ASSEMBLY	D AD	7021577-0-0	H
SCALE	SHEET 4	OF 4	DIST.

DAD-7021577-0-0
 4 of 4

PARTS LIST

LINE	ITEM	TOP DOCUMENT	PART NUMBER	MIN REV	DESCRIPTION	QUANTITY PER VARIATION/REVISION			
						01 C5	02 C5	03 A4	04 A4
1	1	D-AD-7021936-0-0	70-21936-01	C	BASIC DISK DRIVE SUB-ASSEMBLY	1	1	1	1
2	2	D-AD-7021173-0-0	70-21173-01		MOTOR/BRAKE ASSEMBLY (60HZ)	1	-	1	-
3	3	D-AD-7021173-0-0	70-21173-02		MOTOR/BRAKE ASSEMBLY (50HZ)	-	1	-	1
4	4	K-AD-7021468-0-DBU	70-21468-01		HDA-R/W MODULE ASSEMBLY (16 BIT)	1	1	1	1
5	5				*** THIS ITEM IS NOT USED ***	-	-	-	-
6	6	E-UA-H7660-0-0	H7660-C		H7660-A IMPROVED FOR ALL RA- DISK	1	-	1	-
7	7	E-UA-H7660-0-0	H7660-D		H7660-B IMPROVED FOR ALL RA- DISK	-	1	-	1
8	8		10-16924-01		297 TO 324MFD 165V AL EL	1	-	1	-
9	9		10-19003-02	A	53 TO 64 MFD 330V AL EL	-	1	-	1
10	10	K-IA-7021593-0-DBU	70-21593-01		BEZEL ASSEMBLY	1	1	-	-
11	11		12-12635-06		BELT,WOVEN,ENDLESS,.500WX34.96LG	1	-	1	-
12	12		12-12635-07		BELT,WOVEN,ENDLESS,.500WX36.07LG	-	1	-	1
13	13	K-MD-7429716-0-DBU	74-29716-02	A	BRACKET, SHIPPING, R.H.	1	1	1	1
14	14	K-MD-7429709-0-DBU	74-29709-01		ROD,MOTOR PIVOT	1	1	1	1
15	15				*** THIS ITEM IS NOT USED ***	-	-	-	-
16	16	K-MD-7429721-0-DBU	74-29721-01		FILTER,FOAM	1	1	-	-
17	17	K-MD-7429713-0-DBU	74-29713-01		BLOCK,MOTOR SHIPPING	1	1	1	1
18	18	K-MD-7429716-0-DBU	74-29716-01		BRACKET, SHIPPING, L.H.	2	2	2	2
19	19		90-09984-08	A	SCREW,SEMS,PAN PHIL 8-32X	7	7	-	-
20	20	SEE NOTE # 20	90-06346-08	E	SCREW,CAP SOC HEX 10-32	3	3	3	3
21	21		90-09682-01		SCREW,MACH HEXWW SLOT 8-32	6	6	6	6
22	22		70-18340-02		I/O BULKHEAD DRIVE RA81/RA60	1	1	1	1
23	23	SEE NOTE # 23	90-06664-00		WASHER,FLAT SST	3	3	3	3
24	24		90-07651-00		WASHER,LOCK EXTERNAL STEEL	1	1	1	1
25	25		90-07983-00		WASHER,FLAT SST	4	4	4	4
26	26		90-08203-00		NUT,HEX EXT TOOTH LCKWSHR 1/4-20X	4	4	4	4
27	27		90-06565-00		NUT,HEX EXT TOOTH LCKWSHR 10-32X	2	2	2	2
28	28				*** THIS ITEM IS NOT USED ***	-	-	-	-
29	29				*** THIS ITEM IS NOT USED ***	-	-	-	-
30	30		36-17314-03		LABEL,RUB-ON,RA82	1	1	-	-
31	31	SEE NOTE # 31	36-17674-38		LABEL,SERIAL/POWER UNIV, MADE IN U	1	1	1	1
32	32		36-17880-03		LABEL,FCC,CLASS A,PERIPHERAL	1	-	1	-

REVISION HISTORY			KPL MATRIX FORMAT!SECTION A OF A!		DRN: C. BULLARD	DIGITAL			
ENG	ECO NUMBER	REV	SECTION/VARIATION INDEX		DATE: 31-MAY-85	PARTS LIST			
RD	PCA PET-234	AX03	[A]	01,02,03,04	CHK'D: D. MILLER	DISK DRIVE ASSEMBLY			
RD	PCA PET-335	A	[B]		DATE: 02-APR-86				
MM	7021577-CX01A	B	[C]		DES.ENG: R. DUCHARME				
DC	7021577-CX02A	C	[D]		DATE: 02-APR-86	DOCUMENT NUMBER			
DC	7021577-CX03A	D	[E]			SIZE	CODE	NUMBER	REV
MM	7021577-CX004	E	[F]		RESP.ENG.: J. READ	K	PL	7021577-0-DBP	H
DC	7021577-CX005	F	[H]		DATE: 02-APR-86	RELEASE DATE: 28-MAR-88			
KJ	7021577-CX006	H	[J]		MFG.ENG: D. SAJDAK	RELEASE STATUS: RELEASED			
					DATE: 02-APR-86				
			BASIC PART NUMBER:	ASSEMBLY NUMBER:	TOP DOCUMENT NUMBER:	FILE NAME:		EDIT #	
			7021577	D-AD-7021577-0-0	D-AD-7021577-0-0	Z8167H.PLS		1	

"THIS DRAWING AND THE SPECIFICATIONS CONTAINED HEREIN ARE CONFIDENTIAL AND PROPRIETARY. THEY ARE THE PROPERTY OF DIGITAL EQUIPMENT CORPORATION AND SHALL NOT BE REPRODUCED OR COPIED OR USED IN WHOLE OR IN PART AS THE BASIS FOR THE MANUFACTURE OR SALE OF ITEMS WITHOUT WRITTEN PERMISSION. THIS IS AN UNPUBLISHED WORK PROTECTED UNDER THE FEDERAL COPYRIGHT LAWS."

Handwritten: Rm 27-448-82

AUTOMATED BY VAXKPL (V1.3)

PARTS LIST

SHEET A2 OF A2

LINE	ITEM	TOP DOCUMENT	PART NUMBER	MIN REV	DESCRIPTION	QUANTITY PER VARIATION/REVISION			
						01 C5	02 C5	03 A4	04 A4
33	33	SEE NOTE 1 ON DWG	36-18940-01	B	LABEL, SWITCH MARKER	1	1	1	1
34	34				*** THIS ITEM IS NOT USED ***	-	-	-	-
35	35				*** THIS ITEM IS NOT USED ***	-	-	-	-
36	36		37-00588-02		PKG DISK DRIVE RA80/81 CUSTOMER	REF	REF	REF	REF
37	37		90-06661-00		WASHER, FLAT SST	6	6	6	6
38	38	K-MD-7431354-0-DBU	74-31354-02		BLOCK, DAMPER, MOTOR	1	1	1	1
39	39	SEE NOTE # 39	36-21711-05		LABEL, BAR CODE .900 X 2.20	2	2	2	2
40	40		36-15710-00		LABEL, PAPER FORM FEED	1	1	1	1
41	41	SEE NOTE 6 ON DWG	36-22963-05		LABEL, BAR CODE, BLANK	1	1	1	1
42	42				*** THIS ITEM IS NOT USED ***	-	-	-	-
43	43		90-09984-00		SCREW, SEMS PAN PHIL 6-32	2	2	2	2
44	44		90-00001-06		STANDOFF, MALE/FEMALE HEX 6-32 X	-	-	2	2
45	45	K-MD-7434388-0-DBU	74-34388-01		COVER, CONTROL PANEL	-	-	1	1

20 NOTE: 90-06346-08, QTY 3, MAY BE SUBSTITUTED BY 90-09988-05, SCREW, SEMS, 10-32, QTY 3.
 23 NOTE: 90-06664-00, QTY 3, MAY BE SUBSTITUTED BY 90-09988-05, SCREW, SEMS, 10-32, QTY 3.
 31 NOTE: ALTERNATE PART NO. 36-17674-43, LABEL SER/POW W/ UL & CSA, IS REQ'D FOR UNITS MANUFACTURED IN KBO.
 39 NOTE: 36-21711-05, TOTAL REQ'T IS QTY 3: 2 ARE AFFIXED TO THE PRODUCT, 1 IS REQ'D FOR PRCS DOCUMENTATION. (SEE NOTE 6 ON DWG.)

1 GEN:	PART NO.	LEGEND	VARIATION
3 GEN:	70-21577-01	120V, 60HZ, 16 BIT	
4 GEN:	70-21577-02	240V, 50HZ, 16 BIT	
5 GEN:	70-21936-03	120V, 60HZ, 16 BIT	
6 GEN:	70-21577-04	240V, 50HZ, 16 BIT	

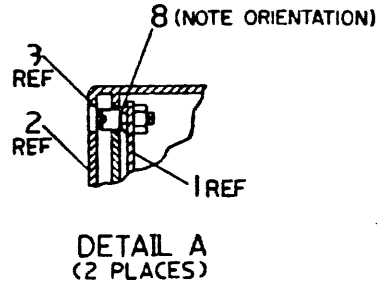
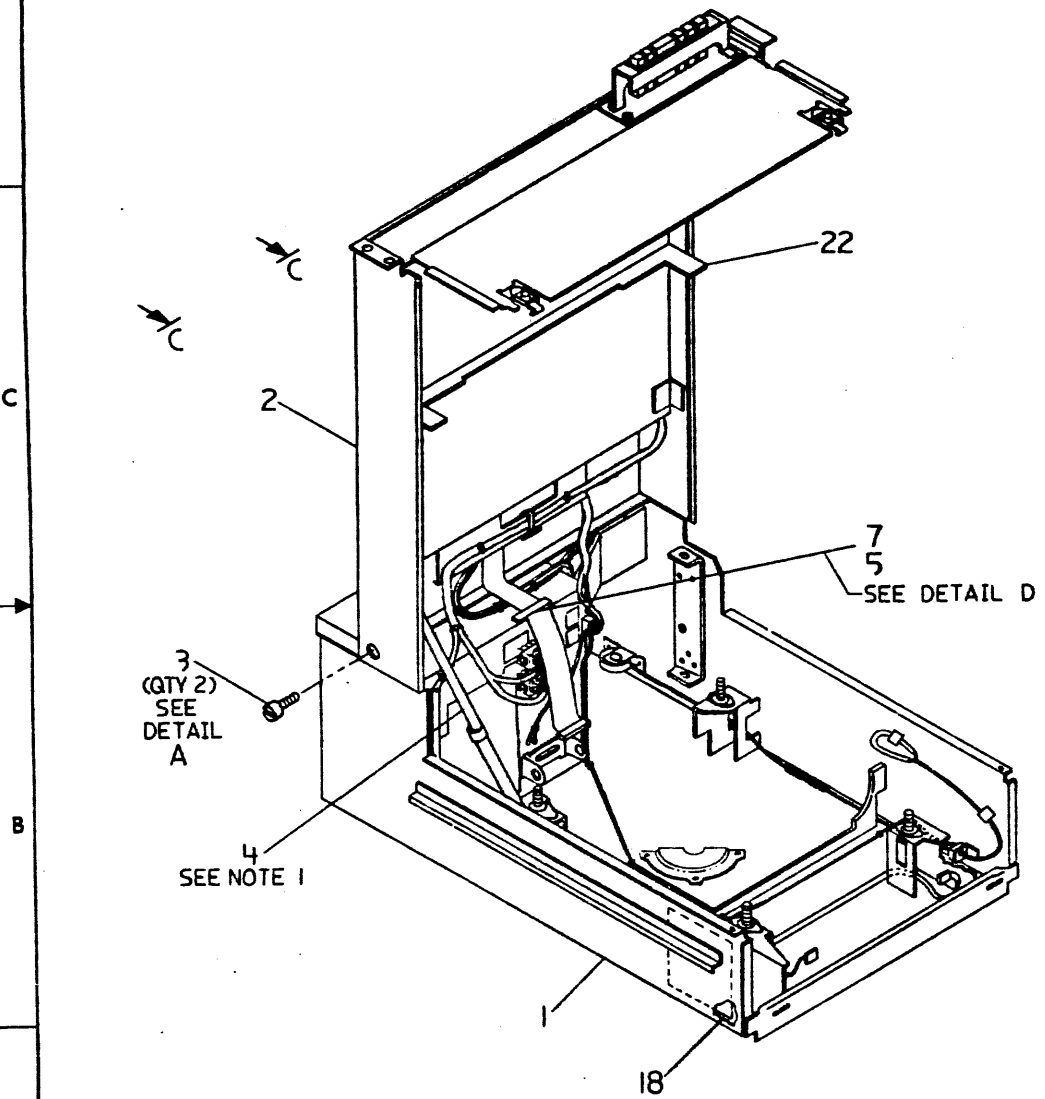
D	I	G	I	T	A	L	TITLE	SECTION A OF A	SIZE	CODE	DOCUMENT NUMBER	REV
							DISK DRIVE ASSEMBLY		K	PL	7021577-0-DBP	H

THIS DRAWING AND THE SPECIFICATIONS CONTAINED HEREIN ARE CONFIDENTIAL AND PROPRIETARY. THEY ARE THE PROPERTY OF DIGITAL EQUIPMENT CORPORATION AND SHALL NOT BE REPRODUCED OR COPIED OR USED IN WHOLE OR IN PART AS THE BASIS FOR MANUFACTURE OR SALE OF ITEMS WITHOUT WRITTEN PERMISSION. THIS IS AN UNCLASSIFIED WORK PROTECTED UNDER THE FEDERAL COPYRIGHT LAWS.

LEGEND		
PART NO.	VARIATION	PART REV.
70-21936-01	BASIC DISK DRIVE SUB-ASSEMBLY	C6
70-21936-02	BASIC DISK DRIVE SUB-ASSEMBLY	A4 [3]

NOTES:

1. ATTACH (ITEM 4) WITH THE LOCKING TUBE IN THE DOWN POSITION, PUSH OVER BALL STUD, 2 PLACES.
2. POSITION THE D.C. HARNESS FLAT AGAINST THE FAN HOUSING AND SECURE WITH TIE WRAP (ITEM 13). THE TIE WRAP LOCK MUST BE LOCATED AS SHOWN.
- [3] PART NO. 70-21936-02 INACTIVATED PER ECO 7021577-CX006 (6124).



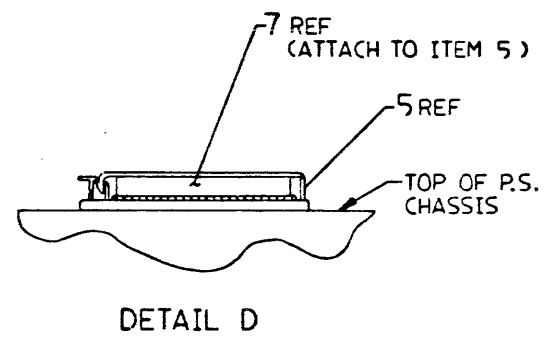
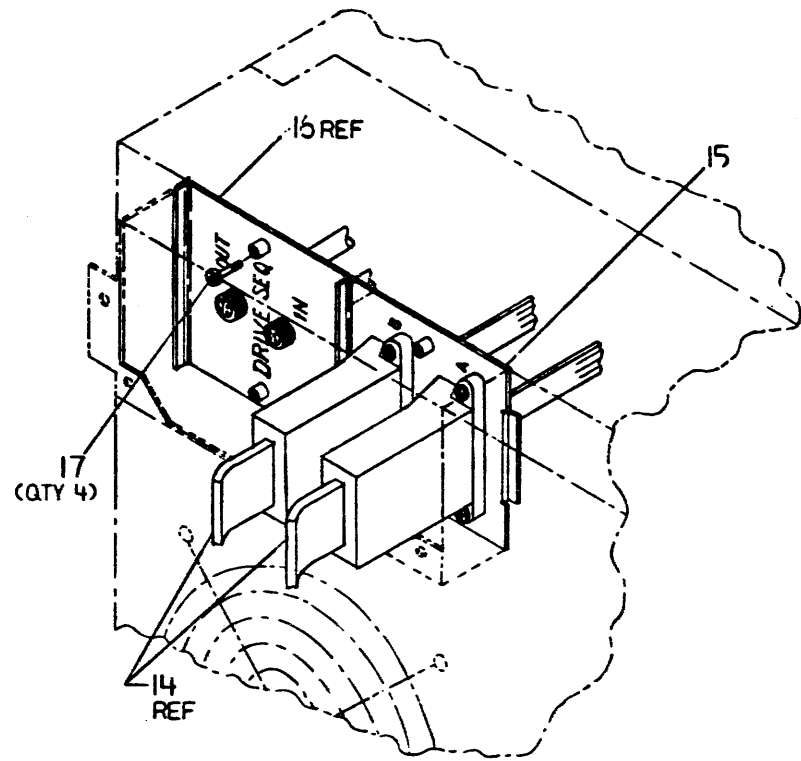
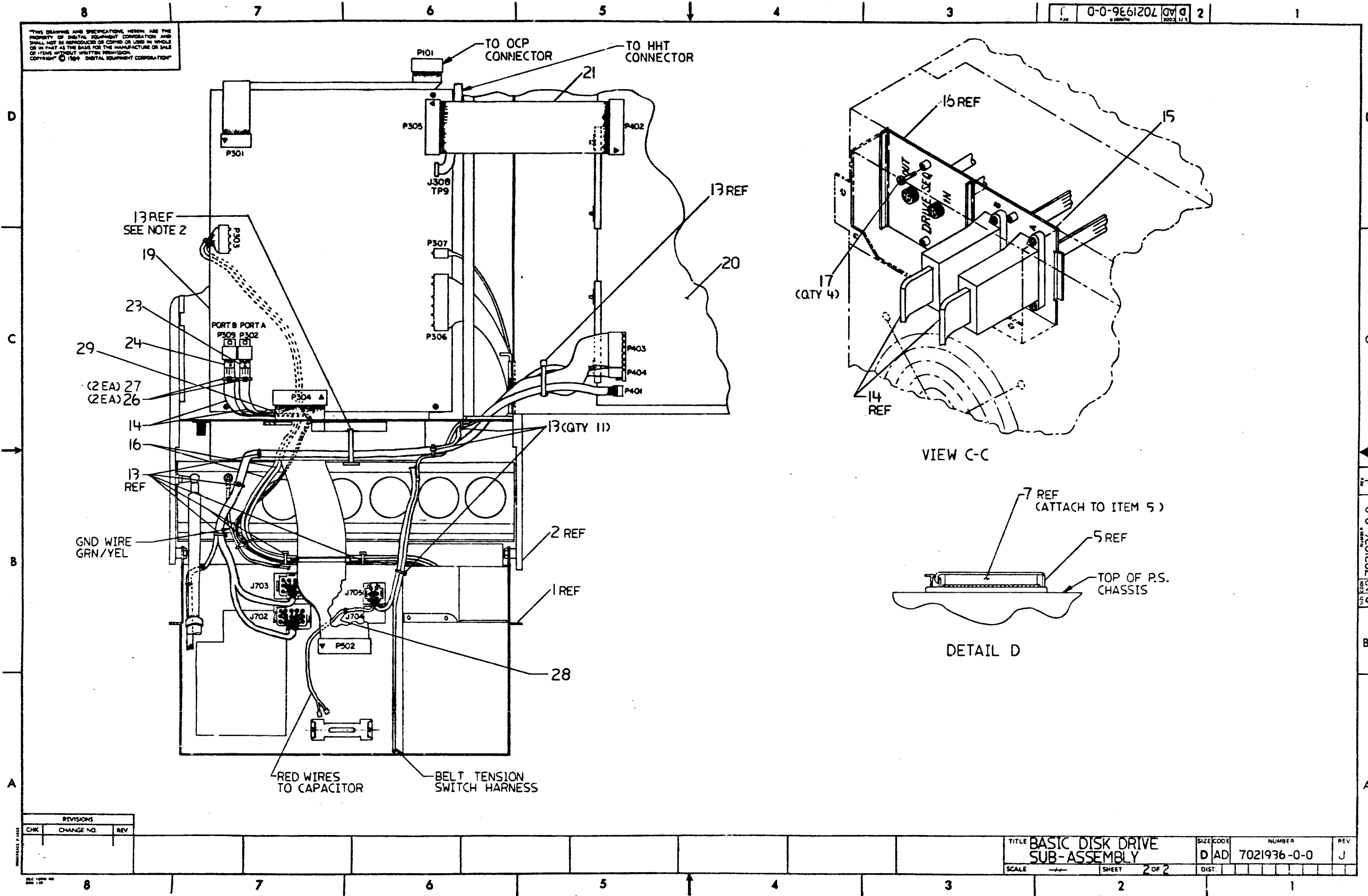
CAUTION: OFF SHEET PARTS LIST EXISTS
SEE K-PL-7021936-0-DBP (29355)
TOP DOC: D-AD-7021936-0-0

REV	REV	REV	REV	REV	REV	REV	REV
D	E	F	G	H	I	J	K
60	65	66	67	68	69	70	71
7021577-CX033A	7021577-CX033A	7021577-CX033A	7021577-CX033A	7021577-CX033A	7021577-CX033A	7021577-CX033A	7021577-CX033A
MCH 31 DEC 86	MCH 31 DEC 86	MCH 31 DEC 86	MCH 31 DEC 86	MCH 31 DEC 86	MCH 31 DEC 86	MCH 31 DEC 86	MCH 31 DEC 86
D. CHAMBERLAIN	D. CHAMBERLAIN	D. CHAMBERLAIN	D. CHAMBERLAIN	D. CHAMBERLAIN	D. CHAMBERLAIN	D. CHAMBERLAIN	D. CHAMBERLAIN

DESCRIPTION	DRAWING NO.	PART NO.	ITEM NO.
UNLESS OTHERWISE SPECIFIED DIMENSIONS ARE IN INCHES AND THE FOLLOWING TOLERANCES APPLY (PER DEC STD 114)			
INCHES TOLERANCES		DIMENSION RANGE IN INCHES	
ANGLES ±0°30'		SURFACE QUALITY	
APPLICABLE DIMENSION RANGE		MICROINCHES	
CHECK ONE		CHECK ONE	
X . . . 1		.004	
XX . . . 02		.008	
XXX . . . 008		.012	
		.016	
		.024	
		.04	
THIRD ANGLE PROJECTION	DESIGNED BY C. BULLARD	DATE 7 JUN 84	TITLE BASIC DISK DRIVE SUB-ASSEMBLY
DO NOT SCALE DRAWING	DRAWN BY R.E. MILLER	DATE 4 APR 86	DOCUMENT NUMBER D-AD-7021936-0-0
REMOVE BURRS AND BREAK SHARP CORNERS	CHECKED BY D. CHAMBERLAIN	DATE 16 APR 86	SCALE NONE
MATERIAL SEE PARTS LIST	APP'D BY R. SAJDAK	DATE 16 APR 86	SHEET 1 OF 2
FINISH //	REVISED BY D-AD-7021577-0-0		

DAD-7021936-0-0 1 of 2

THIS DRAWING AND SPECIFICATIONS HEREIN ARE THE PROPERTY OF DIGITAL EQUIPMENT CORPORATION AND SHALL NOT BE REPRODUCED OR COPIED OR USED IN WHOLE OR IN PART AS THE BASIS FOR THE MANUFACTURE OR SALE OF ITEMS WITHOUT WRITTEN PERMISSION. COPYRIGHT © 1974 DIGITAL EQUIPMENT CORPORATION



REVISIONS		
CHK	CHANGE NO.	REV

TITLE	BASIC DISK DRIVE SUB-ASSEMBLY	SIZE CODE	D AD	NUMBER	7021936-0-0	REV	J
SCALE	---	SHEET	2 OF 2	DIST.			

DAD-7021936-0 0 2 of 2
 NUMBER 7021936-0-0
 REV J

LINE	ITEM	TOP DOCUMENT	PART NUMBER	MIN REV	DESCRIPTION	01 C6
1	1	K-AD-7021575-0-DBU	70-21575-01		CHASSIS ASSEMBLY 60 HZ	1
2	2	K-AD-7021589-0-DBU	70-21589-01		LOGIC ASSEMBLY	1
3	3		90-00042-17		SCREW, HEX SOC HEX 5/16-18	2
4	4		12-24693-01		SPRING, DAMPER	1
5	5		12-13715-00		CLIP, FLAT CABLE W/ADHESIVE BK	1
6	6				*** THIS ITEM IS NOT USED ***	-
7	7	K-MD-7430633-0-DBU	74-30633-01		GASKET, FLAT WIRE CLIP	1
8	8		90-10204-00		WASHER, SPRING BELLEVLE SST	2
9	9				*** THIS ITEM IS NOT USED ***	-
10	10				*** THIS ITEM IS NOT USED ***	-
11	11				*** THIS ITEM IS NOT USED ***	-
12	12				*** THIS ITEM IS NOT USED ***	-
13	13		90-10266-00		TIE, CABLE 7.312L	11
14	14		17-00465-04 A		CABLE, COAX, ASSY, SI SHIELDED RIBBON	2
15	15	K-IA-7429005-0-DBU	74-29005-01		PLATE, I/O COMMON	1
16	16	D-IA-7021590-0-0	70-21590-01		SEQUENCE CABLE/PANEL ASSEMBLY	1
17	17		12-19534-02		SCREW, CAPTV PHIL 4-40	4
18	18		36-18804-01		LABEL, LOCK INFORMATION	1
19	19		54-16190-01 D		R82 HYBRID MODULE	1
20	20		54-16188-01 E		R82 SERVO CONTROL	1
21	21	C-IA-7021608-0-0	70-21608-01		DATA 40 CABLE ASSEMBLY	1
22	22	K-IA-7021572-0-DBU	70-21572-01		HDA TOP BAFFLE ASSEMBLY	1
23	23		36-16923-40		LABEL, PORT IDENT "A"	1
24	24		36-16923-41		LABEL, PORT IDENT "B"	1
25	25				*** THIS ITEM IS NOT USED ***	-
26	26		12-22992-01 A		HOLDER, CABLE TIE	2
27	27		90-07880-00 E		TIE, CABLE BUNDL DIA 0-1.14"=101	2
28	28		90-07031-00 B		TIE, CABLE BUNDL.DIA 0- 3/4"=101	1
29	29		90-09718-01		GROMMET, STRIP STYRENE	1
30	30	K-AD-7021589-0-DBU	70-21589-03		*** THIS ITEM IS NOT USED ***	-

REVISION HISTORY		KPL MATRIX FORMAT		SECTION A OF A		DRN: C. BULLARD		DIGITAL	
ENG	ECO NUMBER	REV	SECTION/VARIATION INDEX	CHK'D:	DATE:	TITLE	DOCUMENT NUMBER	SIZE	CODE
RD	PCA PET-335	A	[A] 01	D. MILLER	07-JUN-84	PARTS LIST			
MM	7021577-CX01A	B	[B]		03-APR-86	BASIC DISK DRIVE			
DC	7021577-CX02A	C	[C]	B. DUCHARME	03-APR-86	SUB-ASSEMBLY			
DC	7021577-CX03A	D	[D]						
CH	7021936-CX001	E	[E]	J. READ	03-APR-86				
DC	7021936-CX002	F	[F]						
DC	7021577-CX005	H	[H]	D. SAJDAK	03-APR-86				
KJ	7021577-CX006	J	[J]						
BASIC PART NUMBER:		ASSEMBLY NUMBER:		TOP DOCUMENT NUMBER:		FILE NAME:		EDIT #	
7021936		D-AD-7021936-0-0		D-AD-7021936-0-0		Z9355J.PLS		3	

*** THIS DRAWING AND THE SPECIFICATIONS CONTAINED HEREIN ARE CONFIDENTIAL AND PROPRIETARY. THEY ARE THE PROPERTY OF DIGITAL EQUIPMENT CORPORATION AND SHALL NOT BE REPRODUCED OR COPIED OR USED IN WHOLE OR IN PART AS THE BASIS FOR THE MANUFACTURE OR SALE OF ITEMS WITHOUT WRITTEN PERMISSION. THIS IS AN UNPUBLISHED WORK PROTECTED UNDER THE FEDERAL COPYRIGHT LAWS.***

AUTOMATED BY VAXKPL (V1.3)

PARTS LIST

SHEET A2 OF A2
QUANTITY PER VARIATION/REVISION

LINE ITEM	TOP DOCUMENT	PART NUMBER	MIN REV	DESCRIPTION	01 C6
-----------	--------------	-------------	------------	-------------	----------

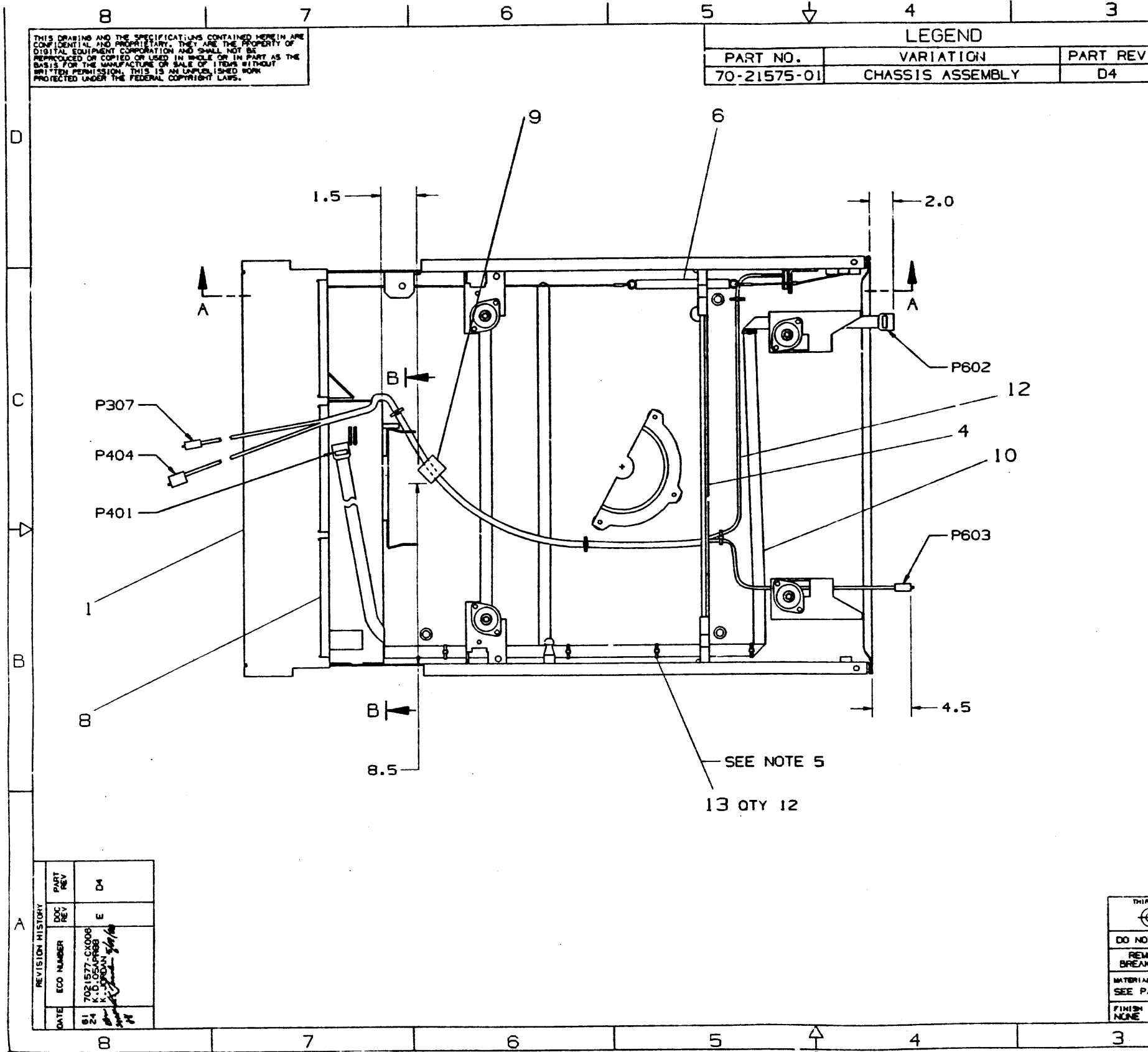
1 GEN: L E G E N D
2 GEN: PART NUMBER VARIATION
3 GEN: 70-21936-01 BASIC DISK DRIVE SUB-ASSEMBLY
4 GEN: 70-21936-02 VARIATION -02 NO LONGER USED.

D	I	G	I	T	A	L	TITLE	SECTION A OF A	SIZE	CODE	DOCUMENT NUMBER	REV
							BASIC DISK DRIVE SUB-ASSEMBLY		K	PL	7021936-0-DBP	J

THIS DRAWING AND THE SPECIFICATIONS CONTAINED HEREIN ARE CONFIDENTIAL AND PROPRIETARY. THEY ARE THE PROPERTY OF DIGITAL EQUIPMENT CORPORATION AND SHALL NOT BE REPRODUCED OR COPIED OR USED IN WHOLE OR IN PART AS THE BASIS FOR THE MANUFACTURE OR SALE OF ITEMS WITHOUT WRITTEN PERMISSION. THIS IS AN UNPUBLISHED WORK PROTECTED UNDER THE FEDERAL COPYRIGHT LAWS.

LEGEND		
PART NO.	VARIATION	PART REV
70-21575-01	CHASSIS ASSEMBLY	D4

- NOTES:
1. WORKMANSHIP TO COMPLY WITH DEC STD 116.
 2. PART TO BE PACKAGED TO PREVENT DAMAGE IN HANDLING AND SHIPPING PER VENDOR SPEC.
 3. TORQUE SCREWS (ITEM 2) TO 3.0 ±0.5 LBS.
 4. BLUE WIRE AND WHITE WIRE MAY BE REVERSED.
 5. APPLY ITEM 13 WITH MINIMUM SETTING ON TIE-WRAP GUN.



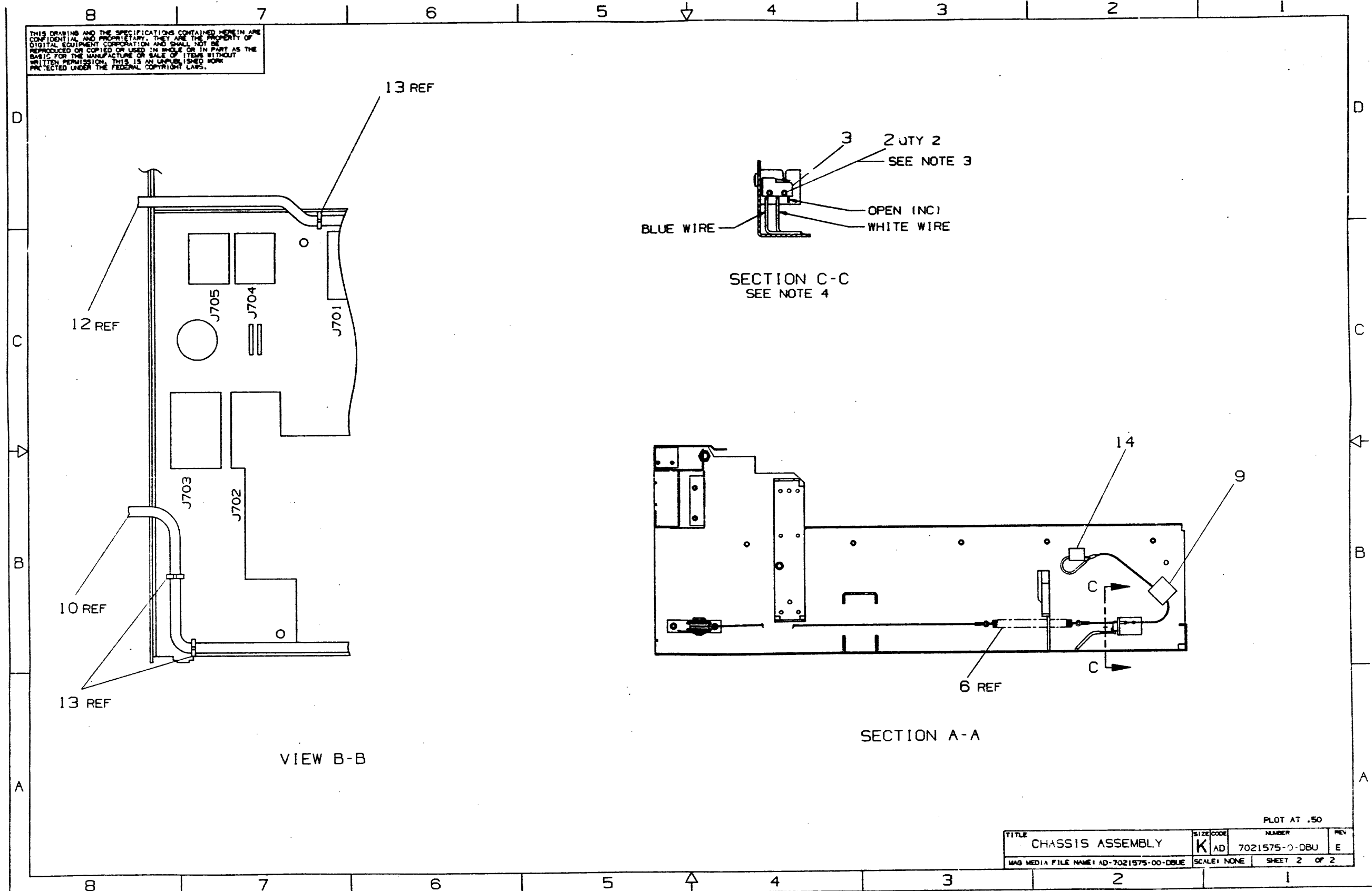
REVISION HISTORY		PART REV	D4
DOC REV	ECO NUMBER	DATE	BY
E	7021577-CX000	91 24	K.O. O'SAPPH
	7021577-CX000		K.O. O'SAPPH

TOLERANCES	
INCHES	ANGLES
.125 ±.01	±0° 30'
.001 ±.002	
.0001 ±.005	

CAUTION: OFF-SHEET PARTS LIST EXISTS.
 SEE K-PL-7021575-0-DBP (Z81861).
 TOP DOC: K-AD-7021575-0-DBU
 MAG MEDIA FILE NAME: AD-7021575-00-DBUE
 DATA BASE 1/1, PLOT AT .50

THIRD ANGLE PROJECTION	DESIGNED BY T.A. FUCHS	DATE 12 JAN 84	TITLE digital
DO NOT SCALE DRAWING	DRAWN BY D. MILLER	DATE 31 MAY 85	CHASSIS ASSEMBLY
REMOVE BURRS AND BREAK SHARP CORNERS	DESIGNED BY R. DLCHARME	DATE 3 JUN 85	
MATERIAL SEE PARTS LIST	RESPONSE BY J. READ	DATE 3 JUN 85	DOCUMENT NUMBER
FINISH NONE	UPD BY D. SAJOAK	DATE 3 JUN 85	SIZE CODE K
	NEXT NUMBER AD-7021936-0-0		AD 7021575-0-DBU E
			SCALE NONE SHEET 1 OF 2

THIS DRAWING AND THE SPECIFICATIONS CONTAINED HEREIN ARE CONFIDENTIAL AND PROPRIETARY. THEY ARE THE PROPERTY OF DIGITAL EQUIPMENT CORPORATION AND SHALL NOT BE REPRODUCED OR COPIED OR USED IN WHOLE OR IN PART AS THE BASIS FOR THE MANUFACTURE OR SALE OF ITEMS WITHOUT WRITTEN PERMISSION. THIS IS AN UNCLASSIFIED WORK PROTECTED UNDER THE FEDERAL COPYRIGHT LAWS.



TITLE		CHASSIS ASSEMBLY		SIZE	CODE	NUMBER	REV
MAG MEDIA FILE NAME		AD-7021575-00-DBUE		K	AD	7021575-0-DBU	E
SCALE		NONE		SHEET		2 OF 2	

PLOT AT .50

AUTOMATED BY VAXKPL (V1.3)

PARTS LIST

SHEET A1 OF A1
QUANTITY PER VARIATION/REVISION

LINE	ITEM	TOP DOCUMENT	PART NUMBER	MIN REV	DESCRIPTION	01 D4
1	1	K-IA-7021171-0-DBU	70-21171-01	F	CHASSIS SUB ASSEMBLY	1
2	2		90-00042-15		SCREW,CAP ALLEN 2-56	2
3	3		12-22845-01		SW,SUBMINI,SPDT,LEVER ACTUATOR 0.1	1
4	4	K-IA-7021571-0-DBU	70-21571-01		HDA BOTTOM BAFFLE ASSEMBLY	1
5	5				*** THIS ITEM IS NOT USED ***	-
6	6	K-IA-7021592-0-DBU	70-21592-01		CABLE SPRING ASSEMBLY	1
7	7				*** THIS ITEM IS NOT USED ***	-
8	8	D-IA-7429936-0-0	74-29936-02		GASKET,EMI SEALING,14.8"	1
9	9		90-09636-00		CLAMP,CABLE ADH MNT 1	2
10	10	K-IA-7021469-0-DBU	70-21469-01		SERVO PRE-AMP CABLE ASSEMBLY	1
11	11				*** THIS ITEM IS NOT USED ***	-
12	12	D-IA-7021452-0-0	70-21452-01		BELT TENSION SWITCH HARNESS	1
13	13		90-07031-00		TIE,CABLE BUNDL.DIA 0- 3/4"=101	12
14	14		90-09771-04		CLAMP,CABLE,U CLIP,ADH.BACK 5/16	1

REVISION HISTORY			KPL MATRIX FORMAT		SECTION A OF A		DRN: F. ULUTASH		DIGITAL			
ENG	ECO NUMBER	REV	SECTION/VARIATION INDEX		DATE: 30-MAY-85		CHK'D: D. MILLER		TITLE PARTS LIST			
RD	PCA PET-120	AX00	[A]	01	DATE: 30-MAY-85		DATE: 30-MAY-85		CHASSIS ASSEMBLY			
RD	PCA PET-206	AX01	[B]				DES.ENG: R. DUCHARME		DOCUMENT NUMBER			
RD	PCA PET-251	AX02	[C]				DATE: 30-MAY-85		SIZE CODE NUMBER REV			
RD	PCA PET-316	A	[D]				RESP.ENG.: J. READ		K PL 7021575-0-DBP E			
DC	7021575-CX001	B	[E]				DATE: 30-MAY-85		RELEASE DATE: 28-MAR-88			
DC	7021575-CX002	C	[F]				MFG.ENG: D. SAJDAK		RELEASE STATUS: RELEASED			
DC	7021575-CX003	D	[H]				DATE: 30-MAY-85					
KJ	7021577-CX006	E	[J]									
BASIC PART NUMBER:			ASSEMBLY NUMBER:		TOP DOCUMENT NUMBER:		FILE NAME:		EDIT #			
7021575			K-AD-7021575-0-DBU		K-AD-7021575-0-DBU		Z8166E.PLS		4			

"THIS DRAWING AND THE SPECIFICATIONS CONTAINED HEREIN ARE CONFIDENTIAL AND PROPRIETARY. THEY ARE THE PROPERTY OF DIGITAL EQUIPMENT CORPORATION AND SHALL NOT BE REPRODUCED OR COPIED OR USED IN WHOLE OR IN PART AS THE BASIS FOR THE MANUFACTURE OR SALE OF ITEMS WITHOUT WRITTEN PERMISSION. THIS IS AN UNPUBLISHED WORK PROTECTED UNDER THE FEDERAL COPYRIGHT LAWS."

AUTOMATED BY VAXKPL (V1.3)

PARTS LIST

SHEET A1 OF A2

LINE	ITEM	TOP DOCUMENT	PART NUMBER	MIN REV	DESCRIPTION	01	02	QUANTITY PER VARIATION/REVISION
						E5	A2	
1	1	K-IA-7020532-0-DBU	70-20532-01		LOGIC WELDMENT	-	1	
2	2	K-MD-7021168-0-DBU	70-21168-01		FAN HOLDER ASSEMBLY	1	-	
3	3	K-MD-7429003-0-DBU	74-29003-01		GASKET, FOAM	-	1	
4	4		12-22929-04		*** THIS ITEM IS NOT USED ***	-	-	
5	5		90-09636-00		CLAMP, CABLE ADH MNT	1	2	
6	6	D-IA-7429936-0-0	74-29936-03		GASKET, EMI SEALING, 17.3"	2	-	
7	7	K-IA-7021470-0-DBU	70-21470-01		READ/WRITE CABLE ASSEMBLY	1	-	
8	8	D-AD-7021456-0-0	70-21456-01		LOGIC DC POWER HARNESS ASSY	1	-	
9	9	K-IA-7016740-0-DBU	70-16740-01	A	OCF CABLE ASSY W/GRD SHIELD	1	-	
10	10		12-13756-09		GROUND STRAP, 9"LG	1	-	
11	11		90-06565-00		NUT, HEX EXT TOOTH LCKWSHR 10-32X	1	-	
12	12		90-09546-00		SCREW, SEMS PAN PHIL 4-40	2	-	
13	13		90-07651-00		WASHER, LOCK EXTERNAL STEEL	1	-	
14	14		90-06655-00		WASHER, FLAT SST	2	-	
15	15		90-09932-00		BUMPER, DOME HD SPLIT STM NYLON	-	1	
16	16		90-10477-01		STANDOFF, 1/4 TURN NYLATCH	5	-	
17	17				*** THIS ITEM IS NOT USED ***	-	-	
18	18		90-06557-00		NUT, HEX EXT TOOTH LCKWSHR 4-40X	2	-	
19	19		70-21609-01		HHT CABLE	1	-	
20	20		90-10266-00		TIE, CABLE 7.312L	1	-	
21	21	SEE NOTE # 21	90-00052-01		RJVET, REPETITION CLINCH .125DIA	-	11	
22	22	B-DD-5414927-0-0	54-14927-01		OPERATOR CONTROL PANEL	1	-	
23	23		90-09984-00		SCREW SEMS PAN PHIL 6-32	2	-	
24	24		12-16875-06		FOAM, POLYURETHANE, ADH.BCKD, 16.5X00	-	1	
25	25	K-AD-7021589-0-DBU	70-21589-02		LOGIC ASSEMBLY	1	-	
26	26	K-IA-7021933-0-DBU	70-21933-01		LOGIC COVER ASSEMBLY	-	1	
27	27		12-16875-07		FOAM, POLYURETHANE, ADH.BCKD, 20.0X00	-	1	
28	28	K-MD-7429002-0-DBU	74-29002-01		SUPPORT	-	1	
29	29	K-AD-7023903-0-DBU	70-23903-01		LOWER FRONT PANEL ASSEMBLY	-	1	
30	30		90-09747-01		SUPPORT, C.B. NYLON WHT 1/4	5	-	
31	31		90-09718-01		GROMMET, STRIP STYRENE	2	-	
32	32	K-MD-7434388-0-DBU	74-34388-01		*** THIS ITEM IS NOT USED ***	-	-	

REVISION HISTORY			KPL MATRIX FORMAT		SECTION A OF A		DRN: A. POWELL		DIGITAL		
ENG	ECO NUMBER	REV	SECTION/VARIATION INDEX		CHK'D:	DATE: 09-JAN-84		TITLE PARTS LIST			
RD	PCA PET-212	AX01	[A]	01,02	D. MILLER	DATE: 09-JAN-84		LOGIC ASSEMBLY			
RD	PCA PET-238	AX02	[B]								
RD	PCA PET-251	AX03	[C]								
RD	PCA PET-316	A	[D]		R. DUCHARME	DATE: 09-JAN-84		DOCUMENT NUMBER			
DC	7021589-CX001	B	[E]					SIZE	CODE	NUMBER	REV
DC	7021577-CX02A	C	[F]		J. READ	DATE: 09-JAN-84		K	PL	7021589-0-DBP	H
DC	7021577-CX03A	D	[H]								
AM	7021589-CX002	E	[J]								
DC	7021575-CX003	F									
KJ	7021577-CX006	H			D. SAJDAK	DATE: 09-JAN-84		RELEASE DATE: 18-MAY-88			
								RELEASE STATUS: RELEASED			
BASIC PART NUMBER:			ASSEMBLY NUMBER:		TOP DOCUMENT NUMBER:			FILE NAME:		EDIT #	
7021589			K-AD-7021589-0-DBU		K-AD-7021589-0-DBU			Z8158H.PLS		2	

"THIS DRAWING AND THE SPECIFICATIONS CONTAINED HEREIN ARE CONFIDENTIAL AND PROPRIETARY. THEY ARE THE PROPERTY OF DIGITAL EQUIPMENT CORPORATION AND SHALL NOT BE REPRODUCED OR COPIED OR USED IN WHOLE OR IN PART AS THE BASIS FOR THE MANUFACTURE OR SALE OF ITEMS WITHOUT WRITTEN PERMISSION. THIS IS AN UNPUBLISHED WORK PROTECTED UNDER THE FEDERAL COPYRIGHT LAWS."

LINE ITEM	TOP DOCUMENT	PART NUMBER	MIN REV	DESCRIPTION	QTY
1	1 K-IA-7021172-0-DBU	70-21172-01		BASE PLATE WELDMENT	1
2	2 K-IA-7429004-0-DBU	74-29004-01 A		STIFFENER, REAR BASE	1
3	3	12-13686-07 A		MOUNTING RAIL, LH+RH W/O INTERLOCK	1
4	4 SEE NOTE # 4	90-00030-05		RIVET, BLIND DOME 0.156DX0.362LG	39
5	5	12-16902-00 C		MOUNT, SHOCK, RUBBER	4
6	6 K-MD-7429706-0-DBU	74-29706-01 A		BRACKET, POWER SUPPLY MOUNTING	1
7	7 K-MD-7429711-0-DBU	74-29711-01		BRACKET, CABLE	1
8	8 K-AD-7021574-0-DBU	70-21574-01		PULLEY BRACKET ASSEMBLY	1
9	9	74-32009-01		BRACKET, MOTOR PIVOT	1
10	10 K-MD-7432541-0-DBU	74-32541-01 A		RACKET, BELT RAMP	1
11	11 K-MD-7432048-0-DBU	74-32048-02 A		INTERLOCK, DRIVE ACTUATOR	1
12	12	10-16924-02 A		297 TO 324MFD 165V AL EL	1
13	13 SEE NOTE # 13	90-00052-01		RIVET, REPETITION CLINCH .125DIA	2
14	14 K-IA-7021169-0-DBU	70-21169-01		MOTOR BAFFLE ASSEMBLY	1

4 NOTE: ITEM 4, ALTERNATE PART NO. 90-00052-10, RIVET REPETITION .156 X .339, QTY. 39 IS ALLOWABLE.
13 NOTE: ITEM 13, ALTERNATE PART NO. 90-00030-09, RIVET, BLIND, DOME, .125 DIA X .275LG, QTY. 2, IS ALLOWABLE.

REVISION HISTORY		KPL MATRIX FORMAT		SECTION A OF A		DRN: C. BULLARD		DIGITAL	
ENG	ECO NUMBER	REV	SECTION/VARIATION INDEX	DATE	CHK'D	TITLE	DATE	SIZE	CODE
RD	PCA PET-109	AX01	[A] 01	10-APR-85	D. MILLER	PARTS LIST	10-APR-85		
RD	PCA PET-196	AX02	[B]			CHASSIS SUB ASSEMBLY			
RD	PCA PET-213	AX03	[C]						
RD	PCA PET-311	A	[D]		R. DUCHARME				
DC	7021575-CX001	B	[E]	10-APR-85		DOCUMENT NUMBER			
DC	7021575-CX002	C	[F]		J. READ	NUMBER			REV
			[H]	10-APR-85		7021171-0-DBP			C
			[J]						
					D. SAJDAK	RELEASE DATE: 03-NOV-86			
				10-APR-85		RELEASE STATUS: RELEASED			
BASIC PART NUMBER:		ASSEMBLY NUMBER:		TOP DOCUMENT NUMBER:		FILE NAME:		EDIT #	
7021171		K-IA-7021171-0-DBU		K-IA-7021171-0-DBU		Z8117C.PLS		2	

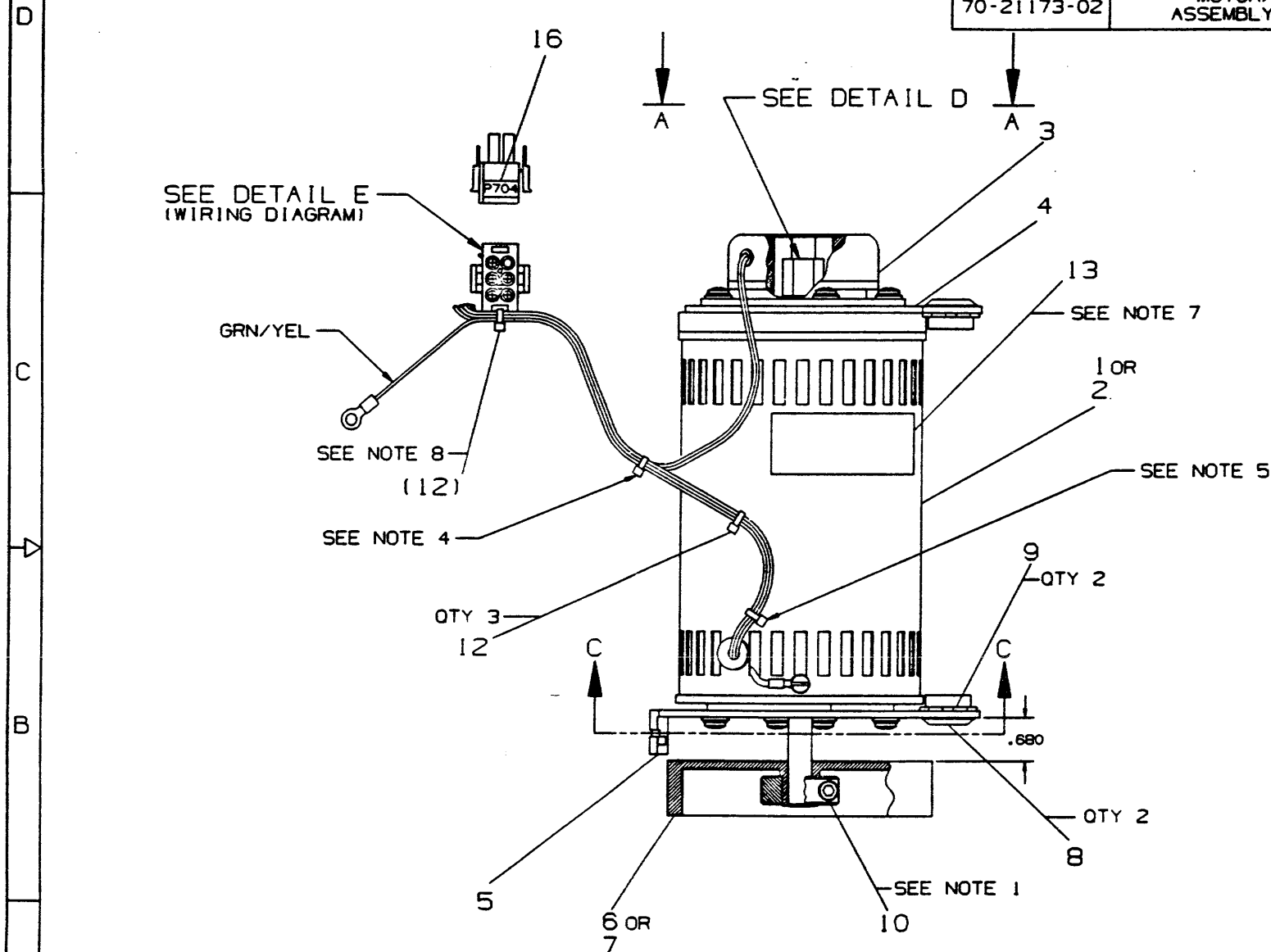
"THIS DRAWING AND THE SPECIFICATIONS CONTAINED HEREIN ARE CONFIDENTIAL AND PROPRIETARY. THEY ARE THE PROPERTY OF DIGITAL EQUIPMENT CORPORATION AND SHALL NOT BE REPRODUCED OR COPIED OR USED IN WHOLE OR IN PART AS THE BASIS FOR THE MANUFACTURE OR SALE OF ITEMS WITHOUT WRITTEN PERMISSION. THIS IS AN UNPUBLISHED WORK PROTECTED UNDER THE FEDERAL COPYRIGHT LAWS."

THIS DRAWING AND THE SPECIFICATIONS CONTAINED HEREIN ARE CONFIDENTIAL AND PROPRIETARY. THEY ARE THE PROPERTY OF DIGITAL EQUIPMENT CORPORATION AND SHALL NOT BE REPRODUCED OR COPIED IN WHOLE OR IN PART AS THE BASIS FOR THE MANUFACTURE OR SALE OF ITEMS WITHOUT WRITTEN PERMISSION. THIS IS AN UNPUBLISHED WORK PROTECTED UNDER THE FEDERAL COPYRIGHT LAWS.

LEGEND		
PART NO.	VARIATION	PART REV
70-21173-01	MOTOR/BRAKE ASSEMBLY (60HZ)	A3
70-21173-02	MOTOR/BRAKE ASSEMBLY (150HZ)	A3

NOTES:

- CAP SCREW SUPPLIED WITH CLAMP (ITEM 10) SHOULD BE TIGHTENED TO A TORQUE OF 60 ± 5 IN LBS.
- INSTALL THE TWO WIRES FROM THE BRAKE (ITEM 2) INTO PIN LOCATIONS 5 AND 6 IN CONNECTOR P 704 (SUPPLIED WITH MOTOR, ITEM 1 OR 2).
- ASSEMBLE ROTOR HUB (SUPPLIED WITH BRAKE ITEM 3) TO UPPER MOTOR SHAFT. SET SCREWS IN ROTOR-HUB MUST BE ALIGNED WITH FLATS ON MOTOR SHAFT. APPLY ADHESIVE (ITEM 11) TO SET SCREWS (PART OF ITEM 3). REMOVE EXCESS ADHESIVE. TORQUE SCREWS TO 13 ± 1 IN LBS.
- THIS TIE WRAP TO BE LOCATED $4.0 \pm .5$ FROM CONNECTOR P 704. INSTALL OTHER TIE WRAPS (ITEM 12) APPROX AS SHOWN.
- TIE WRAP IS SUPPLIED WITH MOTOR.
- TORQUE SCREWS TO 12-15 IN LBS. ALIGN END BRACKETS (ITEM'S 4 AND 5) PER VIEWS A-A AND C-C.
- PLACE LABEL APPROX WHERE SHOWN. LABEL (ITEM 13) TO BE FILLED IN PER DEC STD 047 BAR CODE SYMBOLOLOGY CRITERIA AND SHALL CONTAIN THE PART NUMBER AND REV LEVEL. CONFIGURATION OF LABEL ARTWORK IS THE VENDORS OPTION.
- INSTALL TIE WRAP (ITEM 12) THRU LUG ON CONNECTOR P704 AND AROUND WIRE BUNDLE AS SHOWN.



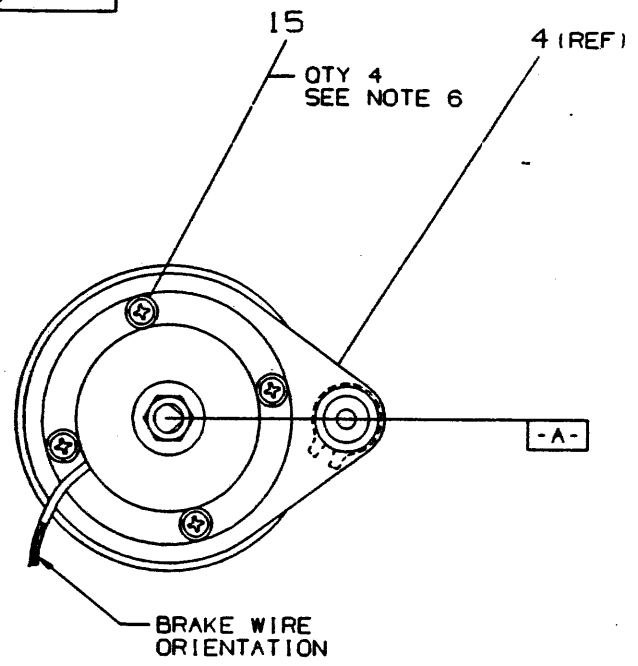
REVISION HISTORY		PART REV
DATE	ECC NUMBER	70-21173-01/A3
89	7021173-01/A3	01/A3
89	7021173-02/A3	02/A3
89	7021173-03/A3	03/A3
89	7021173-04/A3	04/A3
89	7021173-05/A3	05/A3
89	7021173-06/A3	06/A3
89	7021173-07/A3	07/A3
89	7021173-08/A3	08/A3
89	7021173-09/A3	09/A3
89	7021173-10/A3	10/A3
89	7021173-11/A3	11/A3
89	7021173-12/A3	12/A3
89	7021173-13/A3	13/A3
89	7021173-14/A3	14/A3
89	7021173-15/A3	15/A3
89	7021173-16/A3	16/A3

TOLERANCES	
INCHES	ANGLES
.0001	30°
.0002	30°
.0005	30°
SURFACE QUALITY	
✓	

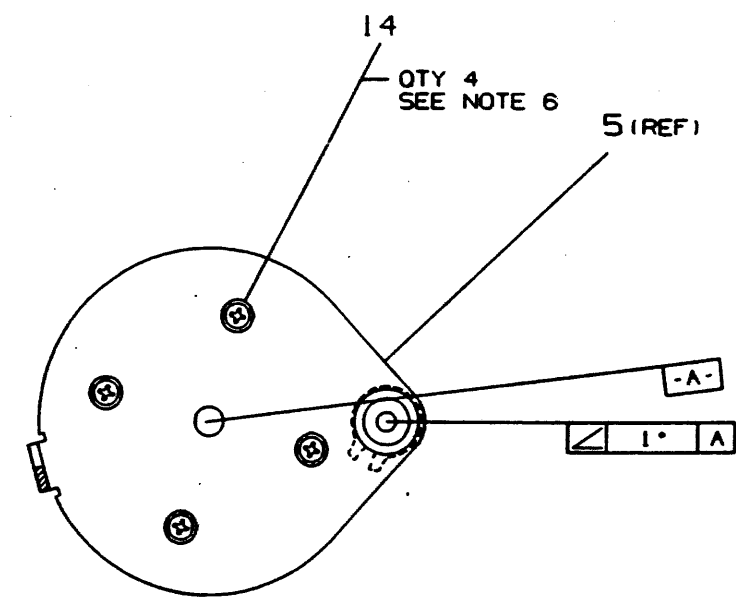
CAUTION: OFF-SHEET PARTS LIST EXISTS. SEE K-PL-7021173-0-DBP (28119).
 TOP DOC: K-AD-7021173-0-DBU
 MAG MEDIA FILE NAME: 7021173-0-DBU
 DATA BASE 1/1, PLOT AT 1.0

DO NOT SCALE DRAWING	REMOVE BURRS AND BREAK SHARP CORNERS	MATERIAL SEE PARTS LIST	FINISH NONE	DATE	BY	TITLE	DOCUMENT NUMBER
DO NOT SCALE DRAWING	REMOVE BURRS AND BREAK SHARP CORNERS	MATERIAL SEE PARTS LIST	FINISH NONE	29 MAY 85	T. FALETTE	MOTOR/BRAKE ASSEMBLY	K AD 7021173-0-DBU 8
				29 MAY 85	D. MILLER		
				29 MAY 85	R. DUCHARME		
				29 MAY 85	J. READ		
				29 MAY 85	D. SAJDAK		
				29 MAY 85	D-AD-7021577-0-0		

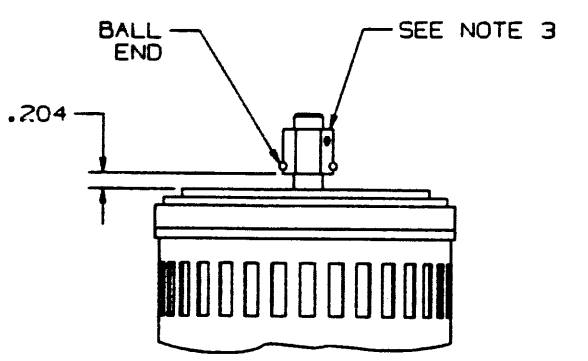
THIS DRAWING AND THE SPECIFICATIONS CONTAINED HEREIN ARE CONFIDENTIAL AND PROPRIETARY. THEY ARE THE PROPERTY OF DIGITAL EQUIPMENT CORPORATION AND SHALL NOT BE REPRODUCED OR COPIED OR USED IN WHOLE OR IN PART AS THE BASIS FOR THE MANUFACTURE OR SALE OF ITEMS WITHOUT WRITTEN PERMISSION. THIS IS AN UNPUBLISHED WORK PROTECTED UNDER THE FEDERAL COPYRIGHT LAWS.



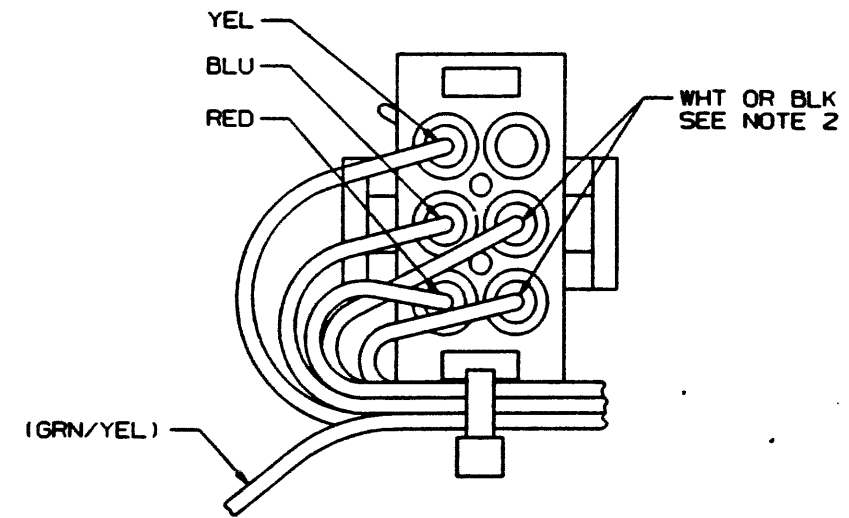
VIEW A-A



SECTION C-C



DETAIL D
SHOWN WITH BRAKE (ITEM 3) AND
TOP MOTOR BRACKET (ITEM 4) REMOVED



DETAIL E
(WIRING DIAGRAM)

PLOT AT 1.0

TITLE	MOTOR/BRAKE ASSEMBLY	SIZE/CODE	K AD	NUMBER	7021173-0-000	REV	B
WHD MEDIA FILE NAME:	7021173-0-000	SCALE:	NONE	SHEET	2	OF	2

PARTS LIST

LINE ITEM	TOP DOCUMENT	PART NUMBER	MIN REV	DESCRIPTION	G1	O2	QUANTITY PER VARIATION/REVISION
					A3	A3	
1	1	12-16578-00	D	MOTOR,115VAC CAP START	1	-	
2	2	12-16578-02	D	MOTOR,220VAC CAP.START SINGLE PHAS	-	1	
3	3	12-16577-01	A	BRAKE,ELECTROMAGNETIC,FAIL SAFE 16	1	1	
4	4	K-MD-7429703-0-DBU	A	BRACKET,MOTOR, TOP	1	1	
5	5	K-MD-7429672-0-DBU	A	BRACKET,MOTOR,BOTTOM	1	1	
6	6	K-MD-7429712-0-DBU		PULLEY,MOTOR	1	-	
7	7	K-MD-7429712-0-DBU		PULLEY,MOTOR (50 HZ)	-	1	
8	8	12-22644-01	A	ISOLATOR,VIBRATION,MOTOR	2	2	
9	9	90-10511-01	A	RING,RETAINER EXTERNAL FOR .750SH	2	2	
10	10	12-16830-01		CLAMP, SPINDLE PULLEY 9/16BOREX1 1	1	1	
11	11	49-01344-00	B	ADHESIVE,SEALANT,LO-STRENGTH,THD L	A/R	A/R	
12	12	90-07031-00	B	TIE,CABLE BUNDL.DIA 0- 3/4"=101	3	3	
13	13	36-21711-05	A	LABEL,BAR CODE 2.20X .90	1	1	
14	14	90-09984-08		SCREW,SEMS,PAN PHIL 8-32X	4	4	
15	15	90-09984-09		SCREW,SEMS,PAN PHIL 8-32X	4	4	
16	16	36-16923-15		LABEL,P704,MOTOR 1 BRAKE	1	1	

1 GEN: PART NO.
 2 GEN: 70-21173-01 60HZ
 3 GEN: 70-21173-02 50HZ

REVISION HISTORY			KPL MATRIX FORMAT		SECTION A OF A		DRN: F. ULUTAS		DIGITAL			
ENG	ECO NUMBR	REV	SECTION/VARIATION INDEX		DATE:	04-NOV-85						
JR	PCA PET-330	A	[A]	01,02	CHK'D:	D. MILLER		TITLE PARTS LIST				
JR	7021173-CX001	B	[B]		DATE:	28-MAR-86		MOTOR/BRAKE ASSEMBLY				
			[C]		DES.ENG:	B. DUCHARME						
			[D]		DATE:	28-MAR-86		DOCUMENT NUMBER				
			[E]		RESP.ENG.:	G. HART		SIZE	CODE	NUMBER	REV	
			[F]		DATE:	28-MAR-86		K	PL	7021173-0-DBP	B	
			[G]		MFG.ENG:	W. EHRMANN		RELEASE DATE: 23-MAY-86				
			[H]		DATE:	28-MAR-86		RELEASE STATUS: RELEASED				
			[J]									
BASIC PART NUMBER:		ASSEMBLY NUMBER:		TOP DOCUMENT NUMBER:		FILE NAME:		EDIT #				
7021173		K-AD-7021173-0-DBU		K-AD-7021173-0-DBU		Z8119B.PLS		3				

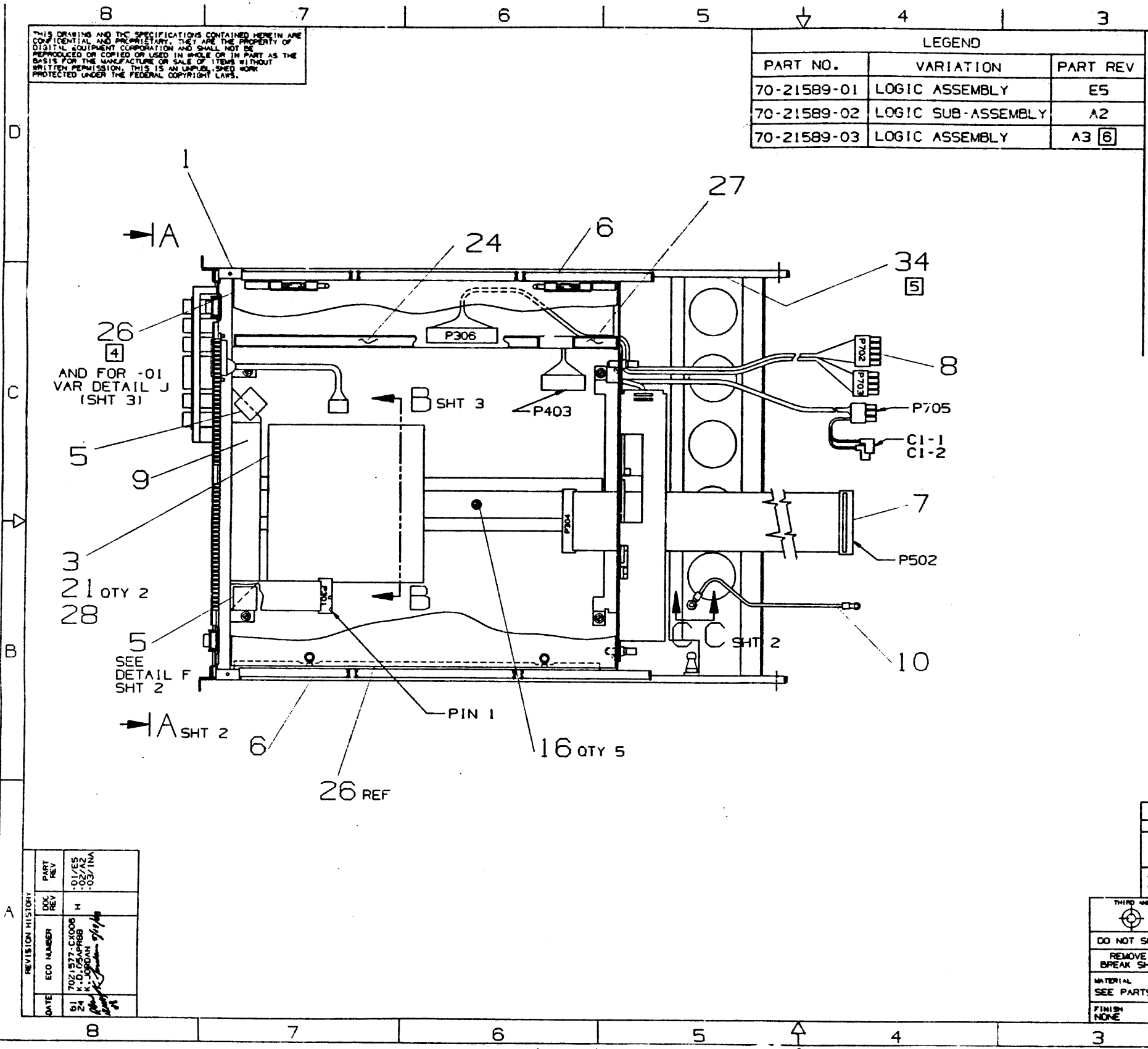
Rm
23 May 86

"THIS DRAWING AND THE SPECIFICATIONS CONTAINED HEREIN ARE CONFIDENTIAL AND PROPRIETARY. THEY ARE THE PROPERTY OF DIGITAL EQUIPMENT CORPORATION AND SHALL NOT BE REPRODUCED OR COPIED OR USED IN WHOLE OR IN PART AS THE BASIS FOR THE MANUFACTURE OR SALE OF ITEMS WITHOUT WRITTEN PERMISSION. THIS IS AN UNPUBLISHED WORK PROTECTED UNDER THE FEDERAL COPYRIGHT LAWS."

THIS DRAWING AND THE SPECIFICATIONS CONTAINED HEREIN ARE CONFIDENTIAL AND PROPRIETARY. THEY ARE THE PROPERTY OF DIGITAL EQUIPMENT CORPORATION AND SHALL NOT BE REPRODUCED OR COPIED OR USED IN WHOLE OR IN PART AS THE BASIS FOR THE MANUFACTURE OR SALE OF ITEMS WITHOUT WRITTEN PERMISSION. THIS IS AN UNPUBLISHED WORK PROTECTED UNDER THE FEDERAL COPYRIGHT LAWS.

LEGEND		
PART NO.	VARIATION	PART REV
70-21589-01	LOGIC ASSEMBLY	E5
70-21589-02	LOGIC SUB-ASSEMBLY	A2
70-21589-03	LOGIC ASSEMBLY	A3 [6]

- NOTES:
- WORKMANSHIP TO COMPLY WITH DEC STD 116.
 - DEC PART NO. (70-21589-01), LATEST PART REV AND VENDOR I.D. TO BE MARKED ON SHIPPING CONTAINER. DO NOT MARK PART.
 - PART TO BE PACKAGED TO PREVENT DAMAGE IN HANDLING AND SHIPPING PER VENDOR SPEC.
 - ALL FASTENERS ON ITEM 26 ARE TO BE PROPERLY ENGAGED TO ITEM 1.
 - IDENTIFY PER DEC STD 031 AND DEC STD 047 BAR CODE SYMBOLOGY CRITERIA.
 - 70-21589-03 PART REV A3 INACTIVATED ECO 7021577-CX006 (6124).



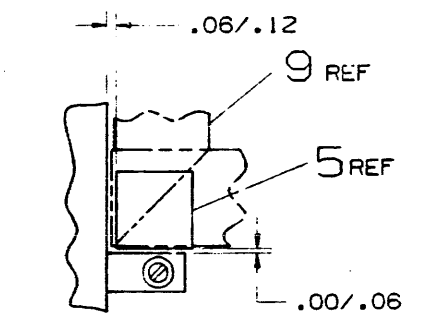
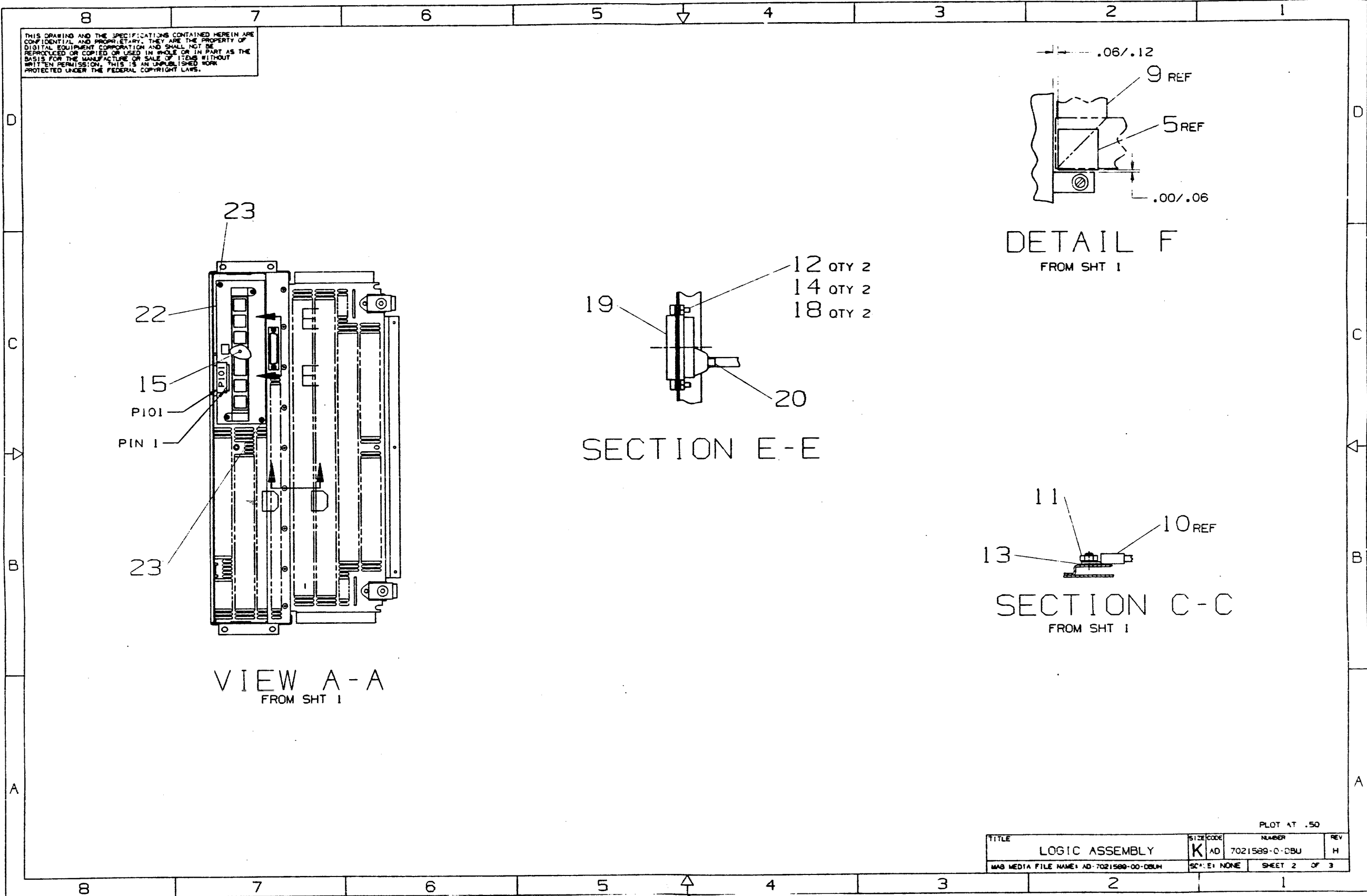
REVISION HISTORY		PART REV	DATE
ECO NUMBER	DOC REV	H	
7021577-CX006			
M.D. PARSONS			
K. JORDAN			

TOLERANCES	
INCHES	ANGLES
.XX1 ±.01	
.XX2 ±.02	±0° 30'
.XX3 ±.03	
SURFACE QUALITY	
✓	

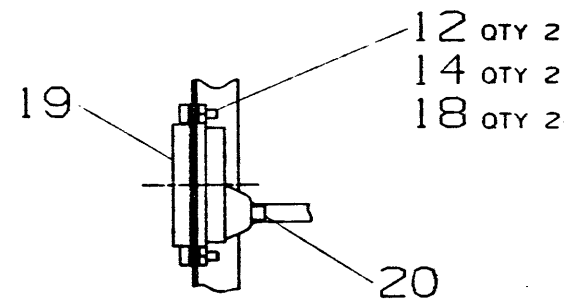
CAUTION: OFF-SHEET PARTS LIST EXISTS.
 SEE K-PL-7021589-0-DBP (2815R).
 TOP DOC: K-AD-7021589-0-DBU
 MAG MEDIA FILE NAME: AD-7021589-00-DBUH
 DATA BASE 1/1, PLOT AT .50

THIRD ANGLE PROJECTION	DRN T.A. FUCHS	DATE 28DEC83	TITLE digital
DO NOT SCALE DRAWING	DWG D. MILLER	DATE 31MAY85	LOGIC ASSEMBLY
REMOVE BURRS AND BREAK SHARP CORNERS	DES Dwg R. DUCHARME	DATE 3JUN85	
MATERIAL SEE PARTS LIST	REP Dwg J. READ	DATE 3JUN85	DOCUMENT NUMBER
FINISH NONE	WFO Dwg D. SAJOAK	DATE 3JUN85	SIZE CODE K
	NEXT NUMBER SET D-AD-7021936-0-0		AD 7021589-0-DBU
			SCALE NONE
			SHEET 1 OF 3

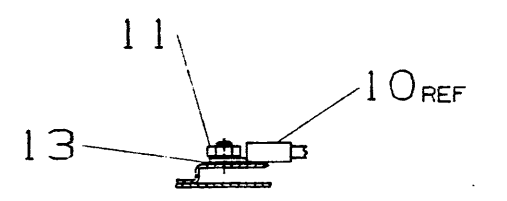
THIS DRAWING AND THE SPECIFICATIONS CONTAINED HEREIN ARE CONFIDENTIAL AND PROPRIETARY. THEY ARE THE PROPERTY OF DIGITAL EQUIPMENT CORPORATION AND SHALL NOT BE REPRODUCED OR COPIED OR USED IN WHOLE OR IN PART AS THE BASIS FOR THE MANUFACTURE OR SALE OF ITEMS WITHOUT WRITTEN PERMISSION. THIS IS AN UNPUBLISHED WORK PROTECTED UNDER THE FEDERAL COPYRIGHT LAWS.



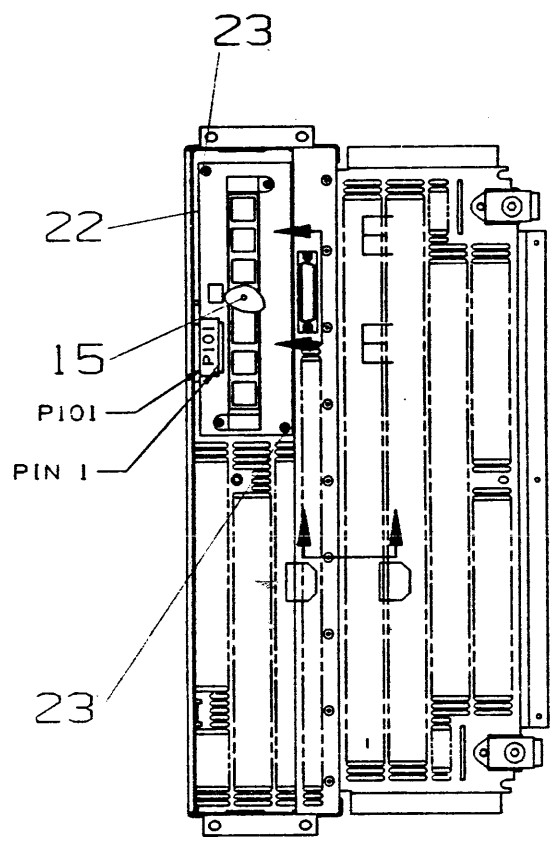
DETAIL F
FROM SHT 1



SECTION E-E



SECTION C-C
FROM SHT 1

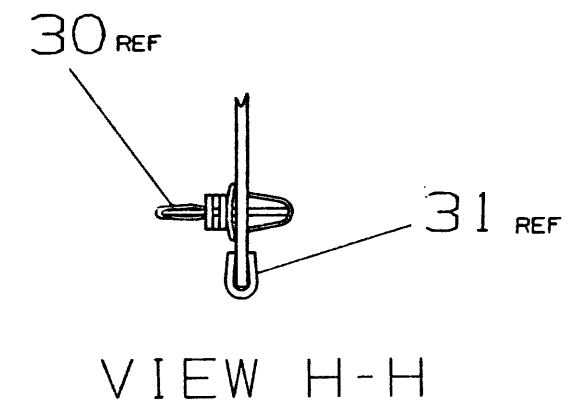
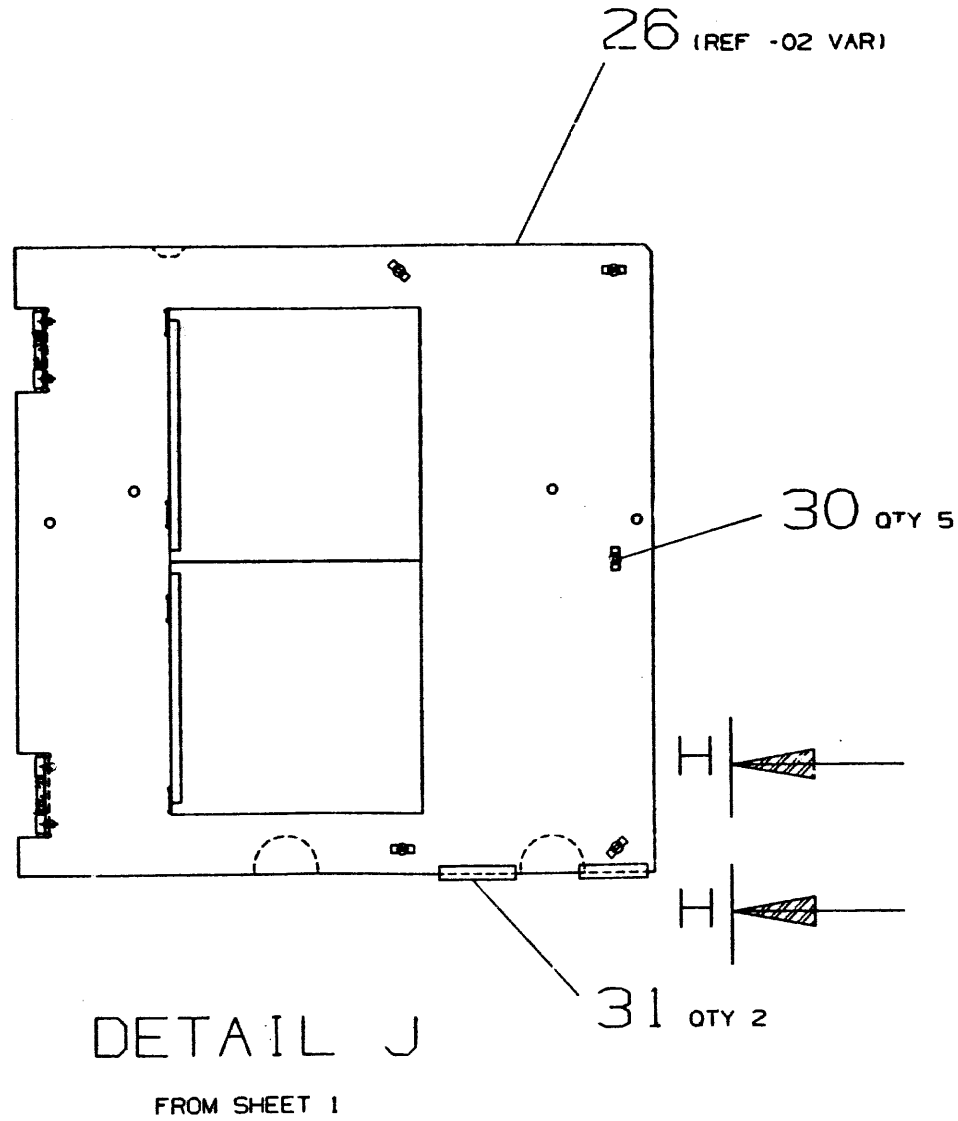
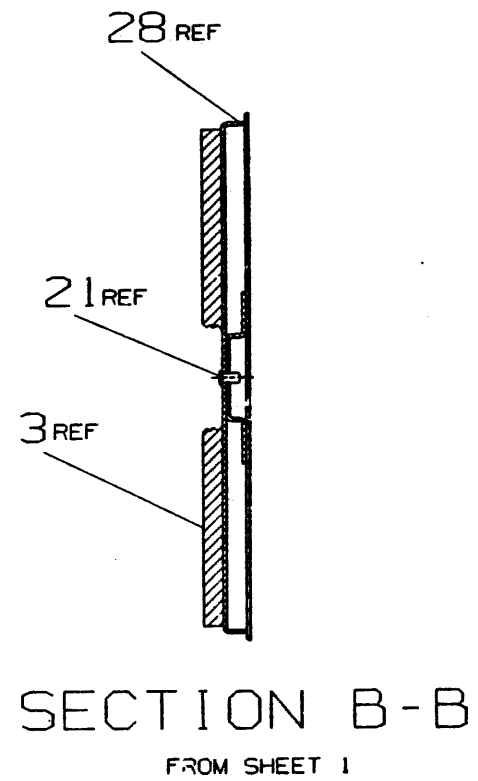


VIEW A-A
FROM SHT 1

PLOT AT .50

TITLE	SIZE CODE	NUMBER	REV
LOGIC ASSEMBLY	K AD	7021589-0-DBU	H
MAG MEDIA FILE NAME: AD-7021589-00-DBUH		SCALE: NONE	SHEET 2 OF 3

THIS DRAWING AND THE SPECIFICATIONS CONTAINED HEREIN ARE CONFIDENTIAL AND PROPRIETARY. THEY ARE THE PROPERTY OF DIGITAL EQUIPMENT CORPORATION AND SHALL NOT BE REPRODUCED OR COPIED OR USED IN WHOLE OR IN PART AS THE BASIS FOR THE MANUFACTURE OR SALE OF ITEMS WITHOUT WRITTEN PERMISSION. THIS IS AN UNPUBLISHED WORK PROTECTED UNDER THE FEDERAL COPYRIGHT LAWS.



TITLE		SIZE/CODE	NUMBER	REV
LOGIC ASSEMBLY		K AD	7021569-0-CBU	H
MAG MEDIA FILE NAME: AD-7021569-00-DBUH		SCALE: NONE	SHEET 3 OF 3	

PLOT AT .50

AUTOMATED BY VAXKPL (V1.3)

PARTS LIST

SHEET A2 OF A2

LINE	ITEM	TOP DOCUMENT	PART NUMBER	MIN REV	DESCRIPTION	01	02	QUANTITY PER VARIATION/REVISION
33	33		90-00001-06		*** THIS ITEM IS NOT USED ***	-	-	
34	34		36-22963-05		LABEL, BAR CODE, BLANK	1	-	

21 NOTE: ITEM 21, ALTERNATE PART NUMBER 90-00030-09, RIVET, BLIND, DOME .125 DIA X .275 LG, QTY 11 IS ALLOWABLE. (SEE NOTE 29)
29 NOTE: ITEMS 21,29: FOR OVERSEAS/LONG DISTANCE SHIPPING, IT'S PERMISSIBLE TO DEL ITEM 21 AND SHIP -02 VAR. W/ITEM 29 UNATTACHED

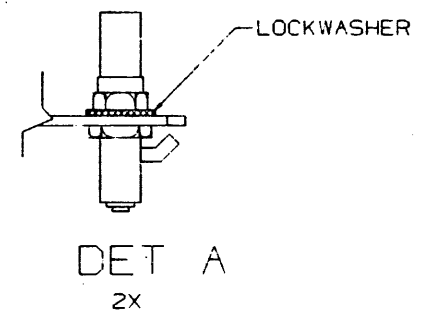
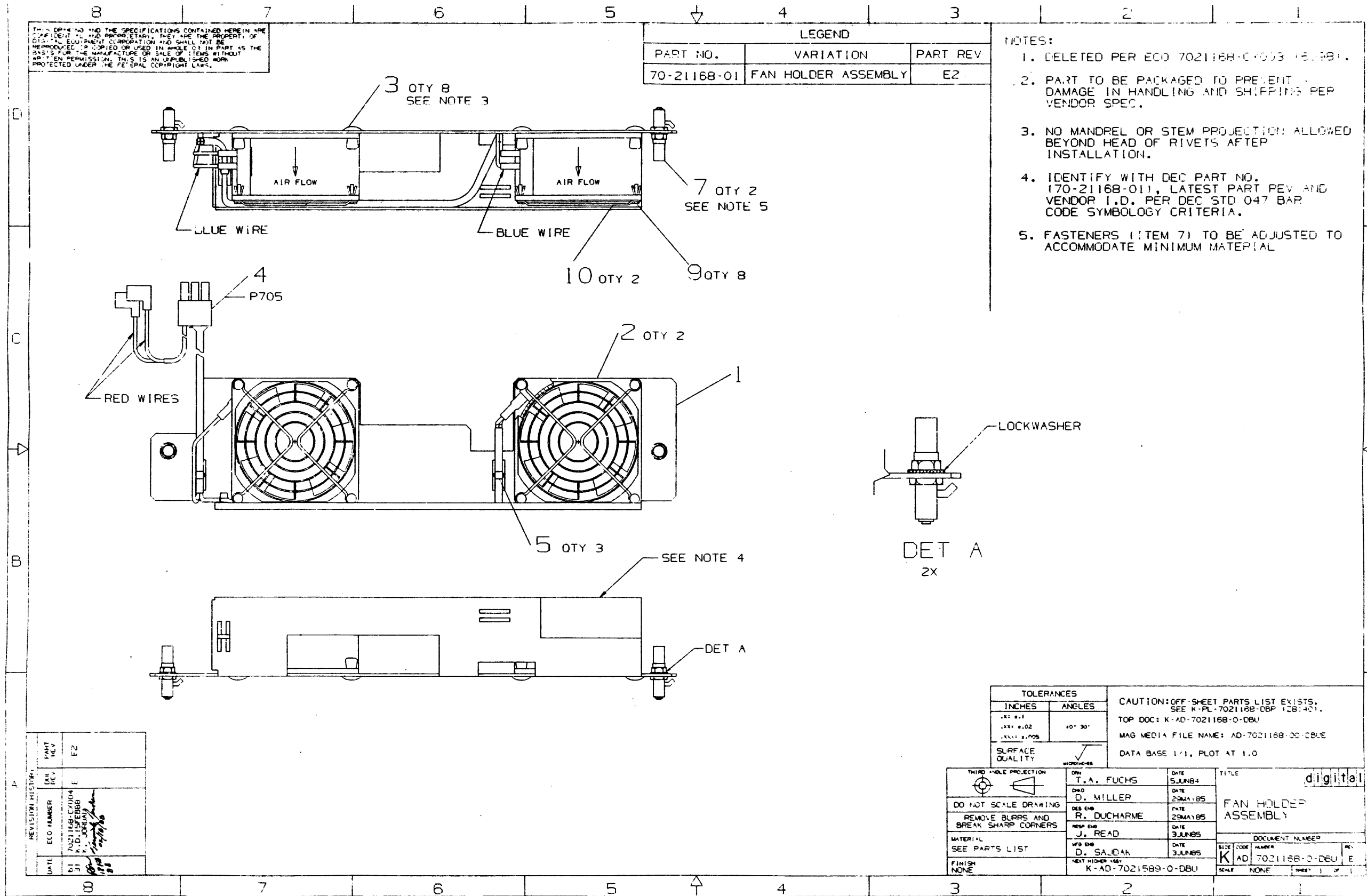
1 GEN: LEGEND
2 GEN: PART NO. VARIATION
3 GEN: 70-21589-01 LOGIC ASSEMBLY
4 GEN: 70-21589-02 LOGIC SUB-ASSEMBLY
5 GEN: 70-21589-03 VARIATION -03 NO LONGER USED.

D	I	G	I	T	A	L	TITLE	LOGIC ASSEMBLY	SECTION A OF A	SIZE	CODE	DOCUMENT NUMBER	REV
										K	PL	7021589-0-DBP	H

THIS DRAWING AND THE SPECIFICATIONS CONTAINED HEREIN ARE THE PROPERTY OF THE EQUIPMENT CORPORATION AND SHALL NOT BE REPRODUCED, COPIED OR USED IN WHOLE OR IN PART AS THE BASIS FOR THE MANUFACTURE OR SALE OF ITEMS WITHOUT WRITTEN PERMISSION. THIS IS AN UNPUBLISHED WORK PROTECTED UNDER THE FEDERAL COPYRIGHT LAWS.

LEGEND		
PART NO.	VARIATION	PART REV
70-21168-01	FAN HOLDER ASSEMBLY	E2

- NOTES:
1. DELETED PER ECO 7021168-C-003 (6-1981).
 2. PART TO BE PACKAGED TO PREVENT DAMAGE IN HANDLING AND SHIPPING PER VENDOR SPEC.
 3. NO MANDREL OR STEM PROJECTION ALLOWED BEYOND HEAD OF RIVETS AFTER INSTALLATION.
 4. IDENTIFY WITH DEC PART NO. (70-21168-01), LATEST PART REV AND VENDOR I.D. PER DEC STD 047 BAR CODE SYMBOLOGY CRITERIA.
 5. FASTENERS (ITEM 7) TO BE ADJUSTED TO ACCOMMODATE MINIMUM MATERIAL



TOLERANCES	
INCHES	ANGLES
.XXX ±.01	10° 30'
.XXX ±.02	
.XXX ±.005	
SURFACE QUALITY	
MICROINCHES	

CAUTION: OFF-SHEET PARTS LIST EXISTS. SEE K-PL-7021168-DBP 1281401.
TOP DOC: K-AD-7021168-0-DBU
MAG MEDIA FILE NAME: AD-7021168-00-DBU
DATA BASE 1/1, PLOT AT 1.0

REVISION HISTORY		PART REV
DATE	ECO NUMBER	E2
01	7021168-01	
01	7021168-01	

THIRD ANGLE PROJECTION	DRW T.A. FUCHS	DATE 5 JUN 85	TITLE digital
DO NOT SCALE DRAWING	DES D. MILLER	DATE 29 MAY 85	FAN HOLDER ASSEMBLY
REMOVE BURRS AND BREAK SHARP CORNERS	DES ENR R. DUCHARME	DATE 29 MAY 85	
MATERIAL SEE PARTS LIST	RESP ENR J. READ	DATE 3 JUN 85	DOCUMENT NUMBER
FINISH NONE	WFO ENR D. SAJDAK	DATE 3 JUN 85	SIZE CODE
	NEXT HIGHEN 1851		K AD 7021168-0-DBU E
	K-AD-7021589-0-DBU		SCALE NONE SHEET 1 OF 1

AUTOMATED BY VAMKPL (V1.3)

PARTS LIST

SHEET A1 OF A1
QUANTITY PER VARIATION/REVISION

LINE	ITEM	TOP DOCUMENT	PART NUMBER	MIN REV	DESCRIPTION	01 E2
1	1	K-IA-7429657-0-DBU	74-29657-01	H	HOLDER, FAN	1
2	2		12-10719-03		FAN, TUBE AXIAL 3.0" 34CFM 115VAC	2
3	3		90-06511-00		RIVET, BLIND DOME 0.156DX0.425LG	8
4	4	D-IA-7021453-0-0	70-21453-01		LOGIC AC HARNESS	1
5	5		90-07031-00	B	TIE, CABLE BUNDL.DIA 0- 3/4"=101	3
6	6		36-18460-03	B	LABEL, BAR CODE BLANK .90 X2.2	1
7	7		12-12939-05		FASTENER ASSY, HOOKED PAWL RT HAND	2
8	8		49-01344-00		ADHESIVE, SEALANT, LO-STRENGTH, THD L	A/R
9	9		90-10413-01		PIVET, BLIND, BINDER .156DX .312L	8
10	10		12-12580-00		GUARD, FINGER, WIRE, 2.81"MTG CENTERS	2

REVISION HISTORY			KPL MATRIX FORMAT SECTION A OF A		DRN: A. POWELL	D I G I T A L				
ENG	ECO NUMBER	REV	SECTION/VARIATION INDEX		DATE: 01-DEC-83	TITLE PARTS LIST				
RD	PCA PET-115	AX01	[A]	01	CHK'D: D. MILLER	FAN HOLDER ASSEMBLY				
RD	PCA PET-172	AX02	[B]		DATE: 01-DEC-83					
RD	PCA PET-217	AX03	[C]		DES.ENG: R. DUCHARME					
RD	PCA PET-251	AX04	[D]		DATE: 01-DEC-83	DOCUMENT NUMBER				
RD	PCA PET-316	A	[E]			SIZE	CODE	NUMBER	REV	
DC	7021168-CX001	B	[F]		RESP.ENG.: J. READ	K	PL	7021168-0-DBP	E	
DC	7021168-CX002	C	[H]		DATE: 01-DEC-83					
DC	7021168-CX003	D	[J]			RELEASE DATE: 12-FEB-88				
KJ	7021168-CX004	E			MFG.ENG: D. SAJDAK	RELEASE STATUS: RELEASED				
					DATE: 01-DEC-83					
BASIC PART NUMBER:			ASSEMBLY NUMBER:		TOP DOCUMENT NUMBER:		FILE NAME:		EDIT #	
7021168			K-AD-7021168-0-DBU		K-AD-7021168-0-DBU		Z8140E.PLS		1	

THIS DRAWING AND THE SPECIFICATIONS CONTAINED HEREIN ARE CONFIDENTIAL AND PROPRIETARY. THEY ARE THE PROPERTY OF DIGITAL EQUIPMENT CORPORATION AND SHALL NOT BE REPRODUCED OR COPIED OR USED IN WHOLE OR IN PART AS THE BASIS FOR THE MANUFACTURE OR SALE OF ITEMS WITHOUT WRITTEN PERMISSION. THIS IS AN UNPUBLISHED WORK PROTECTED UNDER THE FEDERAL COPYRIGHT LAWS.

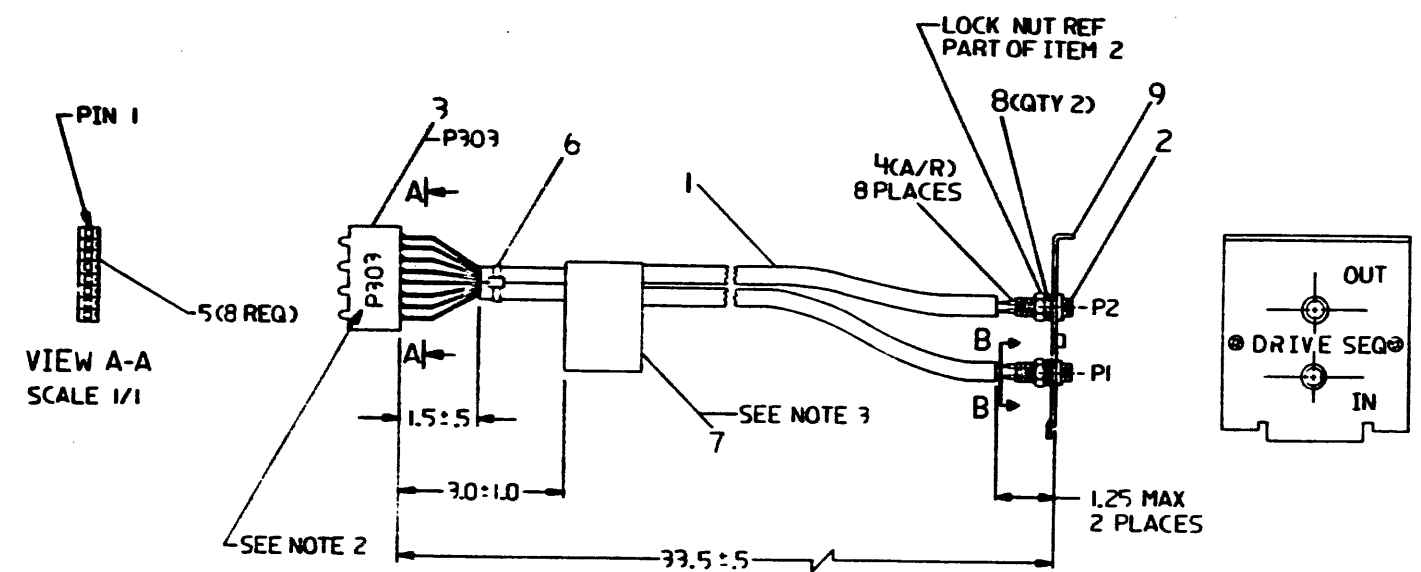
8 6 5 4 3 2 1

ALL DIMENSIONS AND TOLERANCES UNLESS OTHERWISE SPECIFIED ARE IN INCHES. DIMENSIONS IN PARENTHESES ARE RECOMMENDED. DIMENSIONS IN SQUARE BRACKETS ARE TO BE USED IF THE PART IS MANUFACTURED IN A COUNTRY OTHER THAN THE UNITED STATES OF AMERICA. DIMENSIONS IN SQUARE BRACKETS ARE TO BE USED IF THE PART IS MANUFACTURED IN A COUNTRY OTHER THAN THE UNITED STATES OF AMERICA.

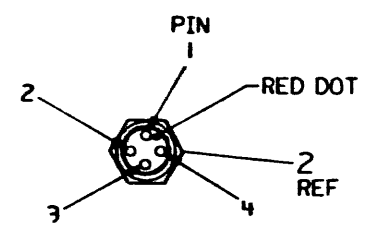
WIRE TABLE						
ITEM	DESCRIPTION	FROM	TO	DESCRIPTION	FROM	TO
NO	AWG	COLOR	CONN	WITH	CONN	WITH
1	22	BLK	P303-1	ITEM 5	PI-1	ITEM 2
		RED	P303-2		PI-2	
		GRN	P303-3		PI-3	
		WHT	P303-4		PI-4	
		GRN	P303-5		P2-3	
		WHT	P303-6		P2-4	
		BLK	P303-7		P2-1	
1	22	RED	P303-8	ITEM 5	P2-2	ITEM 2

LEGEND		
PART NO.	VARIATION	PART REV
7021590-01	SEQUENCE CABLE/ PANEL ASSEMBLY	C2

- NOTES:
- FABRICATE PER DEC STD-116 SEC. 3.
 - PERMANENTLY MARK .19 HIGH CHARACTERS, WITH BLACK INDELIBLE INK APPROX. WHERE SHOWN.
 - LABLE (ITEM 7) TO BE FILLED IN AS FOLLOWS:
PART NO PART DESCRIPTION
PART REV DATE OF BUILD
MFG (STAMP) TEST (STAMP) INSP (STAMP)
 - CABLE TO BE PACKAGED TO PREVENT DAMAGE IN HANDLING AND SHIPPING PER VENDOR SPEC.



VIEW A-A
SCALE 1/1



SECTION B-B
SCALE 2/1
2 PLACES

TOP DOC: D-IA-7021590-0-0
CAUTION: OFF SHEET PARTS LIST EXISTS. SEE
K-PL-7021590-0-DBP (Z8159)

REV	DATE	DESCRIPTION
A		C1 RELEASE TO ECO CONTROL PER RAC REV-315 RAC 28 MAY 85 R. DUCHAMP
B		C2 RELEASE TO ECO CONTROL PER RAC REV-315 RAC 28 MAY 85 R. DUCHAMP
C		C2 RELEASE TO ECO CONTROL PER RAC REV-315 RAC 28 MAY 85 R. DUCHAMP

DESCRIPTION	DRAWING NO	PART NO	ITEM NO
UNLESS OTHERWISE SPECIFIED DIMENSIONS ARE IN INCHES AND THE FOLLOWING TOLERANCES APPLY (PER DEC STD 114)			
INCHES TOLERANCES X ± .1 XX ± .02 XXX ± .005	ANGLES ± 0°30'	APPLICABLE DIMENSION RANGE	
		DIMENSION RANGE IN INCHES	
SURFACE QUALITY (CHECK ONE)	MATERIAL NONE	OVER 0.2 TO 1.2	OVER 1.2 TO 4.0
		OVER 4.0 TO 12.0	OVER 12.0 TO 48.0
THIRD ANGLE PROJECTION	DATE 10 APR 84	TITLE	
DO NOT SCALE DRAWING	DATE	SEQUENCE CABLE/ PANEL ASSEMBLY	
REMOVE BURRS AND BREAK SHARP CORNERS	DATE	DOCUMENT NUMBER	
SEE PARTS LIST	DATE	D IA 7021590-0-0	
FINISH NONE	DATE	K-IA-7021590-0-DBU	

DIA 7021590-0-0

181

AUTOMATED BY VAXKPL (V1.1)

PARTS LIST

SHEET A1 OF A1
 QUANTITY PER VARIATION/REVISION

LINE ITEM	TOP DOCUMENT	PART NUMBER	MIN REV	DESCRIPTION	QTY
1		91-07706-00	B	CABLE,RND 04COND 22AWG UNSHLDDED	A/R
2		12-20303-01	A	CONN,PHONO 4POS RCPT	2
3		12-12620-00	H	CONN,P+S 08POS(1X08) HSG	1
4		91-07255-02	CR	TUBING,SHRINK .125ID EXP	A/R
5		12-12203-01	C	CONN,P+S 01SKT 22-18AWG .09	8
6		90-07031-00	B	TIE,CABLE BUNDL.DIA 0- 3/4"=101	1
7		36-16073-00	B	LABEL,ID W/COPY VERTICAL	1
8		90-08979-00	CR	WASHER,LOCK INTERNAL STEEL	2
9	9 K-IA-7429666-0-DBU	74-29666-01	C	PLATE, I/O SEQUENCE	1

REVISION HISTORY			KPL MATRIX FORMAT		SECTION A OF A		DRN: A. POWELL		DIGITAL			
ENG	ECO NUMBER	REV	SECTION/VARIATION INDEX		DATE:	25-JUN-85						
RD	PCA PET-111	AX00	[A]	01	CHK'D:	D. MILLER		TITLE PARTS LIST				
RD	PCA PET-171	AX01	[B]		DATE:	25-JUN-85		SEQUENCE CABLE/ PANEL ASSEMBLY				
RD	PCA PET-215	AX02	[C]		DES.ENG:	R. DUCHARME		DOCUMENT NUMBER				
RD	PCA PET-220	AX03	[D]		DATE:	25-JUN-85		SIZE	CODE	NUMBER	REV	
RD	PCA PET-250	AX04	[E]		RESP.ENG.:	J. READ		K	PL	7021590-0-DBP	B	
RD	PCA PET-256	AX05	[F]		DATE:	25-JUN-85		RELEASE DATE: 26-MAR-86				
RD	PCA PET-316	A	[H]		MFG.ENG:	D. SAJDAK		RELEASE STATUS: RELEASED				
DC	7021590-CX001	B	[J]		DATE:	25-JUN-85						
			BASIC PART NUMBER:	ASSEMBLY NUMBER:	TOP DOCUMENT NUMBER:	FILE NAME:	EDIT #					
			7021590	D-IA-7021590-0-0	D-IA-7021590-0-0	Z8159B.PLS	4					

*Rpm
3/1/86*

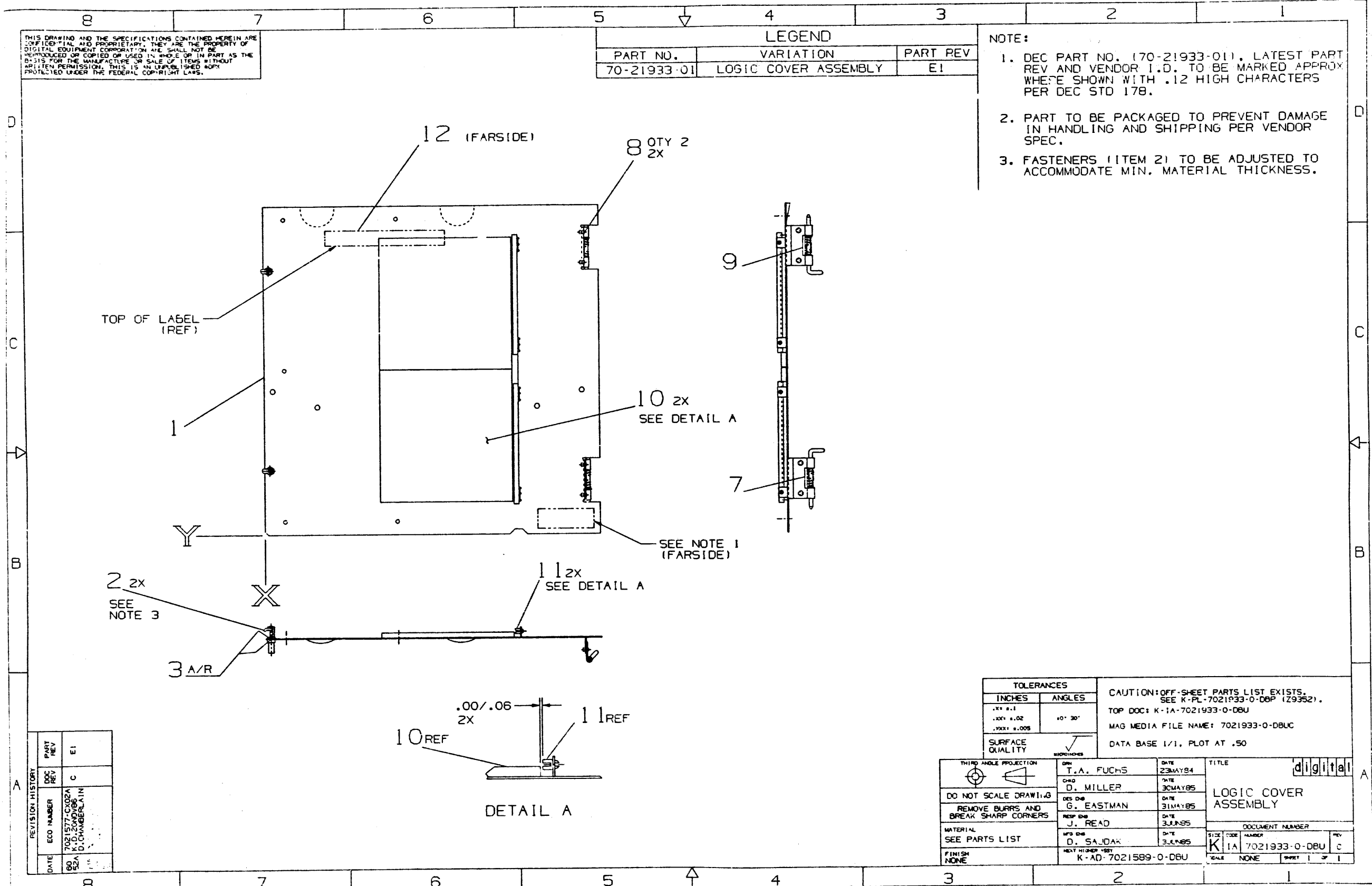
"THIS DRAWING AND THE SPECIFICATIONS CONTAINED HEREIN ARE CONFIDENTIAL AND PROPRIETARY. THEY ARE THE PROPERTY OF DIGITAL EQUIPMENT CORPORATION AND SHALL NOT BE REPRODUCED OR COPIED OR USED IN WHOLE OR IN PART AS THE BASIS FOR THE MANUFACTURE OR SALE OF ITEMS WITHOUT WRITTEN PERMISSION. THIS IS AN UNPUBLISHED WORK PROTECTED UNDER THE FEDERAL COPYRIGHT LAWS."

THIS DRAWING AND THE SPECIFICATIONS CONTAINED HEREIN ARE CONFIDENTIAL AND PROPRIETARY. THEY ARE THE PROPERTY OF DIGITAL EQUIPMENT CORPORATION AND SHALL NOT BE REPRODUCED OR COPIED OR USED IN WHOLE OR IN PART AS THE BASIS FOR THE MANUFACTURE OR SALE OF ITEMS WITHOUT WRITTEN PERMISSION. THIS IS AN UNPUBLISHED WORK PROTECTED UNDER THE FEDERAL COPYRIGHT LAWS.

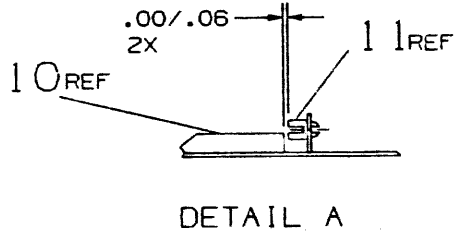
LEGEND		
PART NO.	VARIATION	PART REV
70-21933-01	LOGIC COVER ASSEMBLY	E1

NOTE:

1. DEC PART NO. (70-21933-01), LATEST PART REV AND VENDOR I.D. TO BE MARKED APPROX WHERE SHOWN WITH .12 HIGH CHARACTERS PER DEC STD 178.
2. PART TO BE PACKAGED TO PREVENT DAMAGE IN HANDLING AND SHIPPING PER VENDOR SPEC.
3. FASTENERS (ITEM 2) TO BE ADJUSTED TO ACCOMMODATE MIN. MATERIAL THICKNESS.



REVISION HISTORY		
DATE	ECO NUMBER	PART REV
80	7021577-CX02A	E1
52A	A.D. ZIMMERMAN	C
	D. CHAMBERLAIN	



TOLERANCES		CAUTION: OFF-SHEET PARTS LIST EXISTS. SEE K-PL-7021933-0-DBP (29352). TOP DOC: K-1A-7021933-0-DBU MAG MEDIA FILE NAME: 7021933-0-DBUC DATA BASE 1/1, PLOT AT .50
INCHES	ANGLES	
.XX ± .1 .XXX ± .02 .XXX ± .005	10° 30'	
SURFACE QUALITY		✓ MICROINCHES

THIRD ANGLE PROJECTION		DRN	DATE	TITLE
		T.A. FUCHS	23MAY84	digital
DO NOT SCALE DRAWING		CHKD	DATE	LOGIC COVER ASSEMBLY
REMOVE BURRS AND BREAK SHARP CORNERS		D. MILLER	30MAY85	
MATERIAL SEE PARTS LIST		DES DNE	DATE	
FINISH NONE		G. EASTMAN	31MAY85	DOCUMENT NUMBER
		RESP DNE	DATE	SIZE
		J. READ	3JUN85	NUMBER
		MFG DNE	DATE	REV
		D. SAJDAK	3JUN85	K1A 7021933-0-DBU C
		NEXT HIGHER ASSY		SCALE NONE
		K-AD-7021589-0-DBU		SHEET 1 OF 1

AUTOMATED BY WAKNPL (V1.2)

P A R T S L I S T

SHEET 01 OF 01
QUANTITY PER VARIATION/REVISION

LINE	ITEM	TOP DOCUMENT	PART NUMBER	MIN REV	DESCRIPTION	QTY
1	1	K-MD-7429006-0-DBU	74-29006-01		BAFFLE, LOGIC	1
2	2		12-12939-04		FASTENER ASSY, HOOKED PAWL RT HAN	2
3	3		49-01344-00		ADHESIVE, SEALANT, LG-STRENGTH, THD L	A/R
4	4		90-09747-01	K	*** THIS ITEM IS NOT USED ***	-
5	5	K-MD-7430634-0-DBU	74-30634-01		*** THIS ITEM IS NOT USED ***	-
6	6	K-MD-7430634-0-DBU	74-30634-02		*** THIS ITEM IS NOT USED ***	-
7	7	K-IA-7430630-0-DBU	74-30630-03	A	LATCH HINGE, DOUBLE DUTY, RIGHT HAND	1
8	8		90-00000-01		RIVET, BLIND DOME 0.156X0.300LG	4
9	9	K-MD-7430630-0-DBU	74-30630-02	A	LATCH HINGE, DOUBLE DUTY, LEFT HAND	1
10	10	K-MD-7430003-0-DBU	74-29003-01		GASKET, FOAM	2
11	11		12-19639-01		GUIDE, CARD, NYLON, BLACK 6.00	2
12	12		38-23720-01		LABEL, WARNING FOR FANS + VOLTAGE	1

REVISION HISTORY			KPL MATRIX FORMAT SECTION A OF A		DRN: C. BULLARD	D I G I T A L					
ENG	ECO NUMBER	REV	SECTION/VARIATION INDEX		DATE: 25-JUN-85						
RD	PCA FET-201	AX00	[A]	01	CHK'D: D. MILLER	TITLE FARTS LIST					
RD	PCA FET-217	AX01	[B]		DATE: 25-JUN-85	LOGIC COVER ASSEMBLY					
RD	PCA FET-231	AX02	[C]		DES. ENG: B. DUCHARME						
RD	PCA FET-315	A	[D]		DATE: 25-JUN-85	DOCUMENT NUMBER					
DC	7021591-CX001	B	[E]		RESP. ENG.: J. READ	SIZE	CODE	NUMBER	REV		
DC	7021577-CX02A	C	[F]		DATE: 25-JUN-85	K	FL	7021933-0-DBP	C		
			[H]		HFG. ENG: E. SAJDAK	RELEASE DATE: 13-NOV-86					
			[J]		DATE: 25-JUN-85	RELEASE STATUS: RELEASED					
			BASIC PART NUMBER:		ASSEMBLY NUMBER:		TOP DOCUMENT NUMBER:		FILE NAME:		EDIT #
			7021933		K-IA-7021933-0-DBU		K-IA-7021933-0-DBU		Z9352C.FLS		3

Handwritten initials and date:
20 DEC 86

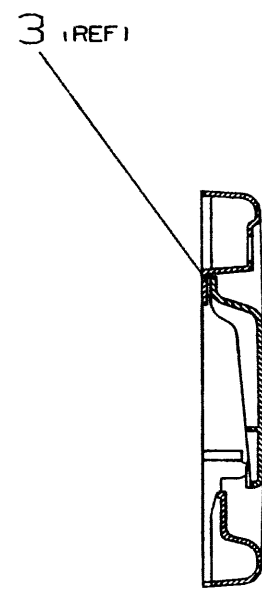
THIS DRAWING AND THE SPECIFICATIONS CONTAINED HEREIN ARE CONFIDENTIAL AND PROPRIETARY. THEY ARE THE PROPERTY OF DIGITAL EQUIPMENT CORPORATION AND SHALL NOT BE REPRODUCED OR COPIED OR USED IN WHOLE OR IN PART AS THE BASIS FOR THE MANUFACTURE OR SALE OF ITEMS WITHOUT WRITTEN PERMISSION. THIS IS AN UNPUBLISHED WORK PROTECTED UNDER THE FEDERAL COPYRIGHT LAWS.

THIS DRAWING AND THE SPECIFICATIONS CONTAINED HEREIN ARE CONFIDENTIAL AND PROPRIETARY. THEY ARE THE PROPERTY OF DIGITAL EQUIPMENT CORPORATION AND SHALL NOT BE REPRODUCED OR COPIED OR USED IN WHOLE OR IN PART AS THE BASIS FOR THE MANUFACTURE OR SALE OF ITEMS WITHOUT WRITTEN PERMISSION. THIS IS AN UNPUBLISHED WORK PROTECTED UNDER THE FEDERAL COPYRIGHT LAWS.

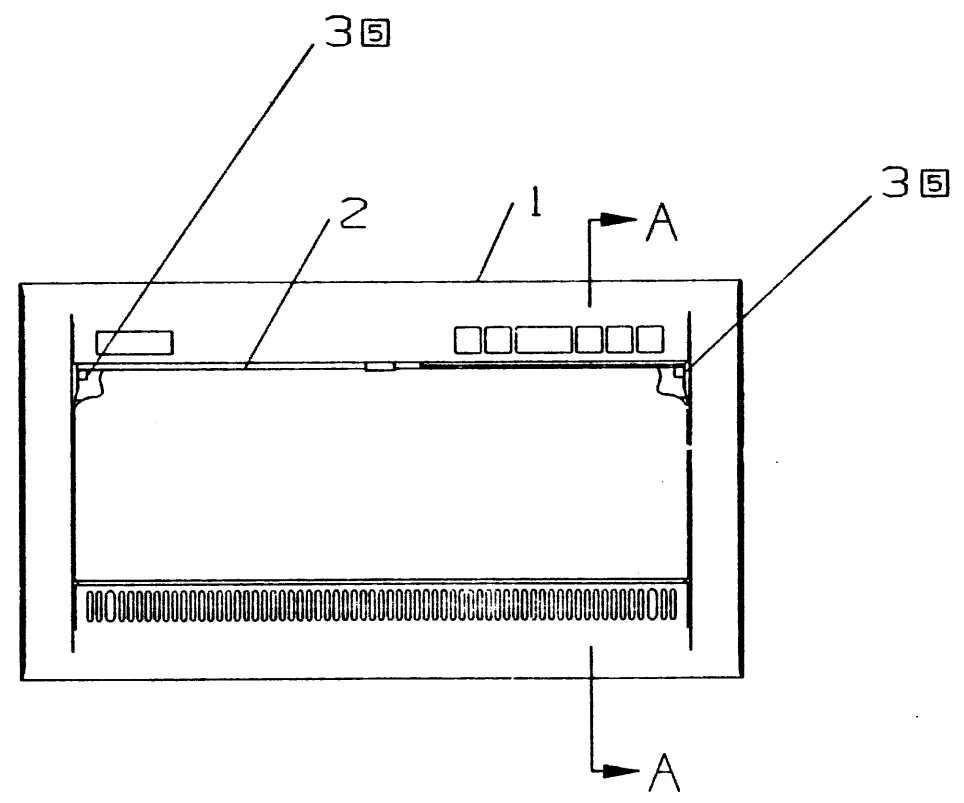
LEGEND		
PART NO.	VARIATION	PART REV
70-21593-01	BEZEL ASSEMBLY	C3

NOTES:

- DEC PART NO. (70-21593-01), LATEST PART REV AND VENDOR I.D. TO BE MARKED ON SHIPPING CONTAINER PER DEC STD 178.
 - WORKMANSHIP TO COMPLY WITH DEC STD 116.
 - SNAP THE ACCESS DOOR (ITEM 2) INTO THE BEZEL (ITEM 1).
 - PART TO BE PACKAGED TO PREVENT DAMAGE IN HANDLING AND SHIPPING PER VENDOR SPEC.
- ☐ DEC PART NO. (90-09172-01) TO BE TRIMMED TO .25 WIDTH FOR LEFT SIDE OF DOOR STOP INSTALLATION.



SECTION A-A



REVISION HISTORY		PART REV
DATE	ECO NUMBER	DOC REV
94	70-1593-C4003 K.D. GALLAGHER	D
		C3

TOLERANCES	
INCHES	ANGLES
.001 ± .001	± 30°
.002 ± .002	
.005 ± .005	

CAUTION: OFF-SHEET PARTS LIST EXISTS.
SEE K-PL-7021593-0-CBP (ZB188).
TOP DOC: K-1A-7021593-0-DBU
MAG MEDIA FILE NAME: 1A-7021593-00-CBU0
DATA BASE 1/1, PLOT AT .50

THIRD ANGLE PROJECTION	DRN T.A. FUCHS	DATE 29 DEC 83	TITLE digital
DO NOT SCALE DRAWING	CHKD D. MILLER	DATE 22 MAY 85	BEZEL ASSEMBLY
REMOVE BURRS AND BREAK SHARP CORNERS	DESIGN R. DUCHARME	DATE 23 MAY 85	
MATERIAL SEE PARTS LIST	RESP BY J. READ	DATE 23 MAY 85	DOCUMENT NUMBER
FINISH NONE	APP'D D. SAJDAK	DATE 23 MAY 85	SIZE CODE NUMBER K 1A 7021593-0-DBU D
	NEXT HIGHER ASSY D-AD-7021577-0-0		SCALE NONE SHEET 1 OF 1

AUTOMATED BY VAXKPL (V2.0)

P A R T S L I S T

SHEET A1 OF A1
 QUANTITY PER VARIATION/REVISION

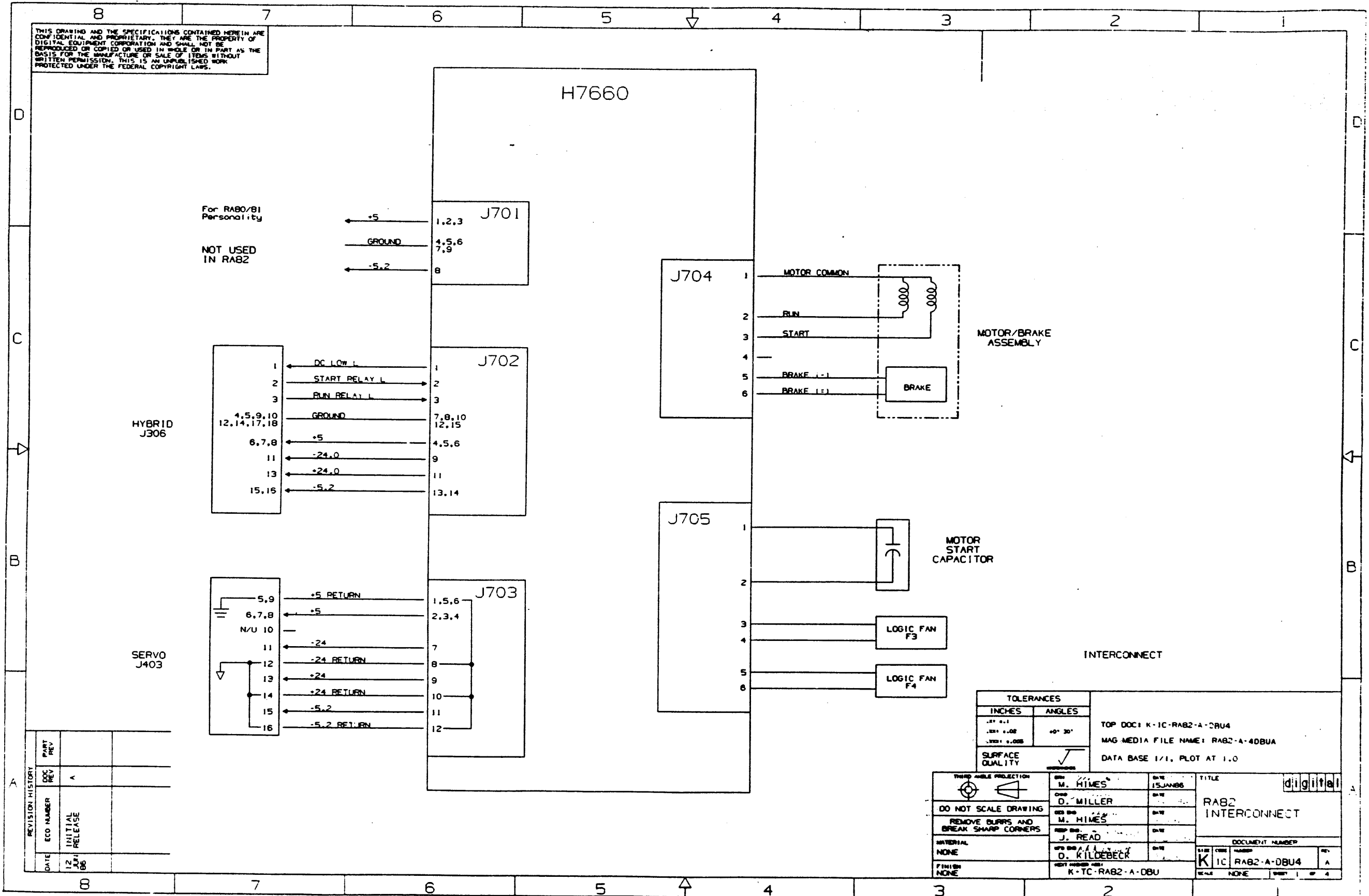
LINE ITEM	TOP DOCUMENT	PART NUMBER	MIN REV	DESCRIPTION	01 C3
1	K-IA-7429658-0-DBU	74-29658-01		BEZEL	1
2	K-ID-7429661-0-DBU	74-29661-01		DOOR, ACCESS BEZEL	1
3		90-09172-01 B		TAPE, VINYL, BLACK 3/8 X 36YDS X1/	A/R

REVISION HISTORY			KPL MATRIX FORMAT		SECTION A OF A		DRN: F. ULUTAS		DIGITAL		
ENG	ECO NUMBER	REV	SECTION/VARIATION INDEX		DATE: 23-JAN-84	CHK'D: D. MILLER		TITLE PARTS LIST			
RD	PCA PET-120	AX00	[A]	01	DATE: 23-JAN-84	DATE: 23-JAN-84		BEZEL ASSEMBLY			
RD	PCA PET-311	A	[B]		DES.ENG: R. DUCHARME	DATE: 23-JAN-84		DOCUMENT NUMBER			
DC	7021593-CX001	B	[C]		RESP.ENG.: J. READ	DATE: 23-JAN-84		SIZE	CODE	NUMBER	REV
JR	7021593-CX002	C	[D]		MFG.ENG: D. SAJDAK	DATE: 23-JAN-84		K	PL	7021593-0-DBP	D
KI	7021593-CX003	D	[E]		RELEASE DATE: 21-JUL-88		RELEASE STATUS: RELEASED				
			[F]		BASIC PART NUMBER: 7021593		ASSEMBLY NUMBER: K-IA-7021593-0-DBU		TOP DOCUMENT NUMBER: K-IA-7021593-0-DBU		EDIT #
			[H]		FILE NAME: Z8188D.PLS						2
			[J]								

Handwritten: RM 29 July 88 217 8/2/88

"THIS DRAWING AND THE SPECIFICATIONS CONTAINED HEREIN ARE CONFIDENTIAL AND PROPRIETARY. THEY ARE THE PROPERTY OF DIGITAL EQUIPMENT CORPORATION AND SHALL NOT BE REPRODUCED OR COPIED OR USED IN WHOLE OR IN PART AS THE BASIS FOR THE MANUFACTURE OR SALE OF ITEMS WITHOUT WRITTEN PERMISSION. THIS IS AN UNPUBLISHED WORK PROTECTED UNDER THE FEDERAL COPYRIGHT LAWS."

THIS DRAWING AND THE SPECIFICATIONS CONTAINED HEREIN ARE CONFIDENTIAL AND PROPRIETARY. THEY ARE THE PROPERTY OF DIGITAL EQUIPMENT CORPORATION AND SHALL NOT BE REPRODUCED OR COPIED OR USED IN WHOLE OR IN PART AS THE BASIS FOR THE MANUFACTURE OR SALE OF ITEMS WITHOUT WRITTEN PERMISSION. THIS IS AN UNPUBLISHED WORK PROTECTED UNDER THE FEDERAL COPYRIGHT LAWS.



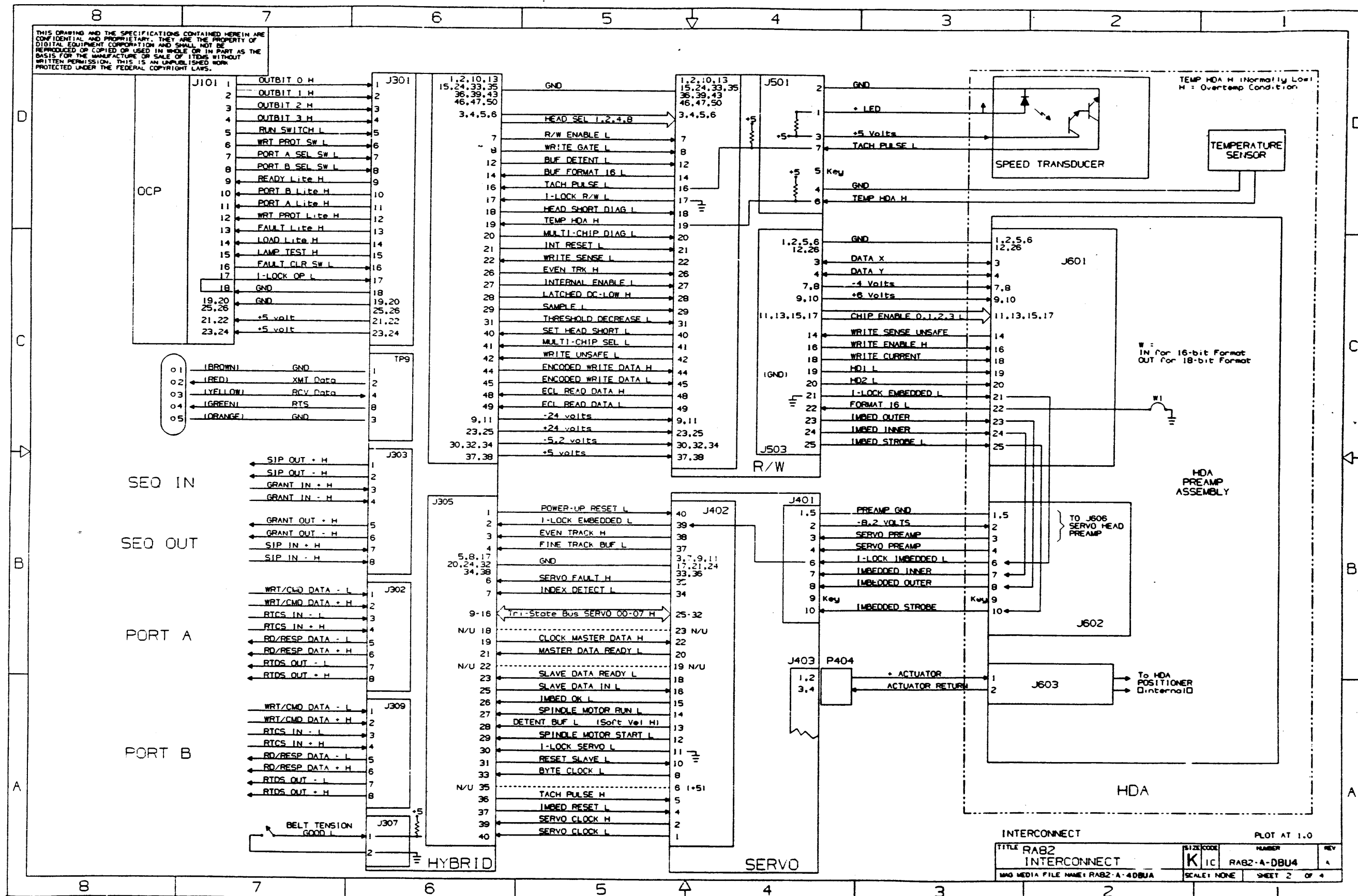
REVISION HISTORY		PART REV
DOC REV	A	
ECD NUMBER	INITIAL RELEASE	
DATE	12/14/88	

TOLERANCES	
INCHES	ANGLES
.01 ± .01	± 30°
.001 ± .002	
SURFACE QUALITY	
NONE	

TOP DOC: K-IC-RAB2-A-DBU4
 MAG MEDIA FILE NAME: RAB2-A-4DBU4
 DATA BASE 1/1, PLOT AT 1.0

THIRD ANGLE PROJECTION		BY	DATE	TITLE
DO NOT SCALE DRAWING	REMOVE BURRS AND BREAK SHARP CORNERS	M. HIMES	15 JAN 88	RAB2 INTERCONNECT
MATERIAL	FINISH	D. MILLER		
NONE	NONE	M. HIMES		
		J. READ		
		D. KILDEBECK		
		K-TC-RAB2-A-DBU		
		K IC RAB2-A-DBU4		

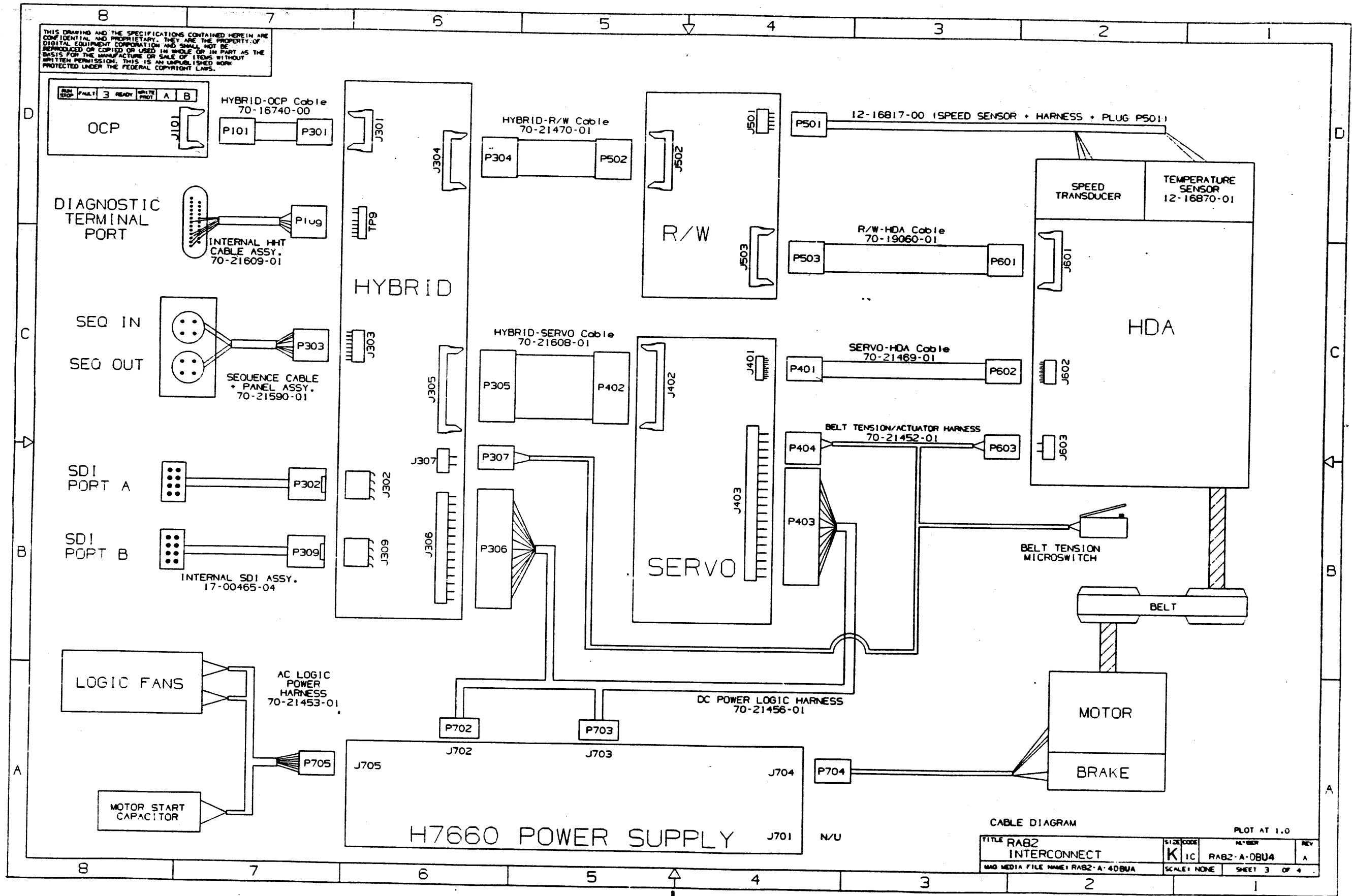
THIS DRAWING AND THE SPECIFICATIONS CONTAINED HEREIN ARE CONFIDENTIAL AND PROPRIETARY. THEY ARE THE PROPERTY OF DIGITAL EQUIPMENT CORPORATION AND SHALL NOT BE REPRODUCED OR COPIED OR USED IN WHOLE OR IN PART AS THE BASIS FOR THE MANUFACTURE OR SALE OF ITEMS WITHOUT WRITTEN PERMISSION. THIS IS AN UNPUBLISHED WORK PROTECTED UNDER THE FEDERAL COPYRIGHT LAWS.



TITLE RAB2 INTERCONNECT		SIZE CODE K IC	NUMBER RAB2-A-DBU4	REV 1
MFG MEDIA FILE NAME: RAB2-A-4DBU4		SCALE: NONE	SHEET 2 OF 4	

PLAT AT 1.0

THIS DRAWING AND THE SPECIFICATIONS CONTAINED HEREIN ARE CONFIDENTIAL AND PROPRIETARY. THEY ARE THE PROPERTY OF DIGITAL EQUIPMENT CORPORATION AND SHALL NOT BE REPRODUCED OR COPIED OR USED IN WHOLE OR IN PART AS THE BASIS FOR THE MANUFACTURE OR SALE OF ITEMS WITHOUT WRITTEN PERMISSION. THIS IS AN UNPUBLISHED WORK PROTECTED UNDER THE FEDERAL COPYRIGHT LAWS.

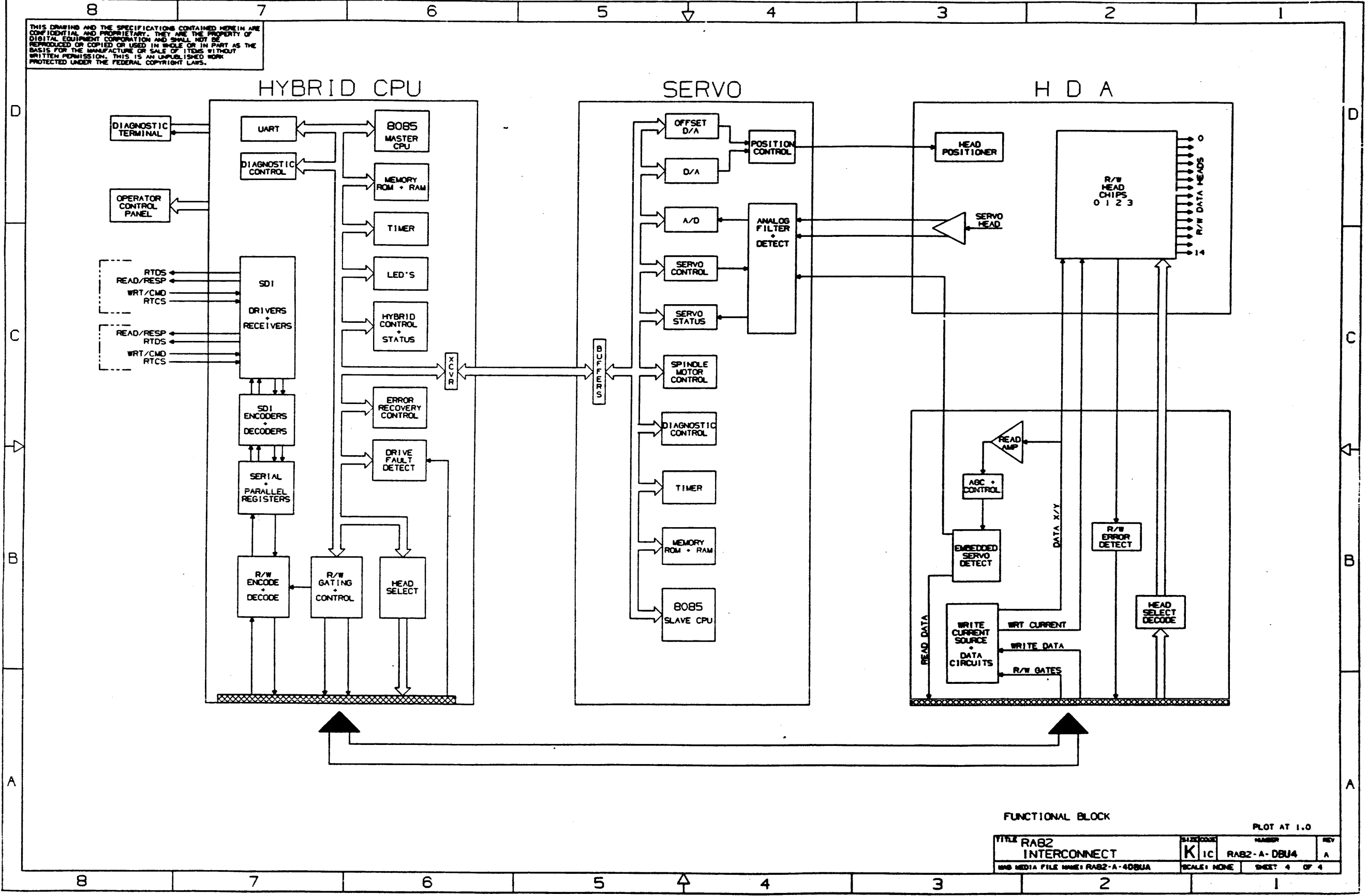


CABLE DIAGRAM

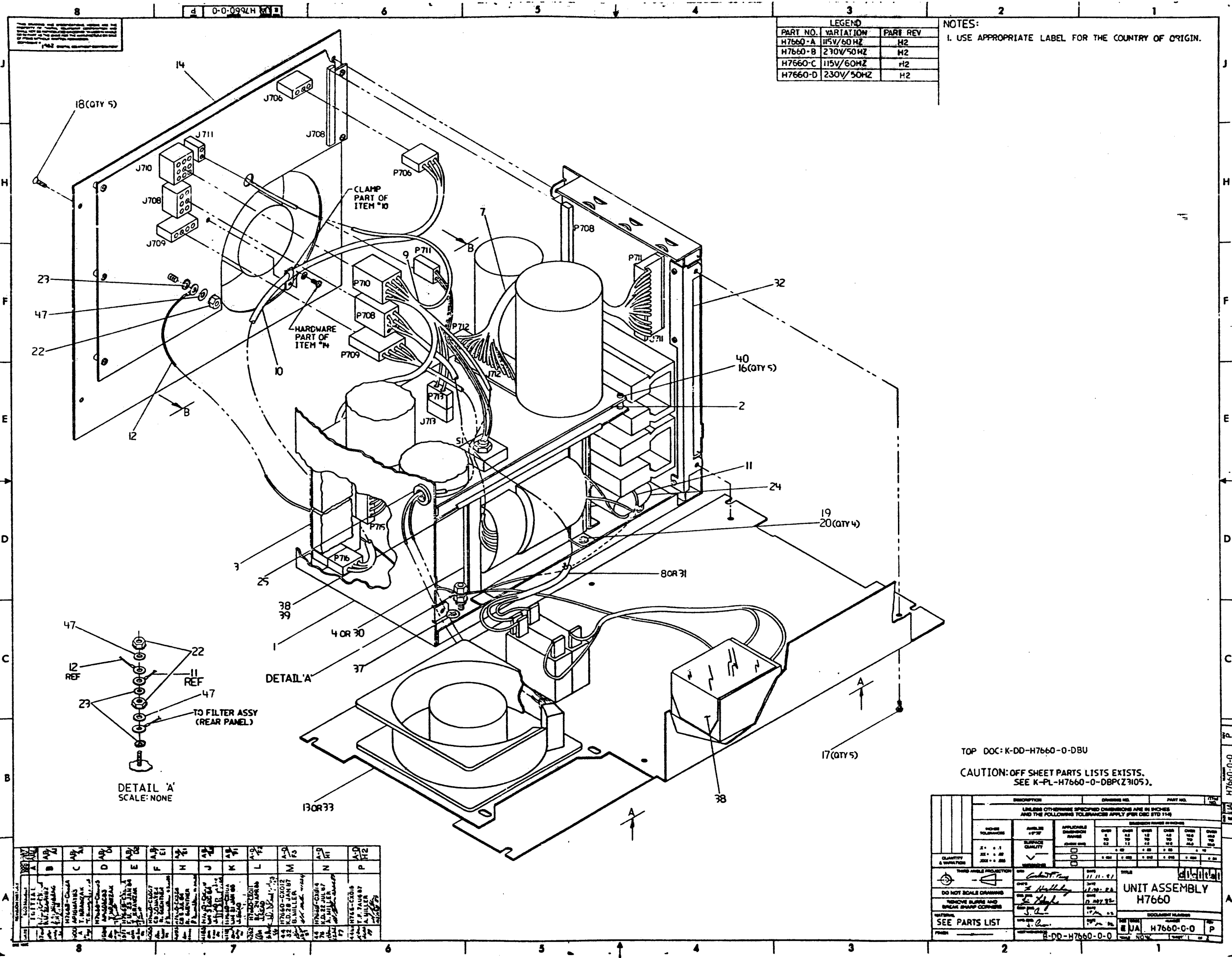
TITLE RAB2 INTERCONNECT		SIZE CODE K 1C	NUMBER RAB2-A-0BU4	REV A
MAG MEDIA FILE NAME: RAB2-A-40BU4		SCALE: NONE	SHEET 3 OF 4	

PLOT AT 1:0

THIS DRAWING AND THE SPECIFICATIONS CONTAINED HEREIN ARE CONFIDENTIAL AND PROPRIETARY. THEY ARE THE PROPERTY OF DIGITAL EQUIPMENT CORPORATION AND SHALL NOT BE REPRODUCED OR COPIED OR USED IN WHOLE OR IN PART AS THE BASIS FOR THE MANUFACTURE OR SALE OF ITEMS WITHOUT WRITTEN PERMISSION. THIS IS AN UNPUBLISHED WORK PROTECTED UNDER THE FEDERAL COPYRIGHT LAWS.



FUNCTIONAL BLOCK		PLOT AT 1:0	
TITLE	RAB2 INTERCONNECT	SIZE/COOR	K IC
NO. MEDIA FILE NAME	RAB2-A-40BUA	NUMBER	RAB2-A-DBU4
		SCALE	NONE
		SHEET	4 OF 4



LEGEND		
PART NO.	VARIATION	PART REV
H7660-A	115V/60HZ	H2
H7660-B	230V/50HZ	H2
H7660-C	115V/60HZ	H2
H7660-D	230V/50HZ	H2

NOTES:
 1. USE APPROPRIATE LABEL FOR THE COUNTRY OF ORIGIN.

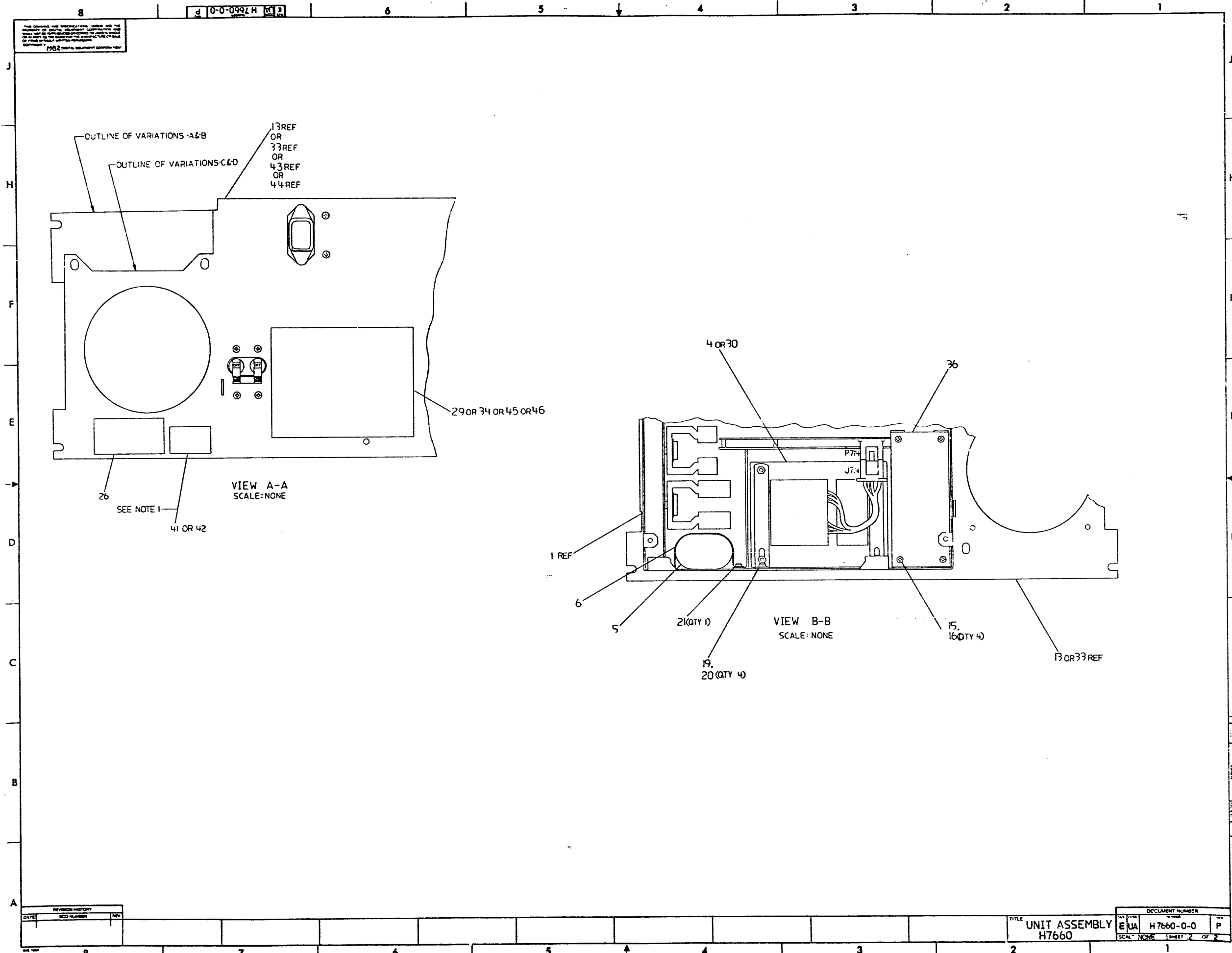
REV	DATE	BY	CHKD	DESCRIPTION
A	11/11/91
B
C
D
E
F
G
H
I
J
K
L
M
N
O
P

TOP DOC: K-DD-H7660-0-DBU
 CAUTION: OFF SHEET PARTS LISTS EXISTS.
 SEE K-PL-H7660-0-DBP(Z3105).

QUANTITY	DESCRIPTION	UNIT	REVISION	DATE	BY	CHKD	APPROVED
1	UNIT ASSEMBLY			11/11/91
1	H7660-C-0			

THIS DRAWING AND SPECIFICATIONS HEREBY REFER TO THE
 DRAWING OF THE UNIT ASSEMBLY H7660-0-0 WHICH IS THE
 BASIS OF THE CONTRACT. ANY CHANGES TO THIS DRAWING
 OR SPECIFICATIONS SHALL BE MADE BY THE CONTRACTOR IN
 ACCORDANCE WITH THE REQUIREMENTS OF THE CONTRACT.
 CONTRACT NO. H7660-0-0

0-0-099LH 12



REVISION HISTORY		
DATE	ECO NUMBER	REV

TITLE UNIT ASSEMBLY
H7660

DOCUMENT NUMBER		
ECO NUMBER	REV	SHEET
EUA	H7660-0-0	P
SCALE: NONE	SHEET 2 OF 2	

EUA H7660-0-0 P

LINE ITEM	TOP DOCUMENT	PART NUMBER	MIN REV	DESCRIPTION	A H2	B H2	C H2	D H2
1	E-IA-7018913-0-0	70-18913-00		CHASSIS ASSY	1	1	1	1
2	E-UA-5415094-0-0	54-15094-00		CAPACITOR BOARD H7660	1	1	1	1
3	E-UA-5415092-0-0	54-15092-00	D	RELAY BOARD H7660	1	1	1	1
4	D-IA-7018913-0-0	70-18913-00		TRANSFORMER ASSY 60HZ	1	-	1	-
5		10-18158-01		5.0 MFD 500VAC +/- 5% PAPER	1	1	1	1
6	B-ME-7426110-0-0	74-26110-00		CLAMP, CAP	1	1	1	1
7	D-IA-7018920-0-0	70-18920-00		HARNES, D.C. INPUT	1	1	1	1
8	D-IA-7018921-0-0	70-18921-00		HARNES A.C. INPUT 115V	1	-	1	-
9	D-IA-7018922-0-0	70-18922-00		HARNES A.C. DISTRIBUTION	1	1	1	1
10	D-IA-7018923-0-0	70-18923-00		HARNES RELAY D.C.	1	1	1	1
11	C-IA-7018924-0-0	70-18924-00		GROUND WIRE 1	1	1	1	1
12	C-IA-7018925-0-0	70-18925-00		GROUND WIRE 2	1	1	1	1
13	E-AD-7018914-0-0	70-18914-00		REAR PANEL ASSY RA81	-	-	1	-
14	E-AD-7018919-0-0	70-18919-00		FRONT PANEL ASSY	1	1	1	1
15		90-00049-01	B	SCREW,SEMS PAN PHIL 8-32	4	4	4	4
16		90-06689-00		WASHER,FLAT 3/16"	9	9	9	9
17		90-00049-23		SCREW,SEMS PAN PHIL 8-32	5	5	5	5
18		90-08404-02		SCREW,WASH FLAT PHIL 8-32	4	4	4	4
19		90-00049-16	B	SCREW,SEMS PAN PHIL 8-32	4	4	4	4
20		90-06680-00		WASHER,FLAT 1/8"	4	4	4	4
21		90-00049-25		SCREW,SEMS PAN PHIL 8-32	1	1	1	1
22		90-06565-00		NUT,HEX EXT TOOTH LOCKWHR 10-32X	3	3	3	3
23		90-07651-00	B	WASHER,LOCK EXTERNAL STEEL	3	3	3	3
24		12-13683-01		BOOT,CAPACITOR,RUBBER,HOLE IN SID	1	1	1	1
25		90-07016-00		GROMMET,ROUND RUBBER	1	1	1	1
26		90-09255-01	B	LABEL, POWER SUPPLY, 2-7/8" LD X 1	1	1	1	1
27		17-00083-23	L	*** THIS ITEM IS NOT USED ***	-	-	-	-
28		17-00083-24	L	*** THIS ITEM IS NOT USED ***	-	-	-	-
29		36-19223-01	A	LABEL,POWER SUPPLY H7660A	1	-	-	-
30	D-IA-7018913-0-0	70-18913-01		TRANSFORMER ASSY 50HZ	-	1	-	1
31	D-IA-7019103-0-0	70-19103-00		HARNES AC INPUT 230V	-	1	-	1
32	D-UA-5415096-0-0	54-15096-00		REGULATOR BD H7660	1	1	1	1

REVISION HISTORY			KPL MATRIX FORMAT SECTION A OF A		L. PRICE		D I G I T A L			
ENG	ECO NUMBER	REV	SECTION/VARIATION INDEX		CHK'D:	F. HALLIDAY	TITLE PARTS LIST			
---	INITIAL	A	[A]	A , B , C , D	DATE:	04-DEC-84	UNIT ASSEMBLY H7660			
JN	H7660-CX001	B	[B]		DES.ENG:	J. KALAGHER	DOCUMENT NUMBER			
TK	H7660-CX03A	C	[C]		DATE:	04-DEC-84	SIZE(CODE)	NUMBER	REV	
TK	H7660-CX005	D	[D]		RESF.ENG.:	J. CROSS	K	PL	H7660-0-DBP	
TK	H7660-CX06A	E	[E]		DATE:	04-DEC-84			P	
RG	H7660-CX007	F	[F]		MFG.ENG.:	W. EHRMANN	RELEASE DATE: 19-AUG-87			
RG	H7660-CX008	H	[H]		DATE:	04-DEC-84	RELEASE STATUS: RELEASED			
JR	H7660-CX009	J	[J]							
JR	H7660-CX10A	K	[K]							
JR	H7660-CX011	L	[L]							
BM	H7660-CX012	M	[M]							
AM	H7660-CX014	N	[N]							
AM	H7660-CX004	P	[P]							
			BASIC PART NUMBER:	H7660	ASSEMBLY NUMBER:	E-UA-H7660-0-0	TOP DOCUMENT NUMBER:	K-DD-H7660-0-DBU	FILE NAME:	Z3105P.PLS
									EDIT #	1

THIS DRAWING AND THE SPECIFICATIONS CONTAINED HEREIN ARE CONFIDENTIAL AND PROPRIETARY. THEY ARE THE PROPERTY OF DIGITAL EQUIPMENT CORPORATION AND SHALL NOT BE REPRODUCED OR COPIED OR USED IN WHOLE OR IN PART AS THE BASIS FOR THE MANUFACTURE OR SALE OF ITEMS WITHOUT WRITTEN PERMISSION. THIS IS AN UNPUBLISHED WORK PROTECTED UNDER THE FEDERAL COPYRIGHT LAWS.

Rev of Aug 87

01-25 Aug 87

AUTOMATED BY VAKKFL (V1.3)

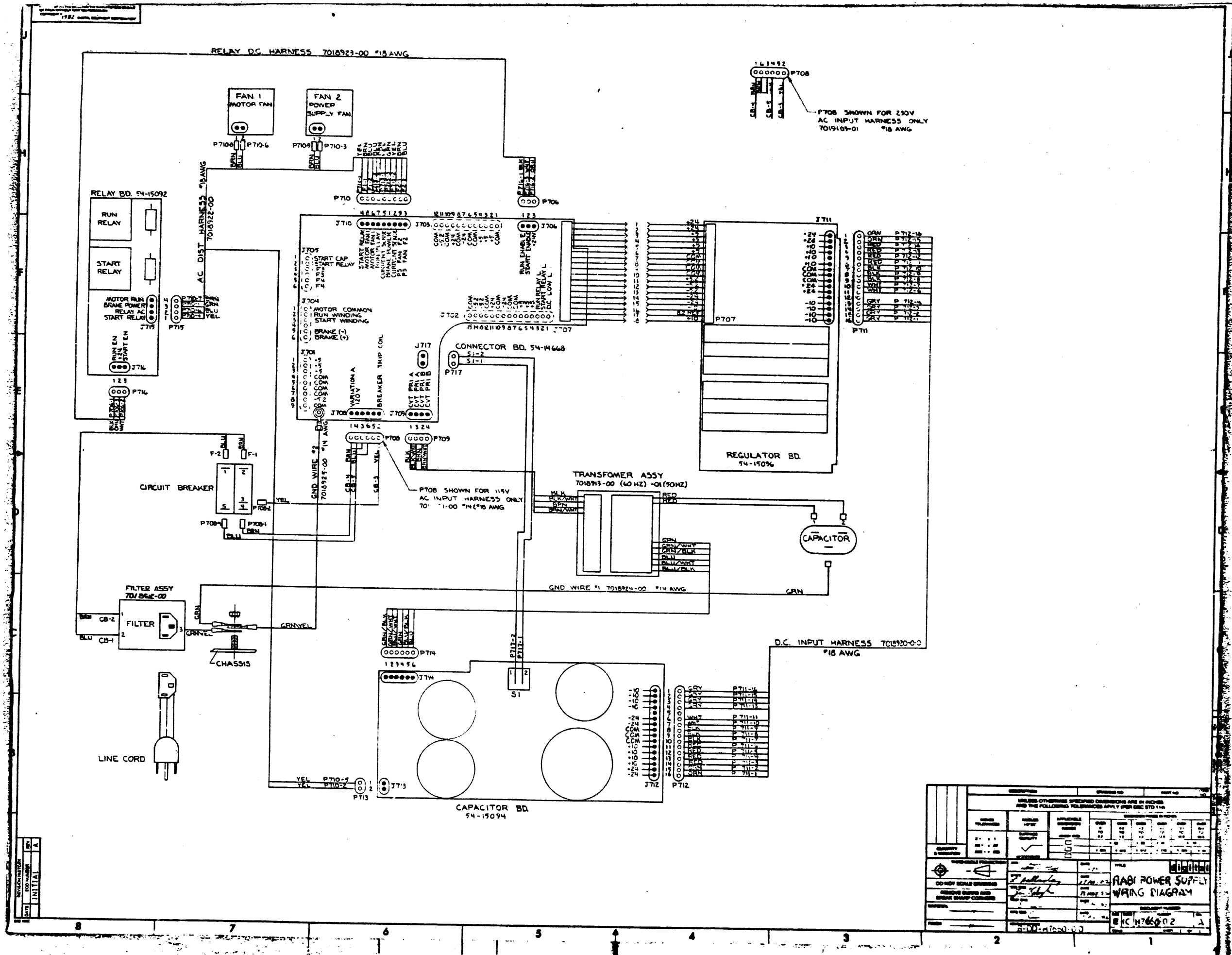
PARTS LIST

SHEET A2 OF A2

LINE ITEM	TOP DOCUMENT	PART NUMBER	MIN REV	DESCRIPTION	QUANTITY PER VARIATION/REVISION			
					A H2	B H2	C H2	D H2
33	E-AD-7018914-0-0	70-18914-01		REAR PANEL ASSY H7660 B	-	-	-	1
34		36-19223-02		LABEL,POWER SUPPLY H7660B	-	1	-	-
35		37-00587-01		PKG POWER SUPPLY H766-A/B INDIV.	1	1	1	1
36		17-00021-07 L		SHIELD,ELECTROMAG,4.70"X2.00"	1	1	1	1
37		36-12680-01 E		LABEL,GROUND SYMBOL WHITE	1	1	1	1
38	K-MD-7429346-0-DBU	74-29346-01 A		COVER,SHARP EDGE	1	1	1	1
39		90-09157-01 B		*** THIS ITEM IS NOT USED ***	-	-	-	-
40		90-00049-32 A		SCREW,SEMS FAN PHIL 6-32	5	5	5	5
41		36-21739-01		LABEL,COUNTRY OF ORIGIN HONG KONG	A/R	A/R	A/R	A/R
42		36-21739-03 A		LABEL,COUNTRY OF ORIGIN SINGAPORE	A/R	A/R	A/R	A/R
43	E-AD-7018914-0-0	70-18914-02 A		REAR PANEL ASSY	1	-	-	-
44	E-AD-7018914-0-0	70-18914-03 A		REAR PANEL ASSY	-	1	-	-
45		36-19223-03 A		LABEL,POWER SUPPLY H7660C	-	-	1	-
46		36-19223-04 A		LABEL,POWER SUPPLY H7660D	-	-	-	1
47		90-06664-00		WASHER,FLAT SST	3	3	3	3

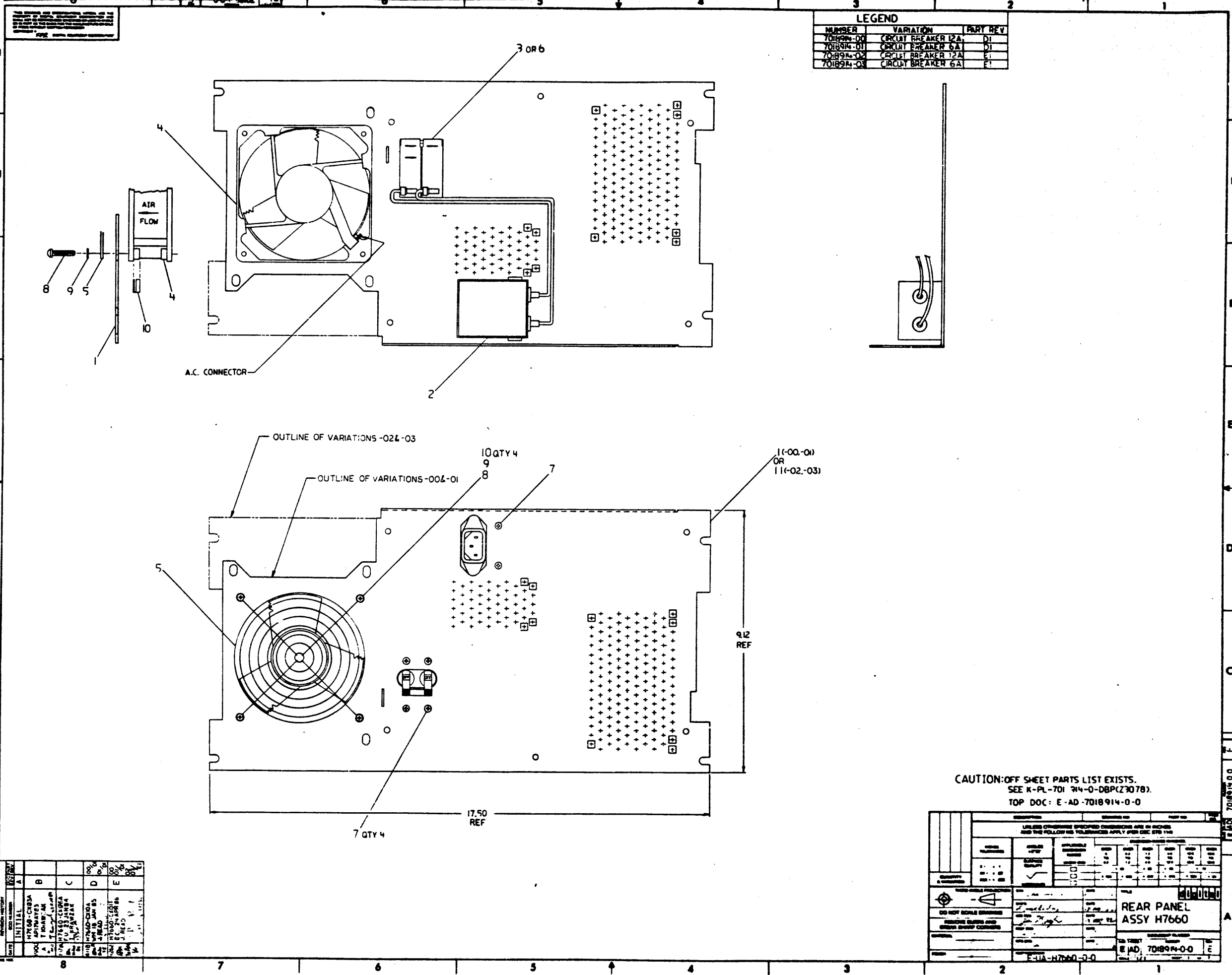
LEGEND		
1 GEN:	-	PART NUMBER
2 GEN:	-	VARIATION
3 GEN:		H7660-A 115V/60HZ
4 GEN:		H7660-B 230V/50HZ
5 GEN:		H7660-C 115V/60HZ
6 GEN:		H7660-D 230V/50HZ

D	I	G	I	T	A	L	TITLE	SECTION A OF A	SIZE	CODE	DOCUMENT NUMBER	REV
							UNIT ASSEMBLY H7660		K	FL	H7660-0-DBP	P



REVISIONS		APPROVED		DATE	
NO.	DESCRIPTION	BY	DATE	NO.	DATE
1	ISSUED FOR PRODUCTION	J. J. [Signature]	11/10/52	1	11/10/52
2	REVISED	J. J. [Signature]	11/10/52	2	11/10/52

CHECKED BY: [Signature] DRAWN BY: [Signature]	TITLE: RAB POWER SUPPLY WIRING DIAGRAM PART NO.: 7018923-00 REV: A
--	--



NUMBER	VARIATION	PART REV
701894-00	CIRCUIT BREAKER 12A	D1
701894-01	CIRCUIT BREAKER 6A	D1
701894-02	CIRCUIT BREAKER 12A	E1
701894-03	CIRCUIT BREAKER 6A	E1

CAUTION: OFF SHEET PARTS LIST EXISTS.
SEE K-PL-701 714-0-DBP(23078).
TOP DOC: E-AD-701894-0-0

REV	INITIAL	DATE	DESCRIPTION
A			INITIAL
B			HT66-CHSA
C			A. F. BERRY, JR.
D			REVISION HISTORY
E			REVISION HISTORY

NO.	DESCRIPTION	QTY	UNIT	REF
1	REAR PANEL ASSY H7660	1	EA	
2	FAN	1	EA	
3	A.C. CONNECTOR	1	EA	
4	TERMINAL BLOCK	1	EA	
5	SCREW	4	EA	
6	WASHER	4	EA	
7	WASHER	4	EA	
8	WASHER	4	EA	
9	WASHER	4	EA	
10	WASHER	4	EA	
11	WASHER	4	EA	
12	WASHER	4	EA	
13	WASHER	4	EA	
14	WASHER	4	EA	
15	WASHER	4	EA	
16	WASHER	4	EA	
17	WASHER	4	EA	
18	WASHER	4	EA	
19	WASHER	4	EA	
20	WASHER	4	EA	
21	WASHER	4	EA	
22	WASHER	4	EA	
23	WASHER	4	EA	
24	WASHER	4	EA	
25	WASHER	4	EA	
26	WASHER	4	EA	
27	WASHER	4	EA	
28	WASHER	4	EA	
29	WASHER	4	EA	
30	WASHER	4	EA	
31	WASHER	4	EA	
32	WASHER	4	EA	
33	WASHER	4	EA	
34	WASHER	4	EA	
35	WASHER	4	EA	
36	WASHER	4	EA	
37	WASHER	4	EA	
38	WASHER	4	EA	
39	WASHER	4	EA	
40	WASHER	4	EA	
41	WASHER	4	EA	
42	WASHER	4	EA	
43	WASHER	4	EA	
44	WASHER	4	EA	
45	WASHER	4	EA	
46	WASHER	4	EA	
47	WASHER	4	EA	
48	WASHER	4	EA	
49	WASHER	4	EA	
50	WASHER	4	EA	
51	WASHER	4	EA	
52	WASHER	4	EA	
53	WASHER	4	EA	
54	WASHER	4	EA	
55	WASHER	4	EA	
56	WASHER	4	EA	
57	WASHER	4	EA	
58	WASHER	4	EA	
59	WASHER	4	EA	
60	WASHER	4	EA	
61	WASHER	4	EA	
62	WASHER	4	EA	
63	WASHER	4	EA	
64	WASHER	4	EA	
65	WASHER	4	EA	
66	WASHER	4	EA	
67	WASHER	4	EA	
68	WASHER	4	EA	
69	WASHER	4	EA	
70	WASHER	4	EA	
71	WASHER	4	EA	
72	WASHER	4	EA	
73	WASHER	4	EA	
74	WASHER	4	EA	
75	WASHER	4	EA	
76	WASHER	4	EA	
77	WASHER	4	EA	
78	WASHER	4	EA	
79	WASHER	4	EA	
80	WASHER	4	EA	
81	WASHER	4	EA	
82	WASHER	4	EA	
83	WASHER	4	EA	
84	WASHER	4	EA	
85	WASHER	4	EA	
86	WASHER	4	EA	
87	WASHER	4	EA	
88	WASHER	4	EA	
89	WASHER	4	EA	
90	WASHER	4	EA	
91	WASHER	4	EA	
92	WASHER	4	EA	
93	WASHER	4	EA	
94	WASHER	4	EA	
95	WASHER	4	EA	
96	WASHER	4	EA	
97	WASHER	4	EA	
98	WASHER	4	EA	
99	WASHER	4	EA	
100	WASHER	4	EA	

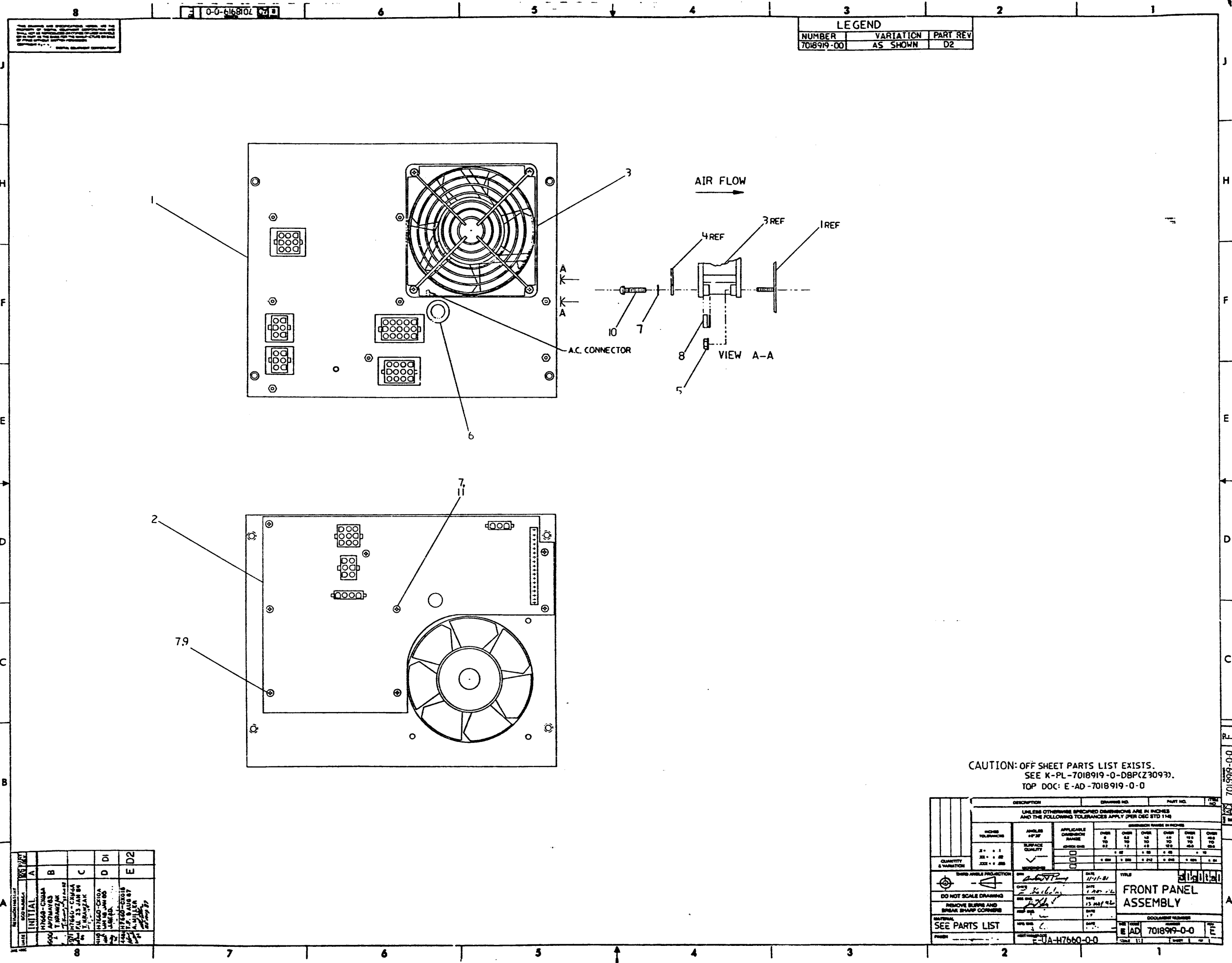
LINE ITEM	TOP DOCUMENT	PART NUMBER	MIN REV	DESCRIPTION	QUANTITY PER VARIATION/REVISION			
					00 D1	01 D1	02 E1	03 E1
1	1	K-MD-7429716-0-DBU		74-29716-01 A PANEL, POWER SUPPLY REAR	1	1	-	-
2	2	C-IA-7018912-0-0		70-18912-00 FILTER ASSY	1	1	1	1
3	3			12-19236-00 CKT BKR 12.0 A 120V 2P SERIES TRIP	1	-	1	-
4	4			12-17715-04 FAN,TUBE AXIAL 4.5" 120CFM 120VAC	1	1	1	1
5	5			12-10263-00 GUARD,FINGER 4.125 X 4.125 MTG HOL	1	1	1	1
6	6			12-19236-01 CKT BKR 6.0 A 240V 2P SERIES TRIP	-	1	-	1
7	7			90-00049-01 SCREW,SEMS PAN PHIL 6-32	6	6	6	6
8	8			90-06026-01 SCREW,MACH PAN PHIL 6-32	4	4	4	4
9	9			90-06659-00 WASHER,FLAT S/PAS	4	4	4	4
10	10			90-09165-00 CLIP, FAN MOUNTING (12-05033 FAN)	4	4	4	4
11	11	E-IA-7426112-0-0		74-26112-00 PANEL, REAR, POWER SUPPLY	-	-	1	1

REVISION HISTORY			KPL MATRIX FORMAT SECTION A OF ADRN: L. PRICE		DIGITAL			
ENG	ECO NUMBER	REV	SECTION/VARIATION INDEX		DATE: 08-MAR-84			
---	INITIAL	A	[CA]	00,01,02,03	CHK D: F. HALLIDAY	TITLE PARTS LIST		
TK	H7660-CX03A	B	[CB]		DATE: 08-MAR-84	REAR PANEL ASSY H7660		
TK	H7660-CX06A	C	[CC]		DES.ENG: J. KALAGHER			
JR	H7660-CX10A	D	[CD]		DATE: 08-MAR-84	DOCUMENT NUMBER		
JR	H7660-CX011	E	[CE]		RESP.ENG.: J. CROSS	SIZE: K	CODE: FL	NUMBER: 7018914-0-DBP
			[CF]		DATE: 08-MAR-84			REV: E
			[CH]		MFG.ENG: W. EHRMANN	RELEASE DATE: 30-APR-86		
			[CI]		DATE: 08-MAR-84	RELEASE STATUS: RELEASED		
			BASIC PART NUMBER:	ASSEMBLY NUMBER:	TOP DOCUMENT NUMBER:	FILE NAME:	EDIT #	
			7018914	E-AD-7018914-0-0	E-AD-7018914-0-0	25078E.PLS	1	

30 MAR 86

John D Read 5 May 86

"THIS DRAWING AND THE SPECIFICATIONS CONTAINED HEREIN ARE CONFIDENTIAL AND PROPRIETARY. THEY ARE THE PROPERTY OF DIGITAL EQUIPMENT CORPORATION AND SHALL NOT BE REPRODUCED OR COPIED OR USED IN WHOLE OR IN PART AS THE BASIS FOR THE MANUFACTURE OR SALE OF ITEMS WITHOUT WRITTEN PERMISSION. THIS IS AN UNPUBLISHED WORK PROTECTED UNDER THE FEDERAL COPYRIGHT LAWS."



LEGEND		
NUMBER	VARIATION	PART REV
7018919-00	AS SHOWN	D2

INITIAL	A	B	C	D	D2
H7668 - CHUSA					
APPROVED					
DATE					
BY					
DATE					
BY					
DATE					
BY					
DATE					

CAUTION: OFF SHEET PARTS LIST EXISTS.
SEE K-PL-7018919-0-DBP(Z 3093).
TOP DOC: E-AD-7018919-0-0

DESCRIPTION		DRAWING NO.	PART NO.	REV.
FRONT PANEL ASSEMBLY				
UNLESS OTHERWISE SPECIFIED DIMENSIONS ARE IN INCHES AND THE FOLLOWING TOLERANCES APPLY (PER DEC STD 114)				
DIMENSION RANGE		DIMENSION TOLERANCE		
0 - 1/8	±0.005	1/8 - 1/4	±0.010	
1/8 - 1/2	±0.010	1/4 - 1/2	±0.015	
1/2 - 1	±0.015	1/2 - 1	±0.020	
1 - 2	±0.020	1 - 2	±0.030	
2 - 4	±0.030	4 - 6	±0.040	
4 - 6	±0.040	6 - 12	±0.050	
6 - 12	±0.050	12 - 24	±0.060	
12 - 24	±0.060	24 - 48	±0.080	
48 - 96	±0.080	96 - 192	±0.100	
192 - 384	±0.100	384 - 768	±0.120	
768 - 1536	±0.120	1536 - 3072	±0.150	
3072 - 6144	±0.150	6144 - 12288	±0.200	
12288 - 24576	±0.200	24576 - 49152	±0.250	
49152 - 98304	±0.250	98304 - 196608	±0.300	
196608 - 393216	±0.300	393216 - 786432	±0.375	
786432 - 1572864	±0.375	1572864 - 3145728	±0.450	
3145728 - 6291456	±0.450	6291456 - 12582912	±0.500	
12582912 - 25165824	±0.500	25165824 - 50331648	±0.600	
50331648 - 100663296	±0.600	100663296 - 201326592	±0.700	
201326592 - 402653184	±0.700	402653184 - 805306368	±0.800	
805306368 - 1610612736	±0.800	1610612736 - 3221225472	±0.900	
3221225472 - 6442450944	±0.900	6442450944 - 12884901888	±1.000	
12884901888 - 25769803776	±1.000	25769803776 - 51539607552	±1.125	
51539607552 - 103079215104	±1.125	103079215104 - 206158430208	±1.250	
206158430208 - 412316860416	±1.250	412316860416 - 824633720832	±1.500	
824633720832 - 1649267441664	±1.500	1649267441664 - 3298534883328	±1.750	
3298534883328 - 6597069766656	±1.750	6597069766656 - 13194139533312	±2.000	
13194139533312 - 26388279066624	±2.000	26388279066624 - 52776558133248	±2.250	
52776558133248 - 105553116266496	±2.250	105553116266496 - 211106232532992	±2.500	
211106232532992 - 422212465065984	±2.500	422212465065984 - 844424930131968	±2.750	
844424930131968 - 1688849860263936	±2.750	1688849860263936 - 3377699720527872	±3.000	
3377699720527872 - 6755399441055744	±3.000	6755399441055744 - 13510798882111488	±3.250	
13510798882111488 - 27021597764222976	±3.250	27021597764222976 - 54043195528445952	±3.500	
54043195528445952 - 108086391056891904	±3.500	108086391056891904 - 216172782113783808	±3.750	
216172782113783808 - 432345564227567616	±3.750	432345564227567616 - 864691128455135232	±4.000	
864691128455135232 - 1729382256910270464	±4.000	1729382256910270464 - 3458764513820540928	±4.250	
3458764513820540928 - 6917529027641081856	±4.250	6917529027641081856 - 13835058055282167136	±4.500	
13835058055282167136 - 27670116110564334272	±4.500	27670116110564334272 - 55340232221128668544	±4.750	
55340232221128668544 - 110680464442257337088	±4.750	110680464442257337088 - 221360928884514674176	±5.000	
221360928884514674176 - 442721857769029348352	±5.000	442721857769029348352 - 885443715538058696704	±5.250	
885443715538058696704 - 1770887431076117393408	±5.250	1770887431076117393408 - 3541774862152234786816	±5.500	
3541774862152234786816 - 7083549724304469573632	±5.500	7083549724304469573632 - 14167099448608939147264	±5.750	
14167099448608939147264 - 28334198897217878294528	±5.750	28334198897217878294528 - 56668397794435756589056	±6.000	
56668397794435756589056 - 113336795588871513178112	±6.000	113336795588871513178112 - 226673591177743026356224	±6.250	
226673591177743026356224 - 453347182355486052712448	±6.250	453347182355486052712448 - 906694364710972105424896	±6.500	
906694364710972105424896 - 181338872942194421084992	±6.500	181338872942194421084992 - 362677745884388842169984	±6.750	
362677745884388842169984 - 725355491768777684339968	±6.750	725355491768777684339968 - 1450710983537555368679936	±7.000	
1450710983537555368679936 - 2901421967075110737359872	±7.000	2901421967075110737359872 - 5802843934150221474719744	±7.250	
5802843934150221474719744 - 11605687868300442949439488	±7.250	11605687868300442949439488 - 23211375736600885898878976	±7.500	
23211375736600885898878976 - 46422751473201771797757952	±7.500	46422751473201771797757952 - 92845502946403543595515904	±7.750	
92845502946403543595515904 - 18569100589280708719103808	±7.750	18569100589280708719103808 - 37138201178561417438207616	±8.000	
37138201178561417438207616 - 74276402357122834876415232	±8.000	74276402357122834876415232 - 148552804714255697528830464	±8.250	
148552804714255697528830464 - 297105609428511395057660928	±8.250	297105609428511395057660928 - 594211218857022790115321856	±8.500	
594211218857022790115321856 - 118842243771404580022643712	±8.500	118842243771404580022643712 - 237684487542809160045287424	±8.750	
237684487542809160045287424 - 475368975085618320090574848	±8.750	475368975085618320090574848 - 950737950171236640181149696	±9.000	
950737950171236640181149696 - 1901475900342473280362299392	±9.000	1901475900342473280362299392 - 3802951800684946560724598784	±9.250	
3802951800684946560724598784 - 7605903601369893121449197568	±9.250	7605903601369893121449197568 - 15211807202739786242898395136	±9.500	
15211807202739786242898395136 - 30423614405479572485796790272	±9.500	30423614405479572485796790272 - 60847228810959144971593580544	±9.750	
60847228810959144971593580544 - 121694457621918289943187161088	±9.750	121694457621918289943187161088 - 243388915243836579886374322176	±10.000	
243388915243836579886374322176 - 486777830487673159772748644352	±10.000	486777830487673159772748644352 - 973555660975346319545497288704	±10.250	
973555660975346319545497288704 - 194711132195069269091094577408	±10.250	194711132195069269091094577408 - 389422264390138538182189154816	±10.500	
389422264390138538182189154816 - 778844528780277076364378309632	±10.500	778844528780277076364378309632 - 1557689057560554152728756619264	±10.750	
1557689057560554152728756619264 - 3115378115121108305457513238528	±10.750	3115378115121108305457513238528 - 6230756230242216610915026477056	±11.000	
6230756230242216610915026477056 - 12461512460484433221830052954112	±11.000	12461512460484433221830052954112 - 24923024920968866443660105908224	±11.250	
24923024920968866443660105908224 - 49846049841937732887320211816448	±11.250	49846049841937732887320211816448 - 99692099683875465774640423632896	±11.500	
99692099683875465774640423632896 - 19938419936775093154928084726784	±11.500	19938419936775093154928084726784 - 39876839873550186309856169453568	±11.750	
39876839873550186309856169453568 - 79753679747100372619712338907136	±11.750	79753679747100372619712338907136 - 159507359494200752439424677814272	±12.000	
159507359494200752439424677814272 - 319014718988401504878849355628544	±12.000	319014718988401504878849355628544 - 638029437976803009757798711251088	±12.250	
638029437976803009757798711251088 - 1276058875953606019515597422502176	±12.250	1276058875953606019515597422502176 - 255211775190721203903119484500352	±12.500	
255211775190721203903119484500352 - 510423550381442407806238969000704	±12.500	510423550381442407806238969000704 - 1020847100762884815612477838001408	±12.750	
1020847100762884815612477838001408 - 2041694201525769631224955676002816	±12.750	2041694201525769631224955676002816 - 4083388403051539262449911552005632	±13.000	
4083388403051539262449911552005632 - 8166776806103078524899823104011264	±13.000	8166776806103078524899823104011264 - 16333553612206157049799646208022528	±13.250	
16333553612206157049799646208022528 - 32667107224412314099599292416045056	±13.250	32667107224412314099599292416045056 - 65334214448824628199198584832090112	±13.500	
65334214448824628199198584832090112 - 130668428897649256398397169664180224	±13.500	130668428897649256398397169664180224 - 261336857795298512796794339328360448	±13.750	
261336857795298512796794339328360448 - 522673715590597025593588678656720896	±13.750	522673715590597025593588678656720896 - 1045347431181194051187177357313441792	±14.000	
1045347431181194051187177357313441792 - 209069486236238810237535471462683584	±14.000	209069486236238810237535471462683584 - 41813897247247762475107094292536768	±14.250	
41813897247247762475107094292536768 - 83627794494495524950214188585073536	±14.250	83627794494495524950214188585073536 - 167255588988991049004483771710147104	±14.500	
167255588988991049004483771710147104 - 334511177977982098008967543420284208	±14.500	334511177977982098008967543420284208 - 669022355955964196017935086840568416	±14.750	
669022355955964196017935086840568416 - 1338044711911928392035870173681137328	±14.750	1338044711911928392035870173681137328 - 2676089423823856784071740347362274656	±15.000	
2676089423823856784071740347362274656 - 535217884764771356814348069472454912	±15.000	535217884764771356814348069472454912 - 107043576952954271362868613894489824	±15.250	
107043576952954271362868613894489824 - 214087153905908542724537722788996608	±15.250	214087153905908542724537722788996608 - 428174307811817085448654445577993216	±15.500	
428174307811817085448654445577993216 - 8563486156236341708973128911598643328	±15.500	8563486156236341708973128911598643328 - 1712697231247268341794625782319728656	±15.750	
1712697231247268341794625782319728656 - 3425394462494536683589251564639457312	±15.750	3425394462494536683589251564639457312 - 6850788924989073367178503129278944624	±16.000	
6850788924989073367178503129278944624 - 13701577849978146743557006258557889248	±16.000	13701577849978146743557006258557889248 - 2740315569995629348711401251711577856	±16.250	

AUTOMATED BY VAKKFL (V1.3)

PARTS LIST

SHEET 01 OF 01
QUANTITY PER VARIATION REVISION

LINE	ITEM	TOP DOCUMENT	PART NUMBER	MIN REV	DESCRIPTION	QTY
1	1	E-IA-7426115-0-0	74-26115-00		PANEL, FRONT, POWER SUPPLY	1
2	2	D-UA-5414668-0-0	54-14668-00	E	CONNECTOR BD. H766	1
3	3		12-17715-04		FAN, TUBE AXIAL 4.5" 120CFM 120VAC	1
4	4		12-10263-00		GUARD, FINGER 4.125 X 4.125 MET HOLE	1
5	5		90-08185-00	A	NUT, HEX EXT TOOTH LOCKWHR 6-32X	4
6	6		90-07016-00		CRUMMET, ROUND RUBBER	1
7	7		90-06659-00		WASHER, FLAT 3/16" X 1/2"	12
8	8		90-09165-00		CLIP, FAN MOUNTING (12-05033 FAN)	4
9	9		90-00049-01		SCREW, SEMS FAN PHIL 6-32	7
10	10		90-06026-01		SCREW, MACH FAN PHIL 6-32	4
11	11		90-00049-23		SCREW, SEMS FAN PHIL 6-32	1

REVISION HISTORY			KPL MATRIX FORMAT SECTION A OF A		DATE: 08-MAR-84		DIGITAL		
ENG	ECO NUMBER	REV	SECTION/VARIATION INDEX		CHK'D:	TITLE		PARTS LIST	
	INITIAL	A	[A]	00	DATE: 08-MAR-84	FRONT PANEL ASSEMBLY			
	TK H7660-CX03A	B	[B]		DES. ENG: F. HALLIDAY				
	TK H7660-CX06A	C	[C]		DATE: 08-MAR-84				
	JR H7660-CX10A	D	[D]		DES. ENG: J. KALAGHER				
	AM H7660-CX004	E	[E]		DATE: 08-MAR-84	DOCUMENT NUMBER			
			[F]		RESP. ENG.: J. CROSS	SIZE: K	CODE: PL	NUMBER: 7018919-0-DBF	REV: E
			[H]		DATE: 08-MAR-84	RELEASE DATE: 19-AUG-87			
			[J]		MFG. ENG: W. EHRMANN	RELEASE STATUS: RELEASED			
					DATE: 08-MAR-84				
			BASIC PART NUMBER:	ASSEMBLY NUMBER:	TOP DOCUMENT NUMBER:	FILE NAME:	EDIT #:		
			7018919	E-AD-7018919-0-0	E-AD-7018919-0-0	E3093E.PLS	2		

Handwritten: 25 AUG. 87

THIS DRAWING AND THE SPECIFICATIONS CONTAINED HEREIN ARE CONFIDENTIAL AND PROPRIETARY. THEY ARE THE PROPERTY OF DIGITAL EQUIPMENT CORPORATION AND SHALL NOT BE REPRODUCED OR COPIED OR USED IN WHOLE OR IN PART AS THE BASIS FOR THE MANUFACTURE OR SALE OF ITEMS WITHOUT WRITTEN PERMISSION. THIS IS AN UNPUBLISHED WORK PROTECTED UNDER THE FEDERAL COPYRIGHT LAWS.

ECO 5414668-CX001

COMPONENT DELETES:

- 1-1. DELETE C13. (1001610-00).
- 1-2. DELETE Q8. (1510977-00).

COMPONENT ADDS:

- 1-3. ADD C13. (1010274-02).
- 1-4. ADD Q8. (1503409-01).
- 1-5. AFTER COMPLETING THE ABOVE REWORK, MARK THE MODULE CS REV 'B'.

ECO 5414668-CX002

COMPONENT DELETES: SIDE 1

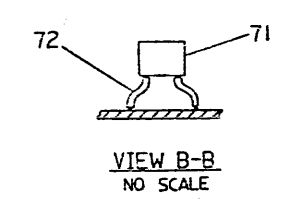
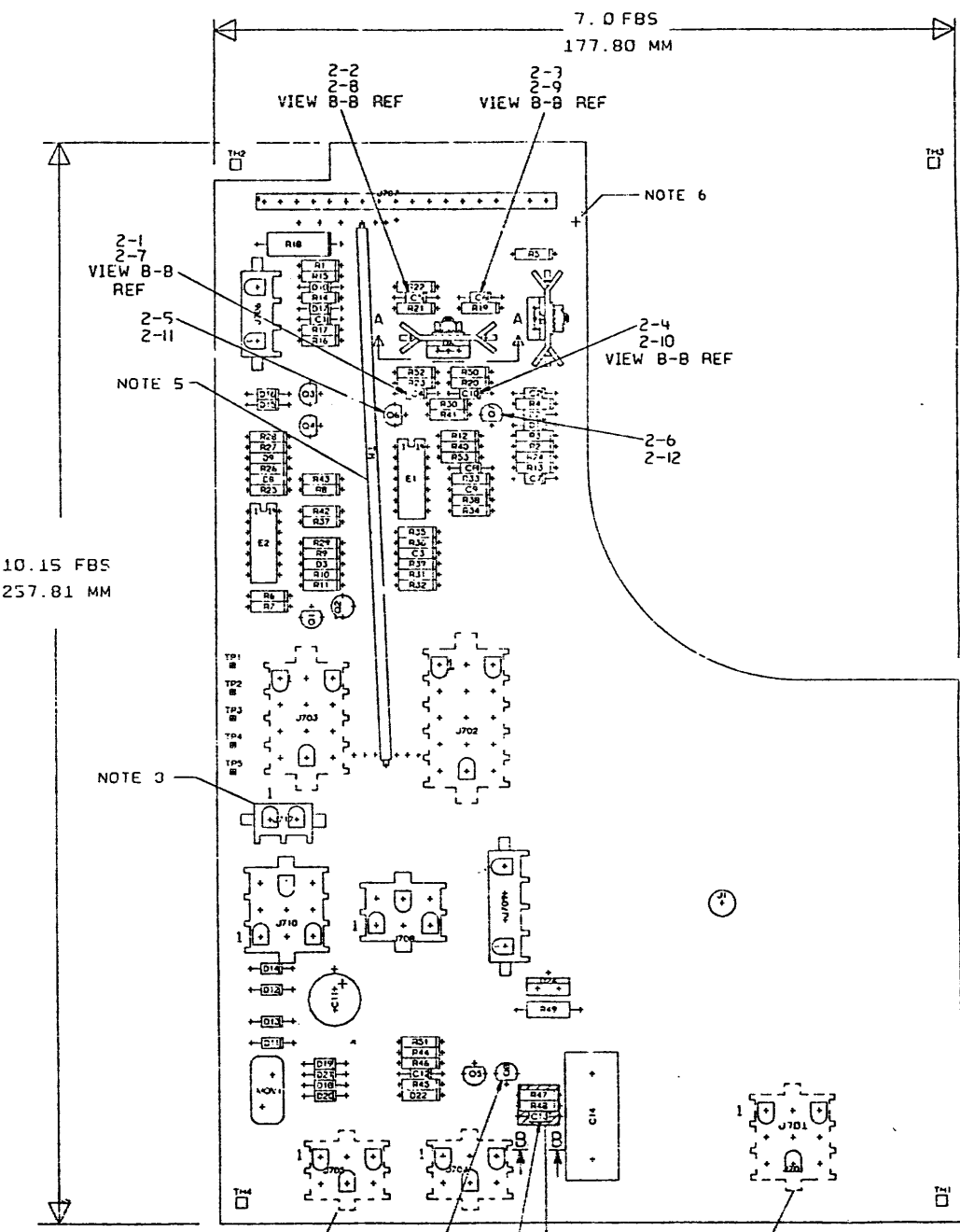
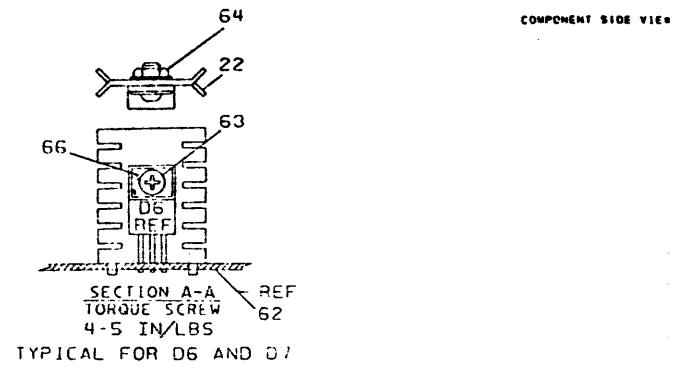
- 2-1. DELETE C4. (1001610-00).
- 2-2. C5. (1001610-00).
- 2-3. C6. (1001610-00).
- 2-4. C10. (1001610-00).
- 2-5. Q6. (1510877-00).
- 2-6. DELETE Q7. (1510877-00).

COMPONENT ADDS: SIDE 1

- 2-7. ADD C4. (1010274-02).
- 2-8. C5. (1010274-02).
- 2-9. C6. (1010274-02).
- 2-10. C10. (1010274-02).
- 2-11. Q6. (1503409-01).
- 2-12. ADD Q7. (1503409-01).

MARK MODULE:

- 2-13. WHEN THE ABOVE REWORK IS COMPLETE, MARK THE MODULE CS REV 'C'.



SIGNATURES		DATE	digital CONTRACTOR BOARD 171660 NUMBER 001 REV. 1 ECO 5414668-CX001
DRN. J.M. ROBINSON	15 MAR 68		
CHK. J.M. ROBINSON	15 MAR 68		
APP. J.M. ROBINSON	15 MAR 68		
TEST. J.M. ROBINSON	15 MAR 68		
S. LENGTH OF ITEM TO BE S.N. I.I.		A. FIELD THIS HOLE MUST BE FILLED WITH SOLDER	
EIGHT REV. 3			

1967 5414668-CX001	1968 5414668-CX002
1969 5414668-CX003	1970 5414668-CX004
1971 5414668-CX005	1972 5414668-CX006
1973 5414668-CX007	1974 5414668-CX008
1975 5414668-CX009	1976 5414668-CX010

NOTES:	THIS BOARD MUST BE TYPE U
	REQUIREMENTS FOR U-TYPE
	QUANTITY NOT THROUGH ON
	HAVE TO BE HAND SOLDER AFTER
	CONTRACTOR AND MUST HAVE FEMALE
	CONTACTS AND TPT THRU TPT
	PROTRUDE OUT FROM SIDE
STEP 1	Y BASIS
STEP 2	Y BASIS
STEP 3	Y BASIS
STEP 4	Y BASIS

ALL DIMENSIONS ARE IN INCHES UNLESS OTHERWISE SPECIFIED.
TOLERANCES ARE AS SHOWN.
DIMENSIONS ARE TO CENTER UNLESS OTHERWISE SPECIFIED.
HOLE DIMENSIONS ARE TO HOLE SIZE UNLESS OTHERWISE SPECIFIED.
HOLE DIMENSIONS ARE TO HOLE SIZE UNLESS OTHERWISE SPECIFIED.

LINE	ITEM	TOP DOCUMENT	PART NUMBER	MIN REV	DESCRIPTION	QTY PER VARIATION	REFERENCE DESIGNATOR
*	1	D-CS-5414668-0-1				REF	
*	2	E-UA-5414668-0-0				REF	
*	3	D-MD-5014667-0-0				REF	
*	4	D-EC-5014667-0-0				REF	
	5		1001610-00		.01 MFD 50V +80-20% Z5U CER	5	C1,C2,C7,C8,C12
	6		1013393-00		330 MFD 20V+100-10% AL EL	1	C11
	7		1013466-09		1000.0 MMF 50V 10% X7R CER	2	C3,C9
	8		1014430-00		.022 MFD 270V 10% M.POLYPROP	1	C14
	9		1100114-00		PIV= 25 IO=135 MA	3	D3,D8,D9
	10		1105796-00		PIV= 400 IO= 1.00A 1N4004 DO-41	6	D15,D16,D18-D21
	11		1110925-00		VZ= 5.1 2% 400 MW 1N751	1	D22
	12		1113290-00		TRIAC PIV= 600 IO= 8.00A 2N6344	1	D24
	13		1114117-00		PIV= 40 IO= 75 A - 4NS	4	D1,D2,D10,D17
	14		1116474-00		PIV=1000 IO= 1.00A 1N4007 DO-41	4	D11-D14
	15		1117061-00		THYRISTOR, VDRM= 25 MC	2	D6,D7
	16		1212297-01		MATE-N-LOK 04PIN(1X04).250CC HDR	1	J709
	17		1212297-02		MATE-N-LOK 09PIN(2X05).250CC HDR	2	J701,J710
	18		1212297-03		MATE-N-LOK 03PIN(1X03).250CC HDR	1	J706
	19		1212297-04		MATE-N-LOK 15PIN(2X08).250CC HDR	1	J702
	20		1212297-05		MATE-N-LOK 06PIN(2X03).250CC HDR	2	J704,J708
	21		1212297-06		MATE-N-LOK 12PIN(2X06).250CC HDR	1	J703
	22		1215228-00		HEAT SINKS,TO-220 01.25X0.87	2	HS1,HS2
	23		1217485-03		MATE-N-LOK 06SKT(2X03).250CC ASS	1	J705
	24		1218994-01		PCB HEADER 18PIN(1X18).156CC STR	1	J707
	25		1300168-00		10.0 .50 W 5.0 % CF	1	R49
	26		1300202-00		47.0 .25 W 5.0 % CF	2	R20,R22
	27		1300229-00		100.0 .25 W 5.0 % CF	1	R47
	28		1300271-00		220.0 .25 W 5.0 % CF	2	R23,R50
	29		1300316-00		470.0 .25 W 5.0 % CF	2	R27,R28
	30		1300365-00		1.0 K .25 W 5.0 % CF	12	R6,R7,R11,R19,R21,R25,R26,R29,

REVISION HISTORY			BASIC PART NO: 5414668			DRN: MARY BAIROS DATE: 11-FEB-82			DIGITAL		
ENG	ECO NUMBER	REV	SECTION A OF A	CHK'D:	DATE:	TITLE	PARTS LIST				
JC	INITIAL	X05	SECTION VARIATION INDEX	DICK BARRIERE	17-FEB-82	CONNECTOR BOARD H7660					
JC	PCA-MD-029	CX00	[A] 00								
JC	PCA-MD-077	DX00	[B]								
JC	PCA-MD-118	A	[C]	DES.ENG: J. CROSS	07-MAY-82	DOCUMENT NUMBER					
RG	5414668-CX001	B	[D]			SIZE CODE NUMBER REV					
RG	5414668-CX002	C	[E]								
RG	5414668-CX003	D	[F]	RESP.ENG.: J. CROSS	07-MAY-82	K PL 5414668-0-DBP D					
			[G]								
			[H]								
			[J]								
			[K]	MFG.ENG.: W. EHRMAN	07-MAY-82	RELEASE DATE:					
			[L]								
			[M]	ASSEMBLY NUMBER:	TOP DOCUMENT NUMBER:	FILE NAME:	EDIT #:				
			[N]	E-UA-5414668-0-0	#B-DD-5414668-0	Z1645D.PLS	33				

"THIS DRAWING AND THE SPECIFICATIONS CONTAINED HEREIN ARE CONFIDENTIAL AND PROPRIETARY. THEY ARE THE PROPERTY OF DIGITAL EQUIPMENT CORPORATION AND SHALL NOT BE REPRODUCED OR COPIED OR USED IN WHOLE OR IN PART AS THE BASIS FOR THE MANUFACTURE OR SALE OF ITEMS WITHOUT WRITTEN PERMISSION. THIS IS AN UNPUBLISHED WORK PROTECTED UNDER THE FEDERAL COPYRIGHT LAWS."

2/15/82
12-15-82

PARTS LIST

LINE	ITEM	TOP DOCUMENT	PART NUMBER	MIN REV	DESCRIPTION	QTY	PER VARIATION	REFERENCE DESIGNATOR
						00		
31	31		1300447-00		4.70 K .25 W 5.0 % CF	1		CONT R46,R48,R52,R53
32	32		1300479-00		10.0 K .25 W 5.0 % CF	6		R10
33	33		1300496-00		15.0 K .25 W 5.0 % CF	1		R17,R42,R32,R37,R38,R16
34	34		1301423-00		6.80 K .25 W 5.0 % CF	1		R39
35	35		1302172-00		3.01 K .75 W 1.0 % RN65C-F 5	2		R9,R45
36	36		1302177-00		47.0 K .25 W 5.0 % CF	1		R18
37	37		1316836-00		402.0 .25 W 1.0 % RN55D-F10	2		R8
38	38		1302612-00		1.78 K .25 W 1.0 % RN55D-F10	1		R51,R44
39	39		1302666-00		10.0 M .25 W 5.0 % CF	4		R3
40	40		1304863-00		*** THIS ITEM IS NOT USED ***	-		R31,R40,R41,R30
41	41		1305108-00		1.47 K .25 W 1.0 % RN55D-F10	1		R5
42	42		1305114-00		3.48 K .25 W 1.0 % RN55D-F10	1		R35
43	43		1305143-00		825.0 .25 W 1.0 % RN55D-F10	2		R14,R15
44	44		1305325-00		8.25 K .25 W 1.0 % RN55D-F10	1		R43
45	45		1309414-00		9.76 K .25 W 1.0 % RN55D-F10	1		R24
46	46		1311996-00		VARISTOR 150VAC VOLT TRANS SUP	1		MOV1
47	47		1314989-00		11.30 K .25 W 1.0 % RN55D-F10	1		R36
48	48		1312546-00		16.50 K .25 W 1.0 % RN55D-F10	1		R13
49	49		1312618-00		16.90 K .25 W 1.0 % RN55D-F10	1		R33
50	50		1313591-00		1.65 K .25 W 1.0 % RN55D-F10	1		R4
51	51		1313840-00		4.53 K .25 W 1.0 % RN55D-F10	1		R2
52	52		1316837-00		412.0 .25 W 1.0 % RN55D-F10	1		R1
53	53		1316842-00		6.34 K .25 W 1.0 % RN55D-F10	1		R12
54	54		1312565-00		13.30 K .25 W 1.0 % RN55D-F10	1		R34
55	55		1510705-00		XA 05 NPN 500MW SI 60 50 P	2		Q3,Q4
56	56		1510706-00		XA 55 PNP 500MW SI 60 50 P	1		Q1
57	57		1510877-00		*** THIS ITEM IS NOT USED ***	-		
58	58		1511686-00		DEC5433 FET N 350MW 10 25 1A	1		Q2
59	59		1512212-00		DEC8098 NPN 350MW SI 60 50	1		Q5
60	60		1911637-00		74132 NAND GATE-QUAD 2 IN	1		E2
61	61		1912108-00		339 VOLT CMPRTR,QUAD	1		E1
62	62		5014667-00		DRILL AND ETCH BD.	1		
63	63		9006011-01		SCREW,MACH PAN PHIL 4-	2		
64	64		9006557-00		NUT,HEX EXT TOOTH LCKWSHR 4-40	2		
65	65		9009217-00		POST, WIRE WRAP	5		
66	66		9009769-00		WASHER,RECTNGLR STEEL	2		TP1,TP2,TP3,TP4,TP5
67	67		9009807-02		STUD,PC MOUNTING 10-32X0.375	1		J1
68	68	SEE NOTE	9107702-09		WIRE,SOLID 14AWG IPVC 300V15	A/R		W1
69	69		1217485-00		MATE-N-LOK 02SKT(1X02).250CC ASS	1		J717
70	70		1503409-01		DEC6534B PNP 310MW SI 40 90 P	3		Q6-Q8
71	71		1010274-02	K	1 MFD 50V +80-20% CER	5		C4-C6,C10,C13
72	72		9107267-00		CR TUBING,TEFLON .034ID	A/R		
73	73		4901090-00		CR TAPE,TEFLON ADH .75 WDX3.5M	A/R		

D	I	G	I	T	A	L	TITLE	CONNECTOR BOARD H7660	SECTION A OF A	SIZE	CODE	DOCUMENT NUMBER	REV
										K	PL	5414668-0-DBP	D

AUTOMATED BY PRTLST.3P(44)

PARTS LIST

SHEET A3 OF A3

LINE ITEM TOP DOCUMENT

PART NUMBER ^{MIN} REV DESCRIPTION

QTY PER VARIATION
00

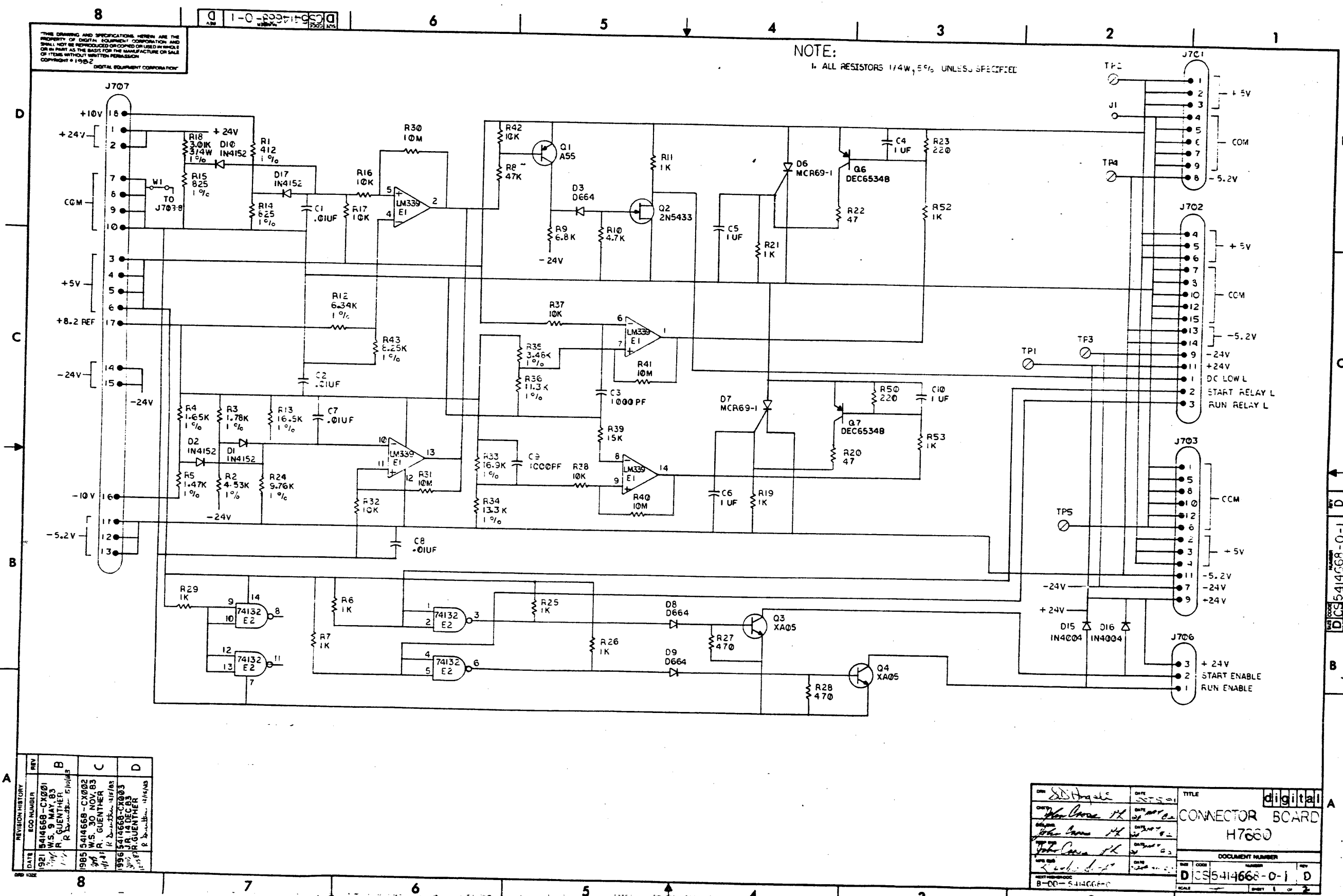
REFERENCE DESIGNATOR

74 NOTE: LENGTH OF W1 IS 5.4 +/- .1".

D	I	G	I	T	A	L	TITLE	SECTION A	OF A	SIZE	CODE	DOCUMENT NUMBER	REV
							CONNECTOR BOARD H7660			K	PL	5414668-0-DBP	D

THIS DRAWING AND SPECIFICATIONS HEREIN ARE THE PROPERTY OF DIGITAL EQUIPMENT CORPORATION AND SHALL NOT BE REPRODUCED OR COPIED OR USED IN WHOLE OR IN PART AS THE BASIS FOR THE MANUFACTURE OR SALE OF ITEMS WITHOUT WRITTEN PERMISSION. COPYRIGHT © 1982

NOTE:
1. ALL RESISTORS 1/4W, 5% UNLESS SPECIFIED

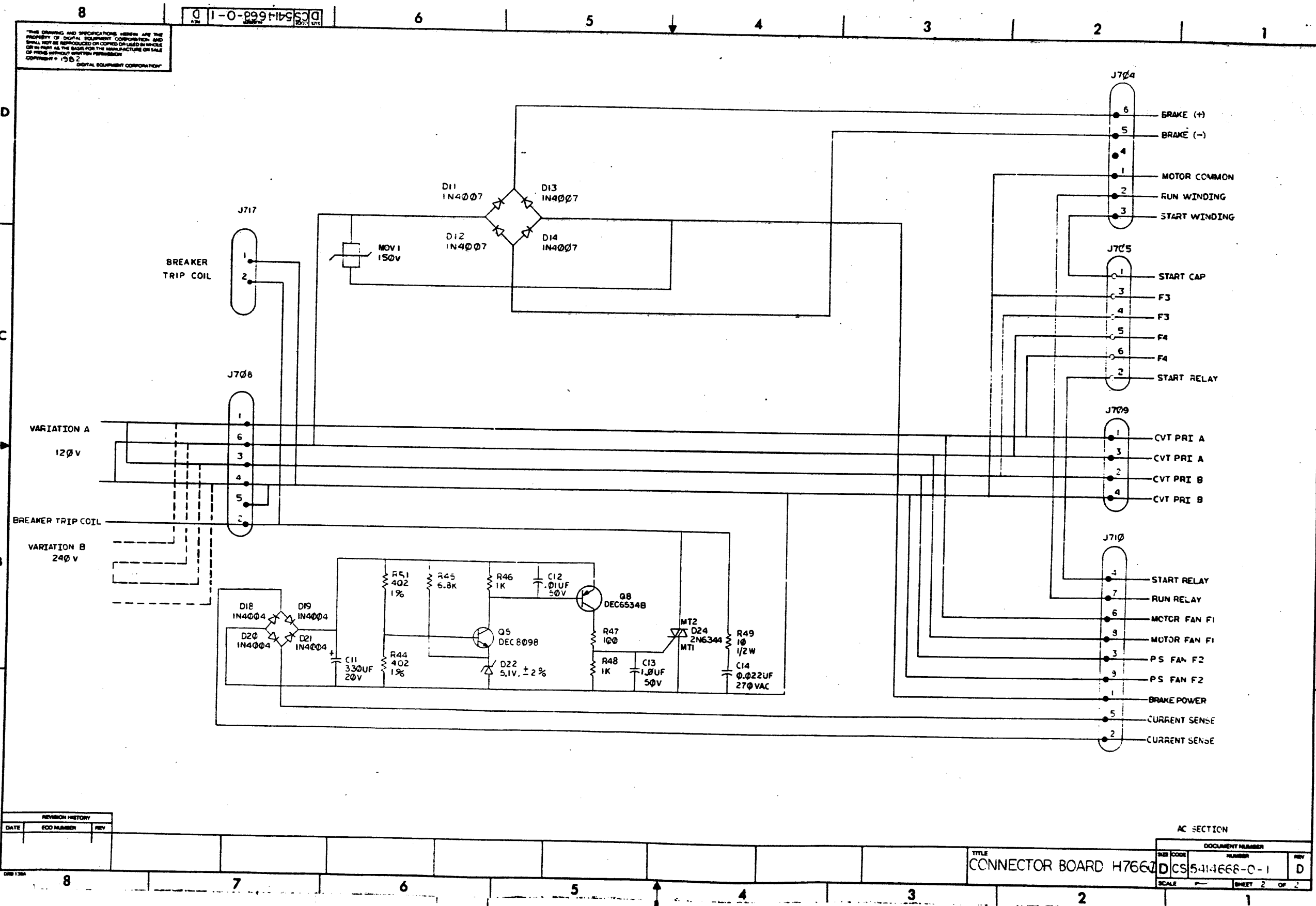


DATE	REVISION HISTORY	ECO NUMBER	REV
1981	5414668-CX001 W.S. GUENTHER		B
1985	5414668-CX003 W.S. GUENTHER		C
1986	5414668-CX003 W.S. GUENTHER		D

DESIGNED BY <i>S.D. Hargrave</i>	DATE 5/5/81	TITLE CONNECTOR BOARD H7660
CHECKED BY <i>John Curran</i>	DATE 5/20/81	DOCUMENT NUMBER DCS 5414668-0-1 D
APPROVED BY <i>John Curran</i>	DATE 5/20/81	SCALE 1:1
DATE 5/20/81		

DCS 5414668-0-1 1 of 2

THIS DRAWING AND SPECIFICATIONS HEREBY ARE THE PROPERTY OF DIGITAL EQUIPMENT CORPORATION AND SHALL NOT BE REPRODUCED OR COPIED OR USED IN WHOLE OR IN PART AS THE BASIS FOR THE MANUFACTURE OR SALE OF ITEMS WITHOUT WRITTEN PERMISSION OF DIGITAL EQUIPMENT CORPORATION.



REVISION HISTORY		
DATE	ECO NUMBER	REV

TITLE
CONNECTOR BOARD H7660

AC SECTION

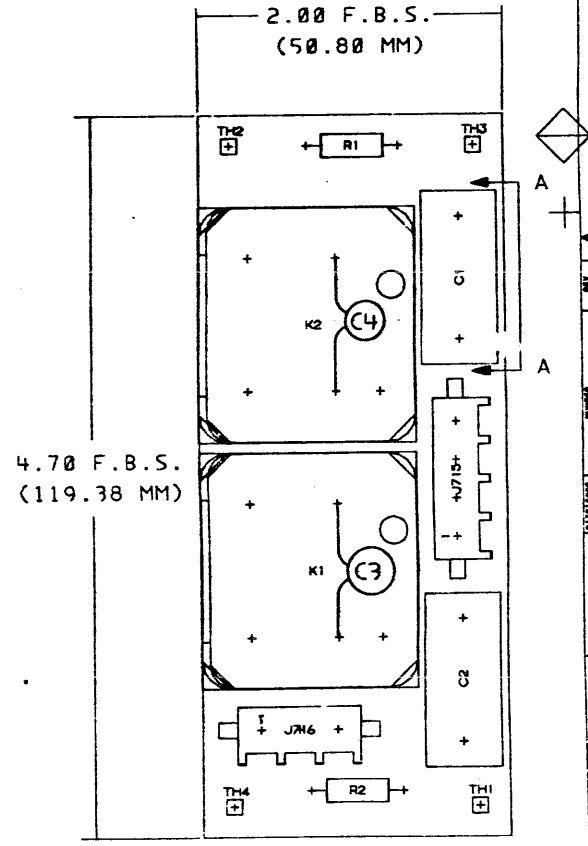
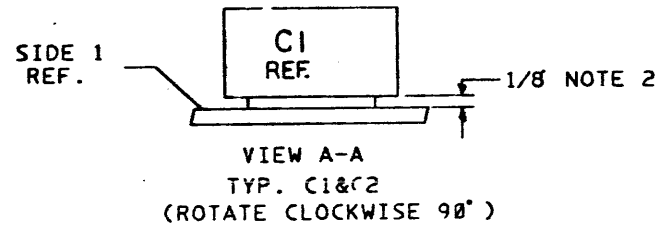
DOCUMENT NUMBER
DCS 5414668-0-1

SHEET 2 OF 2

DCS 5414668-0-1
REV 2

THIS DRAWING AND SPECIFICATIONS HEREIN ARE THE PROPERTY OF DIGITAL EQUIPMENT CORPORATION AND SHALL NOT BE REPRODUCED OR COPIED OR USED IN WHOLE OR IN PART AS THE BASIS FOR THE MANUFACTURE OR SALE OF ITEMS WITHOUT WRITTEN PERMISSION.
 COPYRIGHT © 1962 DIGITAL EQUIPMENT CORPORATION

8 0-8-20851h5 V0 D 2 1



NOTES:

1. THIS BOARD MEETS THE REQUIREMENTS FOR U/L TYPE 1.

2. IF C1&C2 SUPPLIED AS DIPPED BODY, SPACE OFF ETCH AS SHOWN.

STEP E	+ Y AXIS	STEP	TIME
REPEAT	+ X AXIS	STEP	TIME

CHANGE NO. REV.	B	
FOR APPROVAL BY		
DATE		
BY	A. MILLER	

ETCH REV. C

SIGNATURES	DATE	digital
DRN. JIM MC DONOUGH	22-2-62	
CHK'D. <i>[Signature]</i>	7 May 62	
MECH. ENG. <i>[Signature]</i>		TITLE H7660
PROJ. ENG. <i>[Signature]</i>		RELAY BOARD
PROD. <i>[Signature]</i>		SCALE 2/1
SHT. 1 OF 1	SIZE CODE D UA	NUMBER 5415092-0-0
NEXT HIGHER ASSY. B-00-5415092-0		REV B

DUA 5415092-0-0

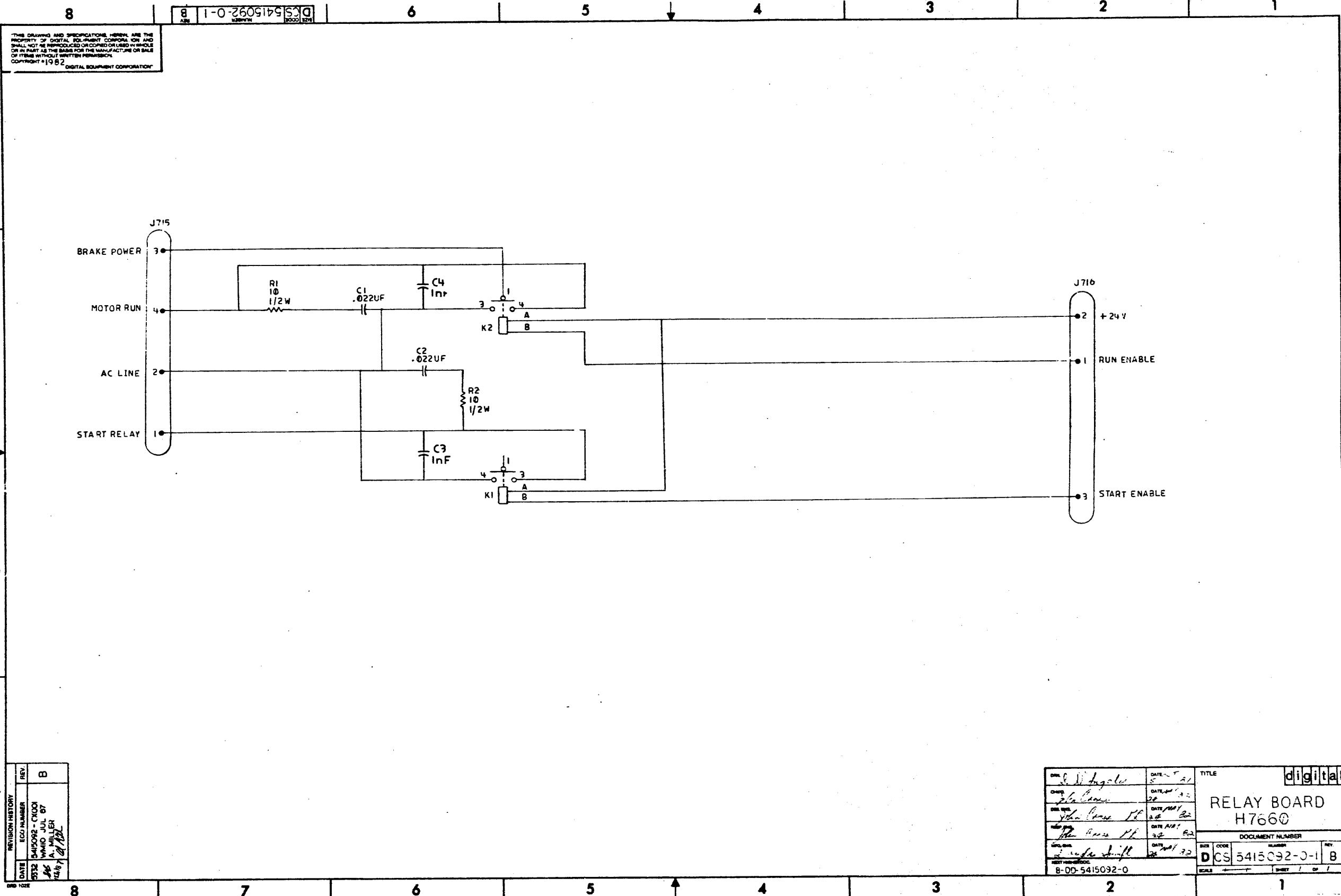
1 of 1

1 MS# 191462B

PARTS LIST

LINE ITEM	DOCUMENT NUMBER	PART NUMBER	DESCRIPTION	QTY PER VARIATION	REFERENCE DESIGNATOR
1	1	1014430-00	.022 MFD 270V 10% M.POLYPROP	2	C1,C2
2	2	1300168-00	10.0 .50 W 5.0 % CC	2	R1,R2
3	3	1219016-01	RLY,PWR, 24V.COIL,SPST,30A	2	K1,K2
4	4	1212297-01	MATE-N-LOK 04PIN(1X04).250CC HDR	1	J715
5	5	1212297-03	MATE-N-LOK 03PIN(1X03).250CC HDR	1	J716
6	6	5015091-00	DRILL AND ETCH BD	1	
7	7	D-CS-5415092-0-1	CIRCUIT SCHEMATIC	REF	
8	8	D-MD-5015091-0-0	DRILL & ETCH DWG.	REF	
9	9	D-EC-5015091-0-0	ETCH CUT DWG.	REF	
10	10	D-UA-5415092-0-0	UNIT ASSY. DWG.	REF	

REVISION HISTORY		BASIC PART NO: 5415092		DRN: ELLEN MATTON	DATE: 09-SEP-81	D I G I T A L		
ENG: PCA MD039	ECO NUMBER	REV: A	SECTION A OF A	CHK'D: DICK BARRIERE	DATE: 09-SEP-81	TITLE PARTS LIST		
			SECTION.VARIATION INDEX	DES.ENG: J. CROSS	DATE: 17-JUL-81	RELAY BOARD H7660		
			[A] 00	RESP.ENG.: J. CROSS	DATE: 17-JUL-81	DOCUMENT NUMBER		
			[B]	MFG.ENG.: W. EHRMAN	DATE: 17-JUL-81	SIZE: K	CODE: PL	NUMBER: 5415092-0-DBP
			[C]	ASSEMBLY NUMBER:	TOP DOCUMENT NUMBER:	FILE NAME:	REV	
			[D]	D-UA-5415092-0-0	#B-DD-5415092-0	Z2528A.PLS	EDIT #	
			[E]				9	
			[F]	*THIS DRAWING AND SPECIFICATIONS HEREIN, ARE THE PROPERTY OF DIGITAL EQUIPMENT CORPORATION AND SHALL NOT BE REPRODUCED OR COPIED OR USED IN WHOLE OR IN PART AS THE BASIS FOR THE MANUFACTURE OR SALE OF ITEMS WITHOUT WRITTEN PERMISSION.				
			[G]	COPYRIGHT (C) 1982. DIGITAL EQUIPMENT CORPORATION *				
			[H]					
			[J]					
			[K]					
			[L]					
			[M]					
			[N]					



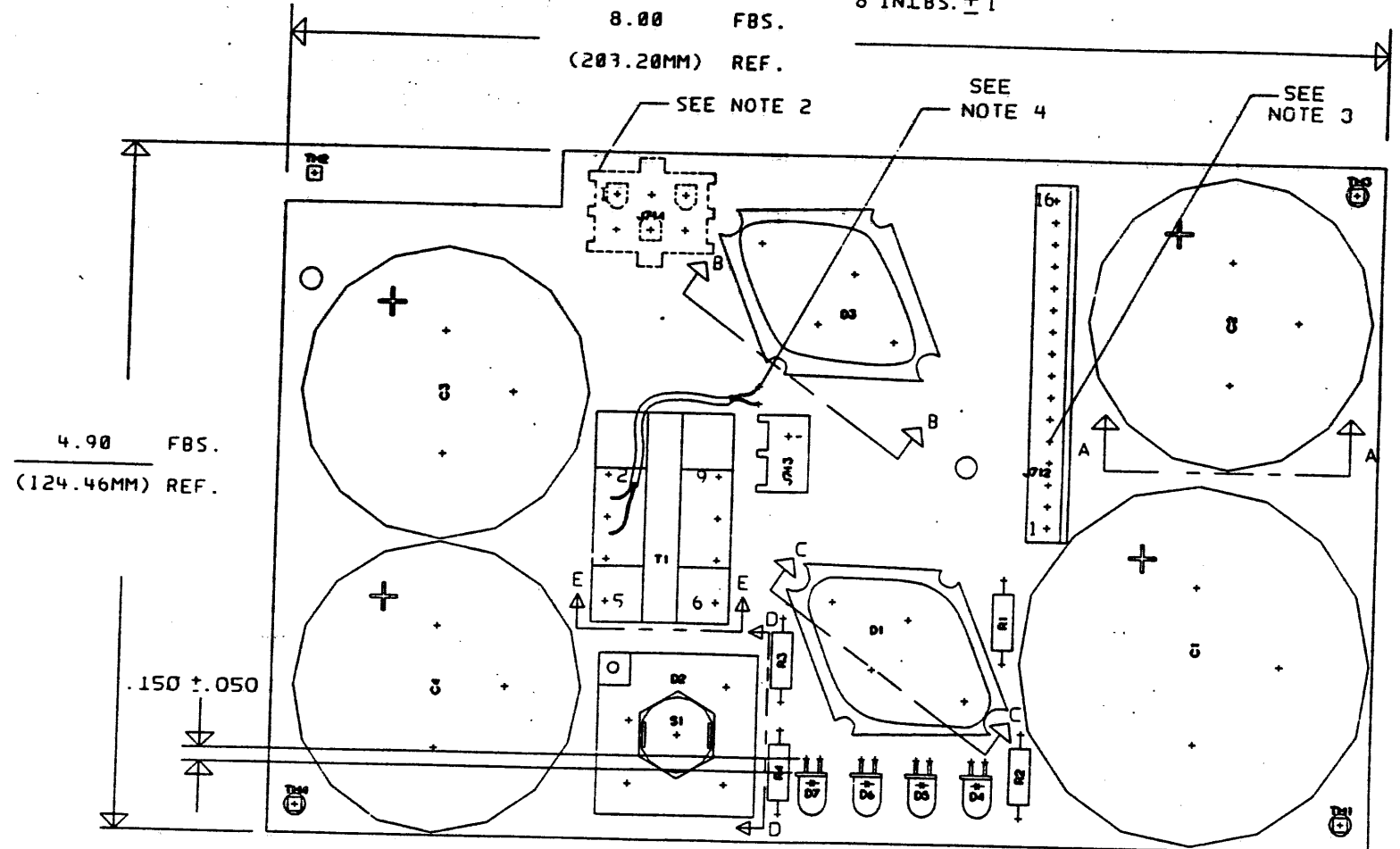
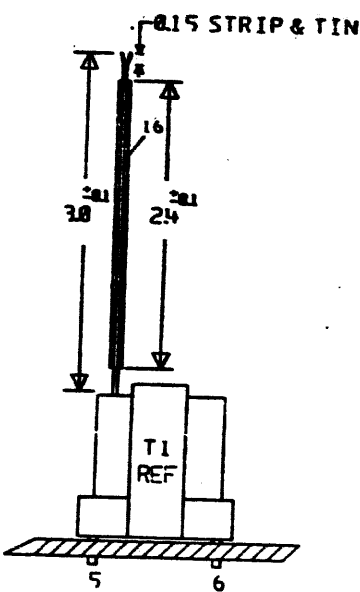
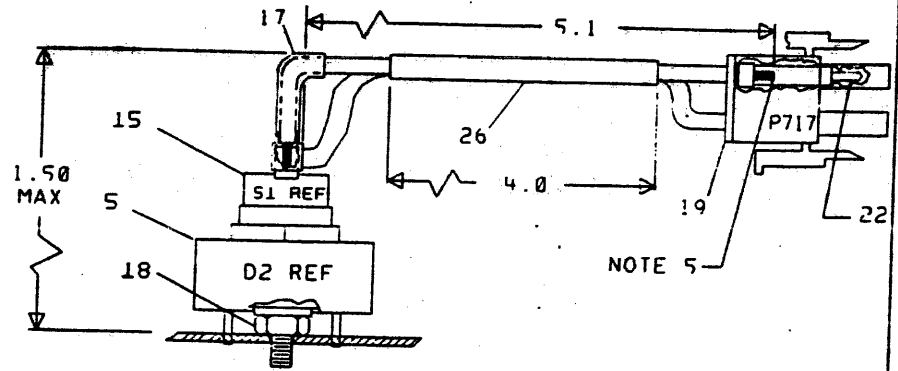
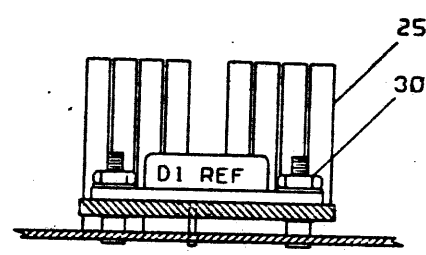
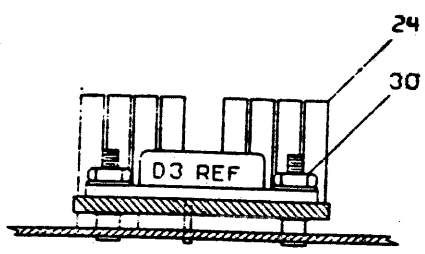
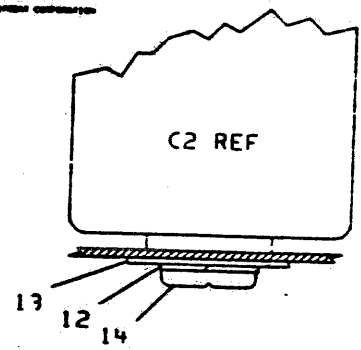
DCS 5415092-0-1 B

DCS 5415092-0-1

181

THIS BOARD MUST MEET U.I. REQUIREMENTS FOR U.I. TYPE 1. MOUNT J714 ON SIDE 2 AND HAND SOLDER AFTER WAVE SOLDERING.

0-0-h605(hsv) 2



- NOTES:
- THIS BOARD MUST MEET U.I. REQUIREMENTS FOR U.I. TYPE 1.
 - MOUNT J714 ON SIDE 2 AND HAND SOLDER AFTER WAVE SOLDERING.
 - CUT OR REMOVE PIN 5 OF J712 FOR KEYWAY.
 - CROSS LEADS OVER T1 AND SOLDER 2 PLACES AS SHOWN (POLARITY NOT CRITICAL).
 - STRIP WIRE BACK 1/8 IN. BEFORE CRIMP OF ITEM 22.

CHG. NO.	REV.

ETCH REV. B

SIGNATURES	DATE	TITLE
DRN. <i>Mary E. ...</i>	2/2/68	digital H7660 CAPACITOR BOARD
CHK D. <i>...</i>	2/2/68	
RECH. ENG. <i>...</i>	2/2/68	
PROJ. ENG. <i>...</i>	2/2/68	
PROD. <i>...</i>	2/2/68	
SCALE 2/1		SIZE CODE NUMBER REV
SHT. OF		0 UA 5415094-0-2 A
NEXT HIGHER ASSY.		3-00-5415094-3

MS# 181415B

AUTOMATED BY FRTLST.3P(44)

PARTS LIST

SHEET A1 OF A1

LINE	ITEM	TOP DOCUMENT	PART NUMBER	MIN REV	DESCRIPTION	QTY	PER VARIATION	REFERENCE DESIGNATOR
					VARIATION REVISION LEVEL:	00	A1	
1	1	D-MD-5015093-0-0	5015093-00		DRILL AND ETCH BD	1		
2	2		1018010-01		72,000 MFD 15V +75-10% AL EL	1		C2
3	3		1016239-00		19,000 MFD 40V +75-10% AL EL	2		C3,C4
4	4		1112723-00		RECT. ASSY PIV= 100 IO=25.00A	1		D1
5	5		1114245-00		RECT. ASSY PIV= 600 IO=30.00A	1		D2
6	6		1619286-01		XFMR,CURRENT RATIO 1:1:2:2:2000	1		T1
7	7		1216652-09		PCB,HEADER 16PIN(1X16).156CC STR	1		J712
8	8		1212297-00		MATE-N-LOK 02PIN(1X02).250CC HDR	1		J713
9	9		1212297-05		MATE-N-LOK 06PIN(2X03).250CC HDR	1		J714
10	10		1300308-00		390.0 .50 W 5.0 Z CF	2		R1,R2
11	11		1300415-00		2.20 K .50 W 5.0 Z CF	2		R3,R4
12	12		9007906-00		WASHER,HELICAL SPLIT STEEL	8		
13	13		9009950-01		WASHER,FLAT BRASS	8		
14	14		9000038-13		SCREW,MACH PAN PHIL 10-	8		
15	15	A-PS-1219953-0-0	1219953-01		THERMOSTAT,00177,C0212,NO W/.675	1		S1
16	16		9107303-11		TUBING,TEFLON .133ID	A/R		
17	17		9107255-01		TUBING,SHRINK .125ID EXP	2		
18	18		9010154-00		NUT,HEX EXT TOOTH LCKWSHR 8-32	1		
19	19	A-PS-1212167-0-0	1212167-02		MATE-N-LOK 02SKT(1X02).250CC HSG	1		
20	22	A-PS-1212169-0-0	1212169-00		MATE-N-LOK 01PIN 20-14AWG .0850D	2		
21	23		1114193-01		RECT. ASSY PIV= 600 IO=30.00A	1		D3
22	24		1219050-02		HEAT SINKS,TO-3 1.880X1.40	1		HSD3
23	25		1219050-00		HEAT SINKS,TO-3 1.880X1.40	1		HSD1
24	26		9107254-00		TUBING,SHRINK .187ID EXP	A/R		
25	28		1118196-01		LED 5MCD@20MA 2.1V GREEN	4		D4,D5,D6,D7
26	29		1016238-01		110,000 MFD 15V +75-10% AL EL	1		C1
27	30		9006185-00		NUT,HEX EXT TOOTH LCKWSHR 6-32	4		

REVISION HISTORY			BASIC PART NO: 5415094		DRN:	MIKE MC DONOUGH		DATE:	13-JUL-81		DIGITAL	
ENG!	ECO NUMBER	REV	SECTION A OF A		CHK'D:	D. BARRIERE		DATE:	17-JUL-81		TITLE PARTS LIST	
J.C!	PCA MD-026	AX04	SECTION.VARIATION INDEX								H7660 CAPACITOR BOARD	
J.C!	PCA MD-034	BX00	[A] 00									
J.C!	PCA MD-072	BX01	[B]									
JC!	PCA MD-078	BX02	[C]		DES.ENG:	J. CROSS		DATE:	17-JUL-81		DOCUMENT NUMBER	
JC!	PCA MD-113	BX03	[D]								SIZE!CODE! NUMBER ! REV	
JC!	PCA MD-122	A	[E]		RESP.ENG.:	J. CROSS		DATE:	17-JUL-81		K ! PL ! 5415094-0-DBP ! B	
RG!	5415094-CX001	B	[F]		MFG.ENG.:	W. EHRMAN		DATE:	17-JUL-81		RELEASE DATE: 07-FEB-85	
			[H]		ASSEMBLY NUMBER:			TOP DOCUMENT NUMBER:			FILE NAME: ! EDIT #!	
			[J]		D-UA-5415094-0-0			B-DD-5415094-0-0			Z2529B.PLS ! 33	
			[K]									
			[L]									
			[M]									
			[N]									

Handwritten:
2-7-85
R. Dunbar
2-7-85

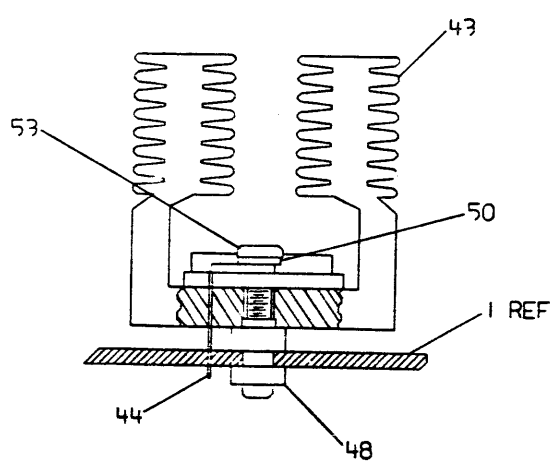
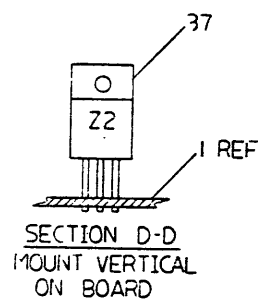
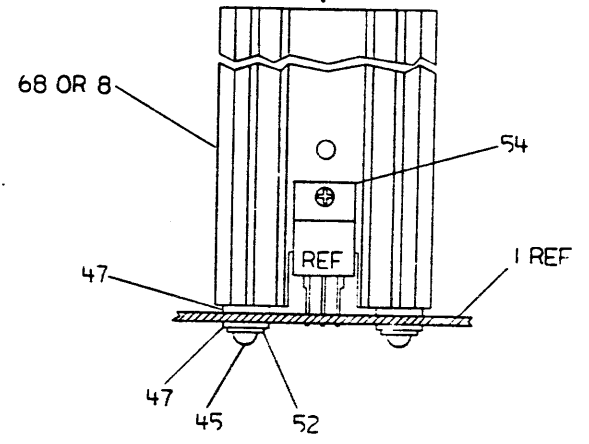
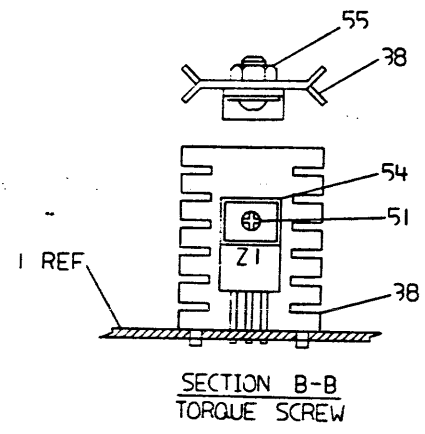
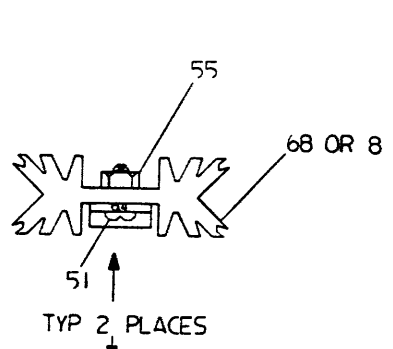
"THIS DRAWING AND THE SPECIFICATIONS CONTAINED HEREIN ARE CONFIDENTIAL AND PROPRIETARY. THEY ARE THE PROPERTY OF DIGITAL EQUIPMENT CORPORATION AND SHALL NOT BE REPRODUCED OR COPIED OR USED IN WHOLE OR IN PART AS THE BASIS FOR THE MANUFACTURE OR SALE OF ITEMS WITHOUT WRITTEN PERMISSION. THIS IS AN UNPUBLISHED WORK PROTECTED UNDER THE FEDERAL COPYRIGHT LAWS."

THIS DRAWING AND SPECIFICATIONS HERETO ARE THE PROPERTY OF DELTA EQUIPMENT CORPORATION AND SHALL NOT BE REPRODUCED OR COPIED IN WHOLE OR IN PART FOR THE BASIS FOR THE MANUFACTURE OF ANY OF THESE ITEMS WITHOUT PERMISSION. COPYRIGHT © 1984 DELTA EQUIPMENT CORPORATION

0 0-0-9605145 2 1

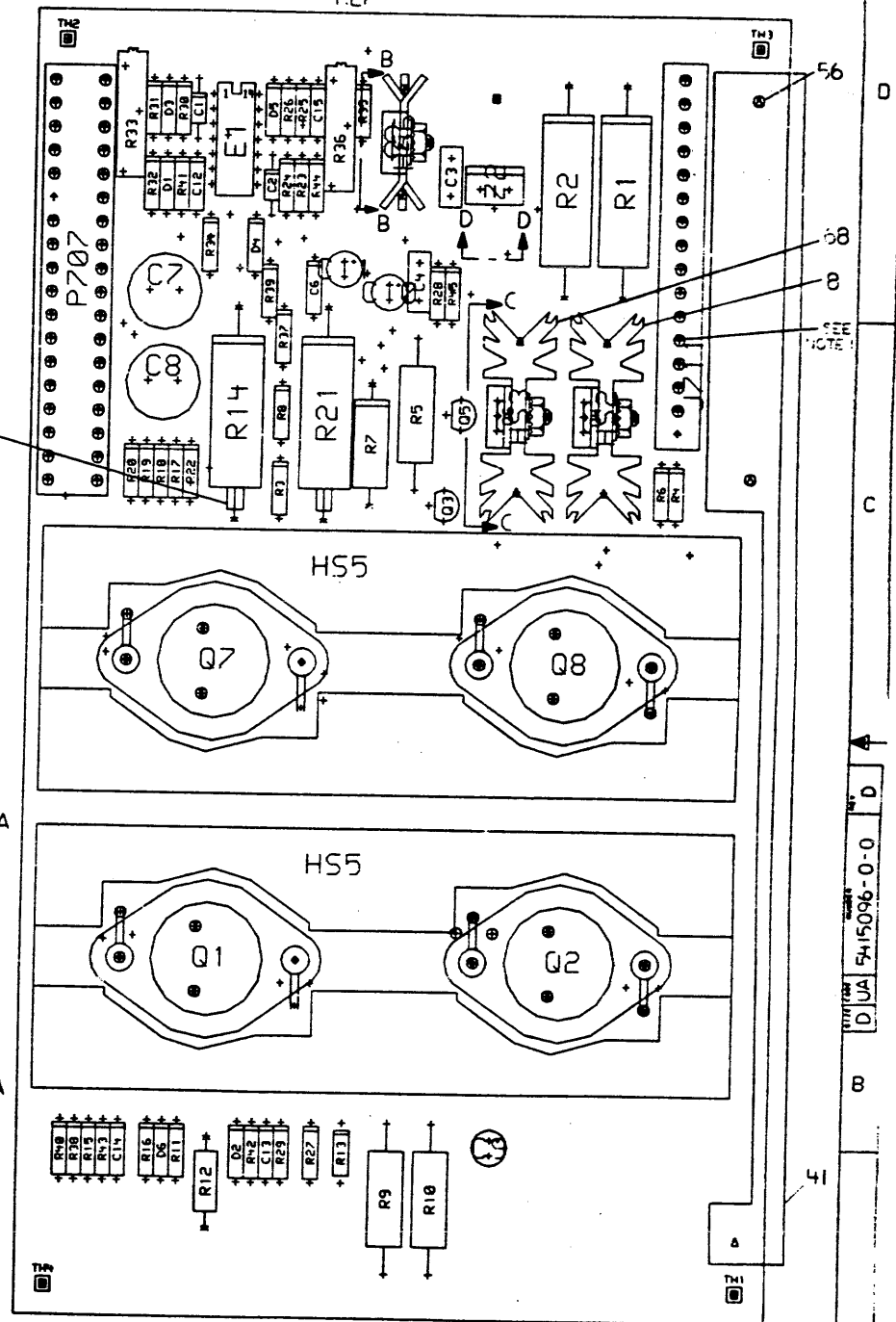
5.10 ± 0.20 F.B.S.
(129.54 MM)
REF

COMPONENT SIDE VIEW



73
(TYP 2 PLACES)

8.650 ± 0.20 F.B.S.
(219.71 MM)
REF



NOTES: 1. CUT PIN 12 OF J711 FOR KEY WAY.
2. THIS BOARD MEETS REQUIREMENTS FOR U.L. TYPE _____

STEP	E	+ Y AXIS	STEP	TIMES
REPEAT		+ X AXIS	STEP	TIMES

CHG	NO	REV	D
5037	44	15096	WILLER
		0000	WILLER
		0000	WILLER

ETCH REV.	C1-P2
-----------	-------

SIGNATURES		DATE	digital
DRN. <i>W. Miller</i>		11-1-84	
CHK D. <i>W. Miller</i>		11-1-84	TITLE REGULATOR BOARD H7660
MECH. ENG. <i>W. Miller</i>		11-1-84	
PROJ. ENG. <i>W. Miller</i>		11-1-84	SIZE CODE NUMBER REV
PROD. <i>W. Miller</i>		11-1-84	
SCALE 2/1			NEXT HIGHER ASSY. K-00-5415096-0-0
SHT. 1 OF 1			

1 MS# 625621

PARTS LIST

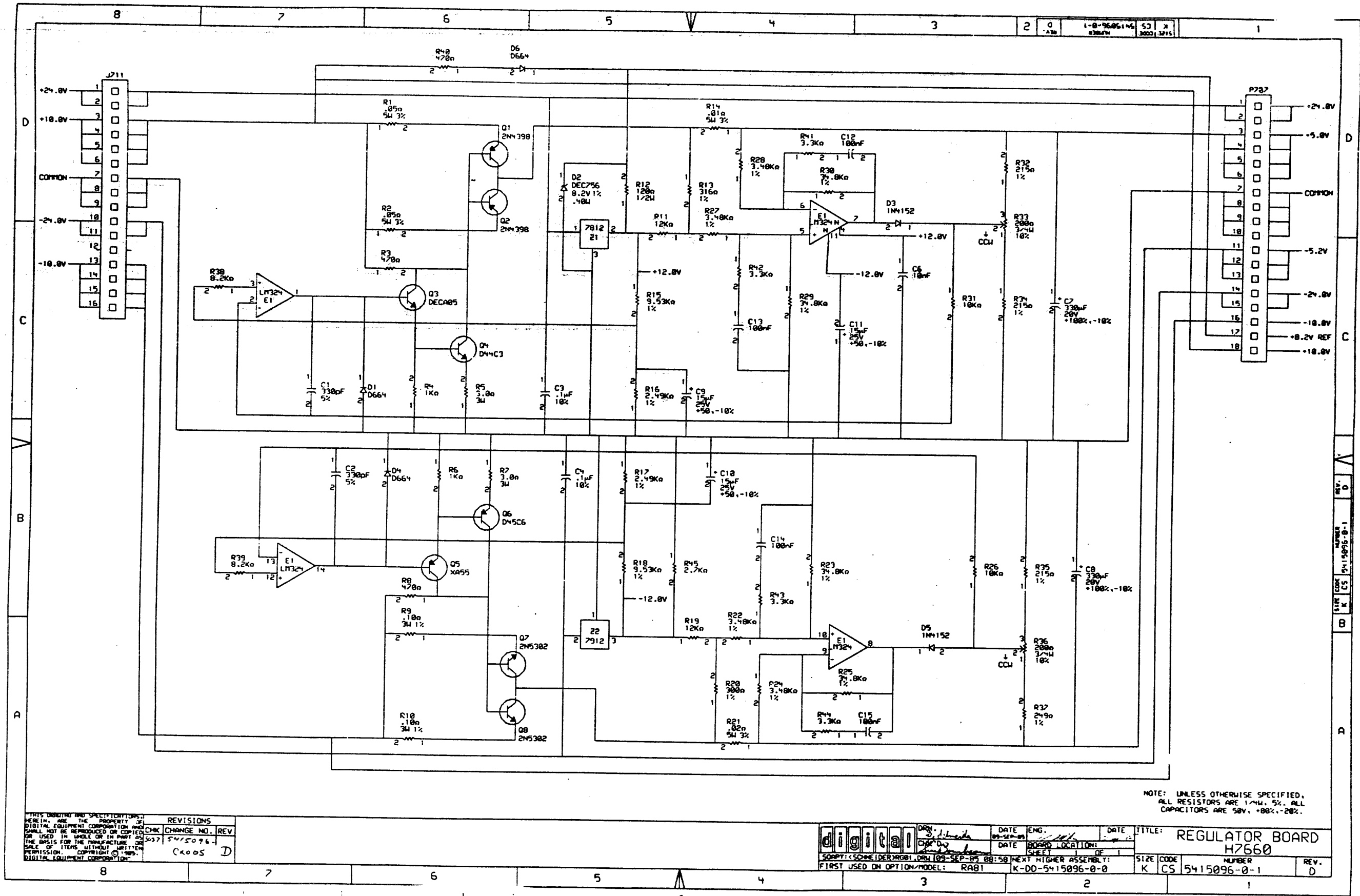
LINE	ITEM	TOP DOCUMENT	PART NUMBER	MIN REV	DESCRIPTION	QTY	PER VARIATION	REFERENCE DESIGNATOR
						00		
						D1		
1	1	K-DD-5015095-0-0	5015095-00	C	DRILL AND ETCH BD	1		
2	2		1001610-00		.01 MFD 50V +80-20% Z5U CER	1		C6
3	3		1010978-36		.1 MFD 50V 10% CER	2		C3,C4
4	4		1013393-00		330 MFD 20V+100-10% AL EL	2		C7,C8
5	5		1013466-18		330.0 MMF 50V 5% CER	2		C1,C2
6	6		1013466-22		.1 MFD 50V +80-20% Z5U CER	4		C12,C13,C14,C15
7	7		1018000-01		15 MFD 25V +50-10 AL EL	3		C9,C10,C11
8	8		1100114-00		PIV= 25 IO=135 MA	3		D1,D4,D6
9	9		1103441-01		VZ= 8.2 1% 400 MW 1N756A	1		D2
10	10		1114117-00		PIV= 40 IO= 75 A - 4NS	2		D3,D5
11	11		1211987-06	H	HEAT SINK,TO-3 4.750X01.7	1		
12	12		1213921-00	K	HEAT SINK,EXTRUSION 1.380X1.00	1		
13	13		1213921-01	K	HEAT SINK,EXTRUSION 1.380X1.50	1		
14	14		1214255-09		HEAT SINK,TO-3 04.75X01.7	1		
15	15		1214789-00	CR	INSERT,THREAD	8		
16	16		1215228-00	D	HEAT SINKS,TO-220 01.25X0.87	1		
17	17		1216652-09		PCB,HEADER 16PIN(1X16).156CC STR	1		J711
18	18		1217990-07		CONN,P+S 18SKT(1X18).156CC	1		P707
19	19		1300243-00		120.0 .50 W 5.0 % CF	1		R12
20	20		1300316-00		470.0 .25 W 5.0 % CF	3		R3,R8,R40
21	21		1300365-00		1.0 K .25 W 5.0 % CF	2		R4,R6
22	22		1300426-00		2.70 K .25 W 5.0 % CF	1		R45
23	23		1300439-00		3.30 K .25 W 5.0 % CF	4		R41,R42,R43,R44
24	24		1300479-00		10.0 K .25 W 5.0 % CF	2		R26,R31
25	25		1300488-00		12.0 K .25 W 5.0 % CF	2		R11,R19
26	26		1303156-00		34.80 K .25 W 1.0 % RN55D-F10	4		R23,R25,R29,R30
27	27		1303179-00		8.20 K .25 W 5.0 % CF	2		R38,R39
28	28		1304725-00		300.0 .25 W 1.0 % RN55D-F10	1		R20
29	29		1304863-00		316.0 .25 W 1.0 % RN55D-F10	1		R13
30	30		1305114-00		3.48 K .25 W 1.0 % RN55D-F10	4		R22,R24,R27,R28

REVISION HISTORY			BASIC PART NO: 5415096										
ENG	ECO NUMBER	REV	SECTION A OF A	DRN:	SHERI LEHMAN	DATE: 17-MAR-83	D	I	G	I	T	A	L
RG	5415096-CX002	B	SECTION VARIATION INDEX	CHK'D:	<i>Sue Bourbeau</i>	10 Sept 85	TITLE PARTS LIST						
RG	5415096-CX003	C	CAJ 00		SUE BOURBEAU	17-MAR-83	REGULATOR BOARD						
RG	5415096-CX004	D	[B]			12-9-85	H7660						
WM	5415096-CX005	E	[C]	DES.ENG:	BOB GUENTHER	17-MAR-83	DOCUMENT NUMBER						
			[D]				SIZE	CODE	NUMBER	REV			
			[E]	REP.ENG.:	BOB GUENTHER	17-MAR-83	K	PL	5415096-0-DBF	E			
			[F]		<i>Sid Friedman</i>	19 Sept 85	RELEASE DATE: 26-AUG-85						
			[G]	MFG.ENG.:	WARREN EHRMAN	17-MAR-83							
			[H]	ASSEMBLY NUMBER:			TOP DOCUMENT NUMBER:		FILE NAME:	EDIT #			
			[I]	D-UA-5415096-0-0			K-DD-5415096-0-0		Z2530E.PLS	18			

"THIS DRAWING AND THE SPECIFICATIONS CONTAINED HEREIN ARE CONFIDENTIAL AND PROPRIETARY. THEY ARE THE PROPERTY OF DIGITAL EQUIPMENT CORPORATION AND SHALL NOT BE REPRODUCED OR COPIED OR USED IN WHOLE OR IN PART AS THE BASIS FOR THE MANUFACTURE OR SALE OF ITEMS WITHOUT WRITTEN PERMISSION. THIS IS AN UNPUBLISHED WORK PROTECTED UNDER THE FEDERAL COPYRIGHT LAWS."

LINE	ITEM	TOP DOCUMENT	PART NUMBER	MIN REV	DESCRIPTION	QTY	PER VARIATION	REFERENCE DESIGNATOR
					VARIATION REVISION LEVEL:	00		
						D1		
31	31		1305123-00		215.0 .25 W 1.0 % RN55D-F10	3		R32,R34,R35
32	32		1309143-05		200.0 .75 W10.0 % POT	2		R33,R36
33	33		1310876-00		.02 5.0 W 3.0 % WW	1		R21
34	34		1310876-03		.05 5.0 W 3.0 % WW	2		R1,R2
35	35		1312626-00		2.49 K .25 W 1.0 % RN55D-F10	1		R16
36	36		1312682-00		3.0 3.0 W 5.0 % WW	2		R5,R7
37	37		1313712-00		.01 5.0 W 3.0 % WW	1		R14
38	38		1314397-00		9.53 K .25 W 1.0 % RN55D-F10	1		R15
39	39		1315240-00		.10 3.0 W 1.0 % WW	2		R9,R10
40	40		1317404-00		249.0 .25 W 1.0 % RN55D-F10	1		R37
41	41		1505870-00		2N 4398 PNF 200WC SI 40 40 Y	2		Q1,Q2
42	42		1510171-00		D 44C3 NPN 30WT SI 30 20 Y	1		Q4
43	43		1510196-00		2N 5302/HSMFN 200WC SI 60 40 M	2		Q7,Q8
44	44		1510414-00		D 45C6 PNP 30WT SI 45 20 Y	1		Q6
45	45		1510705-00		XA 05 NPN 500MW SI 60 50 P	1		Q3
46	46		1510706-00		XA 55 PNP 500MW SI 60 50 P	1		Q5
47	47		1912048-05		7812 VOLT REG, FIX +12V	1		Z1
48	48		1912107-60		LN 324 BURNED-IN OP AMP, QUA	1		E1
49	49		1914517-01		7912 VOLT REG, FIX -12V	1		Z2
50	50		7426111-00		CR HANDLE, REGULATOR BOARD	1		
51	51		9000024-01		CR EYELET, ROLLED 0.1210DX0.192	3		
52	52		9006011-01		CR SCREW, MACH PAN PHIL 4-	3		
53	53		9006557-00		CR NUT, HEX EXT TOOTH LCKWSHR 4-40	3		
54	54		9006632-00		CR WASHER, LOCK INTERNAL STEEL	4		
55	55		9006706-00		CR WASHER, FLAT NYLON	8		
56	56		9007794-01		CR SCREW, MACH PAN PHIL 6-	8		
57	57		9007801-00		CR WASHER, HELICAL SPLIT SST	8		
58	58		9009876-00		A SCREW, TAP PAN PHIL THD CT 4-	4		
59	59		9009676-00		CR TERM, SOLDER BARRIER STR	8		
60	60		9009769-00		CR WASHER, RECTNGLR STEEL	3		
61	61		9107295-11		TUBING, TEFLON .066ID	A/R		
62	62		1304867-00		7.0 K .25 W 1.0 % RN55D-F10	1		R17
63	63		1318546-11		26.70 K .25 W 1.0 % RN55D-F10	1		R18

D	I	G	I	T	A	L	TITLE	SECTION A OF A	SIZE	CODE	DOCUMENT NUMBER	REV
							REGULATOR BOARD		K	PL	5415096-0-DBP	E
							H7660					



NOTE: UNLESS OTHERWISE SPECIFIED, ALL RESISTORS ARE 1/4W, 5%. ALL CAPACITORS ARE 50V, +80%, -20%.

THIS DRAWING AND SPECIFICATIONS HEREIN ARE THE PROPERTY OF DIGITAL EQUIPMENT CORPORATION AND SHALL NOT BE REPRODUCED OR COPIED OR USED IN WHOLE OR IN PART AS THE BASIS FOR THE MANUFACTURE OR SALE OF ITEMS WITHOUT WRITTEN PERMISSION. COPYRIGHT © 1980, DIGITAL EQUIPMENT CORPORATION.

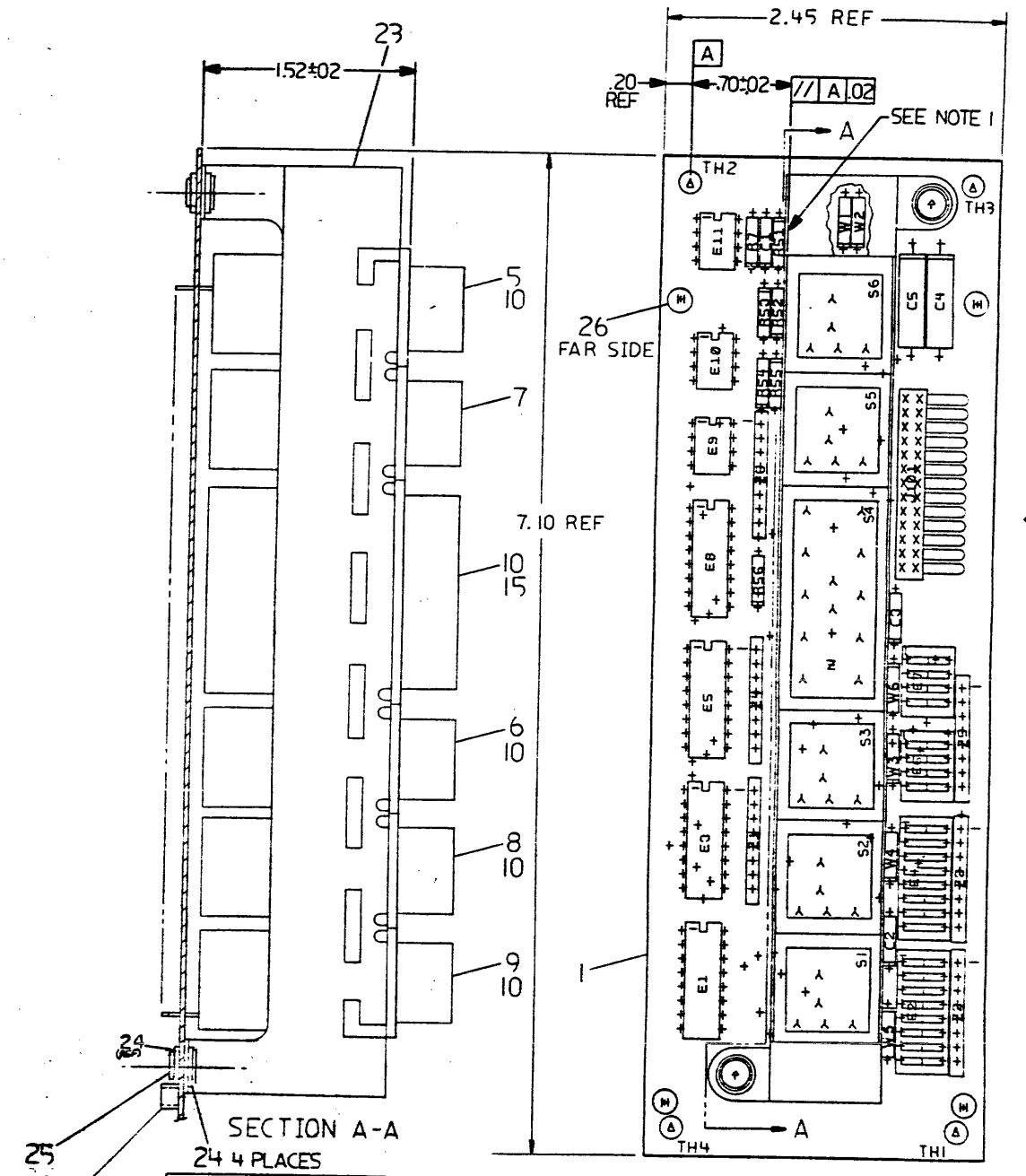
REV.	CHANGE NO.	REV.
0005	D	5415096

digital	DATE	ENG.	DATE	TITLE: REGULATOR BOARD H7660
	09-SEP-85			
DATE		BOARD LOCATION:		SIZE CODE
				K CS
FIRST USED ON OPTION/MODEL: RAB1		NEXT HIGHER ASSEMBLY: K-DD-5415096-0-0		NUMBER
				5415096-0-1
				REV. D

THIS DRAWING AND ASSOCIATED MATERIALS ARE THE PROPERTY OF THE UNITED STATES GOVERNMENT AND ARE TO BE REPRODUCED AND TRANSMITTED IN ANY FORM AND BY ANY MEANS, ELECTRONIC OR MECHANICAL, INCLUDING PHOTOCOPYING, RECORDING, OR BY ANY INFORMATION STORAGE AND RETRIEVAL SYSTEM, WITHOUT PERMISSION IN WRITING FROM THE DIRECTOR, ARPA, WASH. DC 20305.

8 7 DUA5414927-0-0 6 5 4 3 2 1

COMPONENT SIDE VIEW



NOTES: 2ML97
1. DIMENSION LEADER SHOWN TO EDGE OF SWITCH BEZEL.

STEP E → Y AXIS STEP TIMES
REPORT → X AXIS STEP TIMES

CHANGE NO	REV	DESCRIPTION
A		
B		

ETCH REV. C

SIGNATURES		DATE	digital
DRN. <i>J. P. ...</i>			
CHK'D. <i>J. P. ...</i>			TITLE R80 OPER
MECH. ENG. <i>J. P. ...</i>			CNTRL PANEL
PROJ. ENG. <i>J. P. ...</i>			SCALE 2/1
PROD. <i>D. SWIFT</i>			SHT. 1 OF 1
NEXT HIGHER ASSY. H-DD-5414927-0-0		SIZE CODE	NUMBER
		D UA	5414927-0-0 B

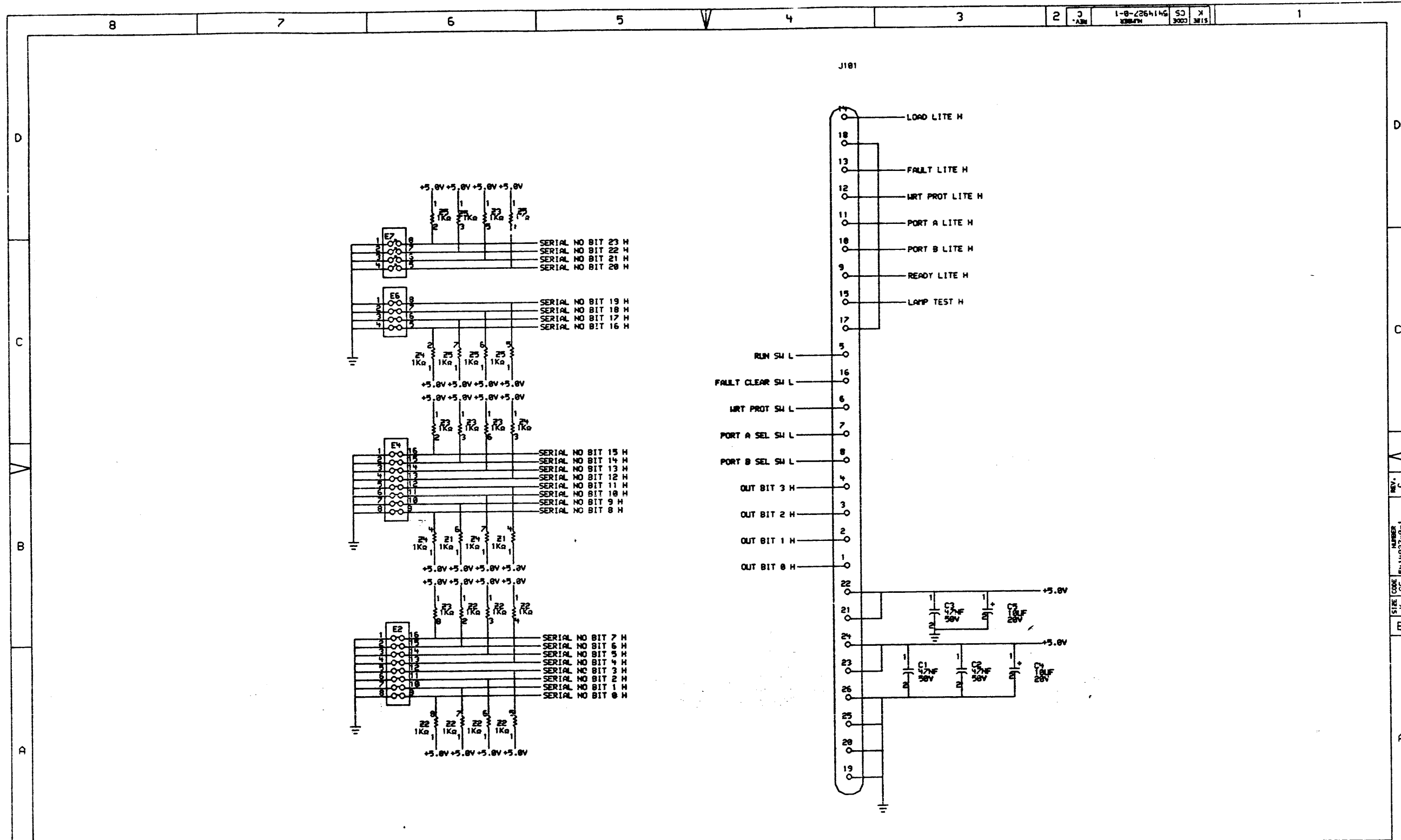
1 WO#290044C

D-VA-5414927-0-0

LINE	ITEM	TOP DOCUMENT	PART NUMBER	MIN REV	DESCRIPTION	QTY	PER VAR/REV	REFERENCE DESIGNATORS
						00		
						B2		
1	1	D-MD-5014926-0-0	50-14926-00		DRILL & ETCH BOARD	1		
2	2		10-04813-00		10 MFD 20V +/-10% SOL	2		C4,C5
3	3		10-12784-00		0.047MFD 50V +80/-20% Z5U C	3		C1-C3
4	4		12-11164-00		SW,DIP 4POS/1PST 5VDC100MA F	1		E7
5	5		12-12714-00		CAP,PB SW YELLO/BLK "RUN ST	1		X6
6	6		12-12714-01		CAP,PB SW YELLO/BLK "WRITE	1		X3
7	7		12-12714-02		CAP,PB SW RED/BLK "FAULT"	1		X5
8	8		12-12714-03		CAP,PB SW WHITE/BLK "A"	1		X2
9	9		12-12714-04		CAP,PB SW WHITE/BLK "B"	1		X1
10	10		12-12716-00		LAMP,WEDGE,6.3V,.2A,.4MSCP,T1-3/	5		I1-I4,I6
11	11		12-12717-01		SW,PB 1PDT ALT 2A	4		S1-S3,S6
12	12		12-12717-12		SW,PB,LT 1PDT MOM	1		S5
13	13		12-12965-03		PCB,HEADER 26PIN(2X13).100CC 90D	1		J101
14	14		12-18198-00		SW,ENCODER 256 CODES 10M	1		S4
15	15		12-18199-01		/REPLACED BY 12-18199-00	1		X4
16	16		12-18231-07		SHUNT,DIP 8POS	2		E2,E4
17	17		12-18231-03		SHUNT,DIP 4POS	1		E6
18	18		13-00229-00		100.0 .25 W 5.0 % CF	1		R7
19	19		13-00365-00		1.0 K .25 W 5.0 % CF	6		R51-R56
20	20		13-16254-02		R. NET 1.0K- 7 2.0	6		Z1-Z6
21	21		19-23039-01		74ALS251 DATA SELECTORS/MUX 3	4		E1,E3,E5,E8
22	22		19-14432-00		75454 DRIVER,PERIPH,DUAL,N	3		E9-E11
23	23	D-MD-7425953-0-0	74-25953-01		BRACKET,SWITCH RETAINER	1		
24	24		90-06655-00		WASHER,FLAT SST	4		
25	25		90-06732-00		EYELET,ROLLED 0.1210DX0.219	2		
26	26		90-09113-01		STANDOFF,PC BOARD MOUNTED 4-40	4		
27	27		90-09185-00		JUMPER, WIRE, INSULATED, BLACK B	6		W1-W6

REVISION HISTORY			KPL MODULE FORMAT SECTION A OF A			DRN: S. BOURBEAU			DIGITAL		
ENG	ECO NUMBER	REV	SECTION/VARIATION INDEX			DATE:	19-JAN-81				
	INITIAL	A	[A]	00	[M]	CHK'D:	R. MICHAUD				
GF	5414927-CX001	B	[B]		[N]	DATE:	19-JAN-81				
FP	5414927-CX003	C	[C]		[P]	DES.ENG:	W. SERGEANT				
AM	5414927-CX006	D	[D]		[Q]	DATE:	19-JAN-81				
			[E]		[R]	DOCUMENT NUMBER					
			[F]		[S]	SIZE CODE	NUMBER REV				
			[H]		[T]	RESP.ENG.:	M. RICHESSON				
			[J]		[V]	DATE:	19-JAN-81				
			[K]		[W]	MFG.ENG.:	D.SWIFT				
			[L]		[Y]	DATE:	19-JAN-81				
			BASIC PART NUMBER:			ASSEMBLY NUMBER:	TOP DOCUMENT NUMBER:	FILE NAME:	EDIT #		
			5414927			D-UA-5414927-0-0	K-DD-5414927-0-0	Z1541D.PLS	2		

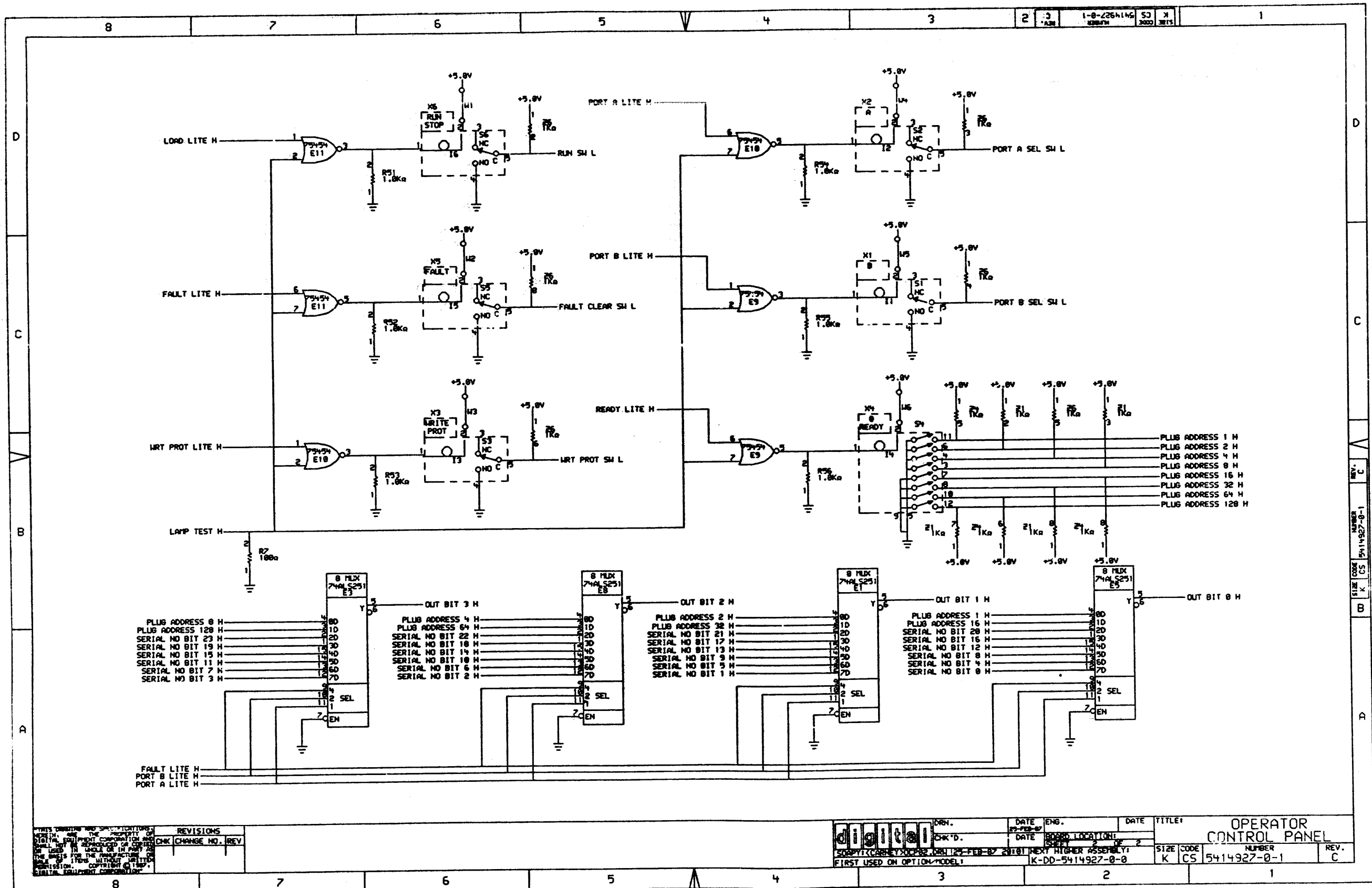
"THIS DRAWING AND THE SPECIFICATIONS CONTAINED HEREIN ARE CONFIDENTIAL AND PROPRIETARY. THEY ARE THE PROPERTY OF DIGITAL EQUIPMENT CORPORATION AND SHALL NOT BE REPRODUCED OR COPIED OR USED IN WHOLE OR IN PART AS THE BASIS FOR THE MANUFACTURE OR SALE OF ITEMS WITHOUT WRITTEN PERMISSION. THIS IS AN UNPUBLISHED WORK PROTECTED UNDER THE FEDERAL COPYRIGHT LAWS."



THIS DRAWING AND SPECIFICATIONS ARE THE PROPERTY OF DIGITAL EQUIPMENT CORPORATION AND SHALL NOT BE REPRODUCED OR COPIED IN WHOLE OR IN PART AS THE BASIS FOR THE MANUFACTURE OF ANY ITEMS WITHOUT WRITTEN PERMISSION. COPYRIGHT © 1974, DIGITAL EQUIPMENT CORPORATION.

REVISIONS	
CHK	CHANGE NO. REV.
547	549927 - C
	CX206

	DATE: 26 FEB 77	ENG: J. MILLER	DATE: 5 MAR 77	TITLE: OPERATOR CONTROL PANEL
	DATE: 26 FEB 77	BOARD LOCATION: 2	SHEET: 2	NUMBER: 17MTD 22
FIRST USED ON OPTION MODEL: R880				SIZE: K CS CODE: 5414927-0-1 REV: C



1-8-2261145
 CS K
 2000 2813

REV. C
 SIZE CODE NUMBER
 K CS 5414927-0-1

PLUG ADDRESS 0 H
 PLUG ADDRESS 128 H
 SERIAL NO BIT 23 H
 SERIAL NO BIT 19 H
 SERIAL NO BIT 15 H
 SERIAL NO BIT 11 H
 SERIAL NO BIT 7 H
 SERIAL NO BIT 3 H

PLUG ADDRESS 4 H
 PLUG ADDRESS 64 H
 SERIAL NO BIT 22 H
 SERIAL NO BIT 18 H
 SERIAL NO BIT 14 H
 SERIAL NO BIT 10 H
 SERIAL NO BIT 6 H
 SERIAL NO BIT 2 H

PLUG ADDRESS 2 H
 PLUG ADDRESS 32 H
 SERIAL NO BIT 21 H
 SERIAL NO BIT 17 H
 SERIAL NO BIT 13 H
 SERIAL NO BIT 9 H
 SERIAL NO BIT 5 H
 SERIAL NO BIT 1 H

PLUG ADDRESS 1 H
 PLUG ADDRESS 16 H
 SERIAL NO BIT 20 H
 SERIAL NO BIT 16 H
 SERIAL NO BIT 12 H
 SERIAL NO BIT 8 H
 SERIAL NO BIT 4 H
 SERIAL NO BIT 0 H

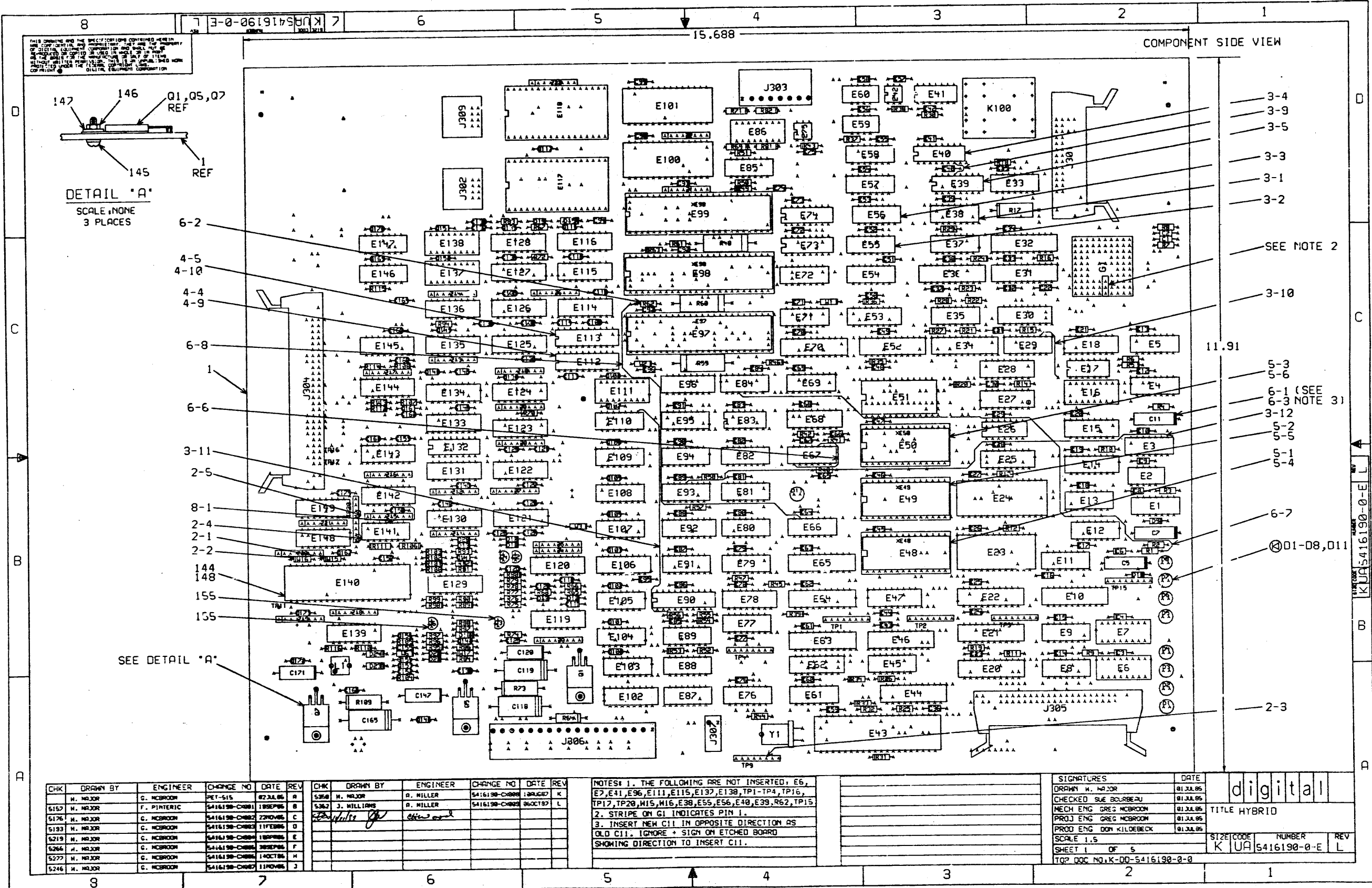
PLUG ADDRESS 1 H
 PLUG ADDRESS 2 H
 PLUG ADDRESS 4 H
 PLUG ADDRESS 8 H
 PLUG ADDRESS 16 H
 PLUG ADDRESS 32 H
 PLUG ADDRESS 64 H
 PLUG ADDRESS 128 H

REVISIONS
CHK CHANGE NO. REV

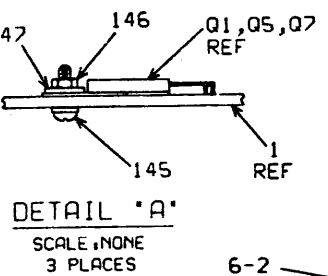
	ENGR.	DATE	ENGR.	DATE	TITLE
	CHK'D.	DATE	BOARD LOCATION	SHEET	OPERATOR CONTROL PANEL
504PY1 (CABINET) XOP22 (CABINET) 24-FEB-87 20101 NEXT HIGHER ASSEMBLY FIRST USED ON OPTION MODEL 1 K-DD-5414927-0-0					SIZE CODE NUMBER K CS 5414927-0-1
					REV. C

8 7 6 5 4 3 2 1

D C B A



THIS DRAWING AND THE SPECIFICATIONS CONTAINED HEREIN ARE THE PROPERTY OF DIGITAL EQUIPMENT CORPORATION. NO PART OF THIS DRAWING OR SPECIFICATIONS IS TO BE REPRODUCED OR TRANSMITTED IN ANY FORM OR BY ANY MEANS, ELECTRONIC OR MECHANICAL, INCLUDING PHOTOCOPYING, RECORDING, OR BY ANY INFORMATION STORAGE AND RETRIEVAL SYSTEM, WITHOUT THE WRITTEN PERMISSION OF DIGITAL EQUIPMENT CORPORATION. © DIGITAL EQUIPMENT CORPORATION



CHK	DRAWN BY	ENGINEER	CHANGE NO	DATE	REV
	H. MAJOR	C. MCROON	PET-515	02/24/85	A
5157	H. MAJOR	F. PINTERIC	5416190-0081	18SEP85	B
5176	H. MAJOR	C. MCROON	5416190-0082	22NOV85	C
5193	H. MAJOR	C. MCROON	5416190-0083	11FEB86	D
5219	H. MAJOR	C. MCROON	5416190-0084	18FEB86	E
5264	H. MAJOR	C. MCROON	5416190-0085	30SEP86	F
5277	H. MAJOR	C. MCROON	5416190-0086	14OCT86	H
5246	H. MAJOR	C. MCROON	5416190-0087	11NOV86	J

CHK	DRAWN BY	ENGINEER	CHANGE NO	DATE	REV
	H. MAJOR	R. MILLER	5416190-0088	18AUG87	K
	J. WILLIAMS	R. MILLER	5416190-0089	06OCT87	L

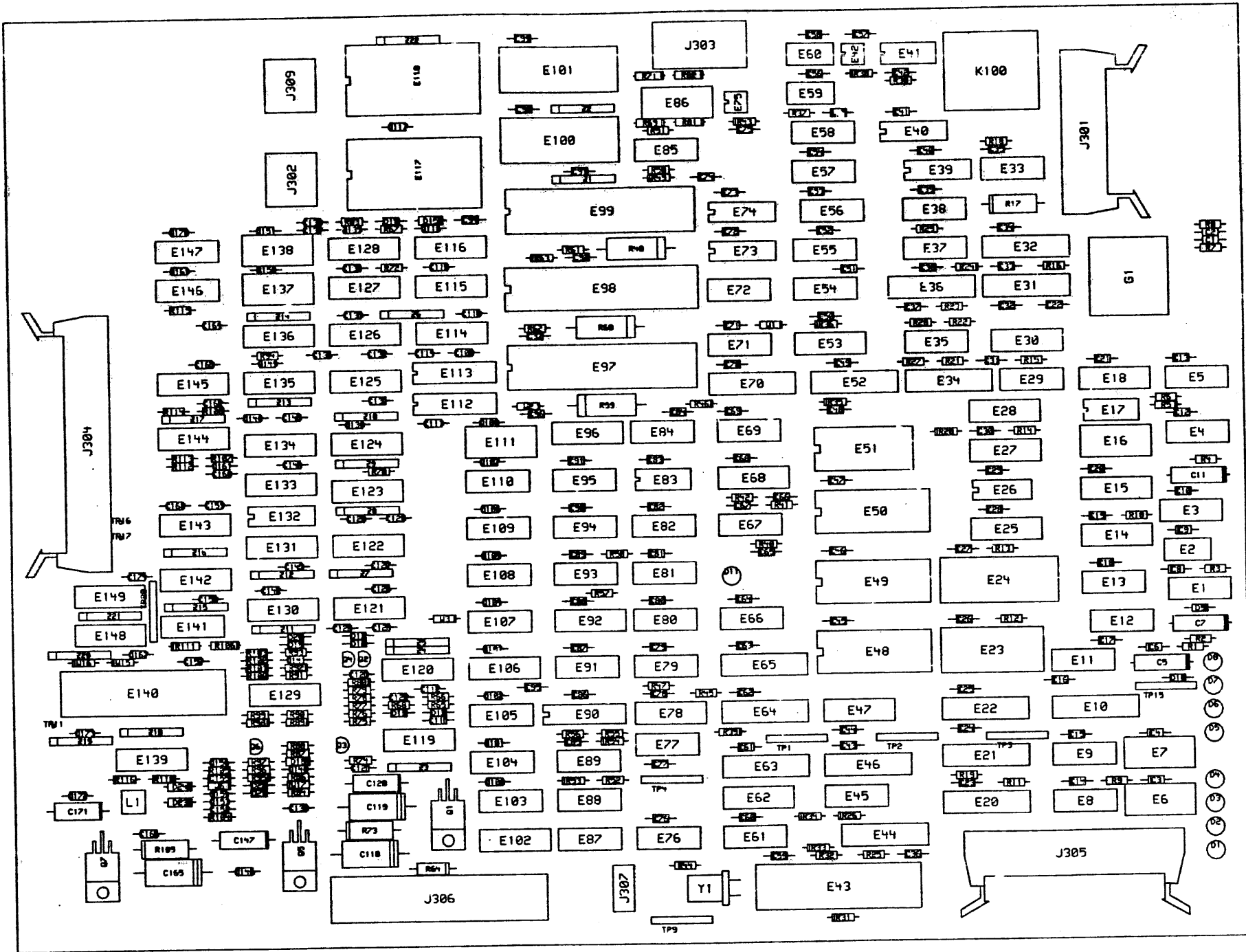
NOTES: 1. THE FOLLOWING ARE NOT INSERTED: E6, E7, E41, E96, E111, E115, E137, E138, TP1-TP4, TP16, TP17, TP20, M15, M16, E38, E55, E56, E40, E39, R62, TP15
 2. STRIPE ON G1 INDICATES PIN 1.
 3. INSERT NEW C11 IN OPPOSITE DIRECTION AS OLD C11. IGNORE + SIGN ON ETCHED BOARD SHOWING DIRECTION TO INSERT C11.

SIGNATURES		DATE
DRAWN H. MAJOR		01.23.85
CHECKED SUE BOURBEU		01.23.85
MECH ENG GREG MCROON		01.23.85
PROD ENG DON KILDEBECK		01.23.85
SCALE 1:5		
SHEET 1 OF 5		
TOP QOC NO. K-00-5416190-0-0		

digital		
TITLE HYBRID		
SIZE	CODE	NUMBER
K	UA	5416190-0-E
REV	L	

8 7 6 5 4 3 2 1

THIS DRAWING AND THE SPECIFICATIONS CONTAINED HEREIN ARE THE PROPERTY OF THE UNITED STATES GOVERNMENT AND ARE LOANED TO YOU BY THE NATIONAL BUREAU OF STANDARDS. IT IS TO BE USED FOR THE PURPOSES SPECIFIED IN THE ORDER AND IS NOT TO BE REPRODUCED OR TRANSMITTED IN ANY FORM OR BY ANY MEANS, ELECTRONIC OR MECHANICAL, INCLUDING PHOTOCOPYING, RECORDING, OR BY ANY INFORMATION STORAGE AND RETRIEVAL SYSTEM, WITHOUT PERMISSION IN WRITING FROM THE NATIONAL BUREAU OF STANDARDS.

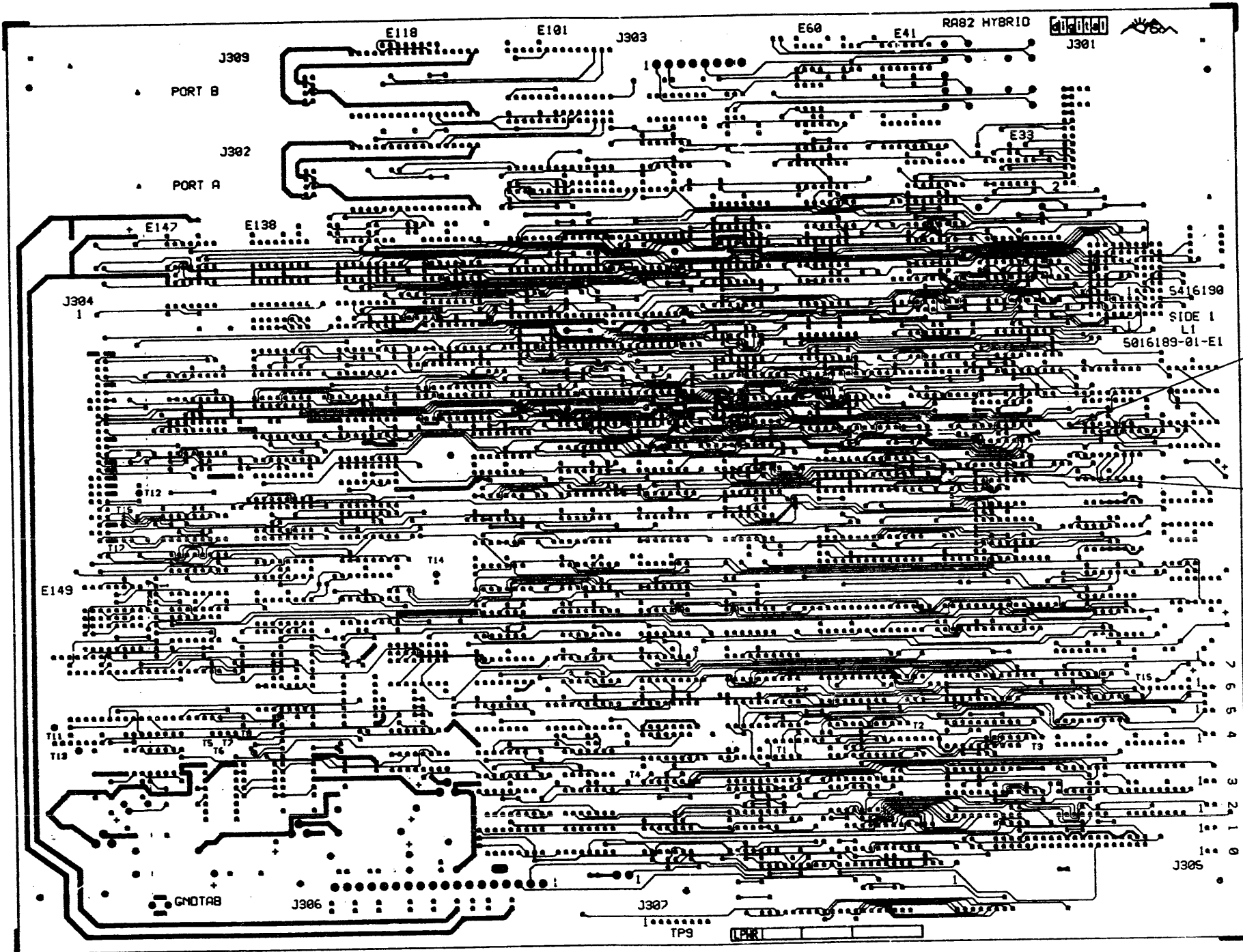


8 7 6 5 4 3 2 1

TITLE
HYBRID

SIZE/	DOCUMENT NUMBER	NUMBER	REV
K	UA5416190-0-E	L	
SCALE 1:5	SHEET 7 OF 5		

THIS DRAWING AND THE SPECIFICATIONS CONTAINED HEREIN ARE THE PROPERTY OF THE U.S. GOVERNMENT AND ARE LOANED TO YOU BY THE AIR FORCE. IT IS TO BE USED FOR THE PURPOSES OF WHICH IT IS LOANED AND NOT TO BE REPRODUCED OR COPIED IN ANY MANNER WITHOUT THE EXPRESS WRITTEN PERMISSION OF THE U.S. GOVERNMENT. THE U.S. GOVERNMENT ACCEPTS NO LIABILITY FOR THE QUALITY OF THE INFORMATION CONTAINED HEREIN.



SIDE 1

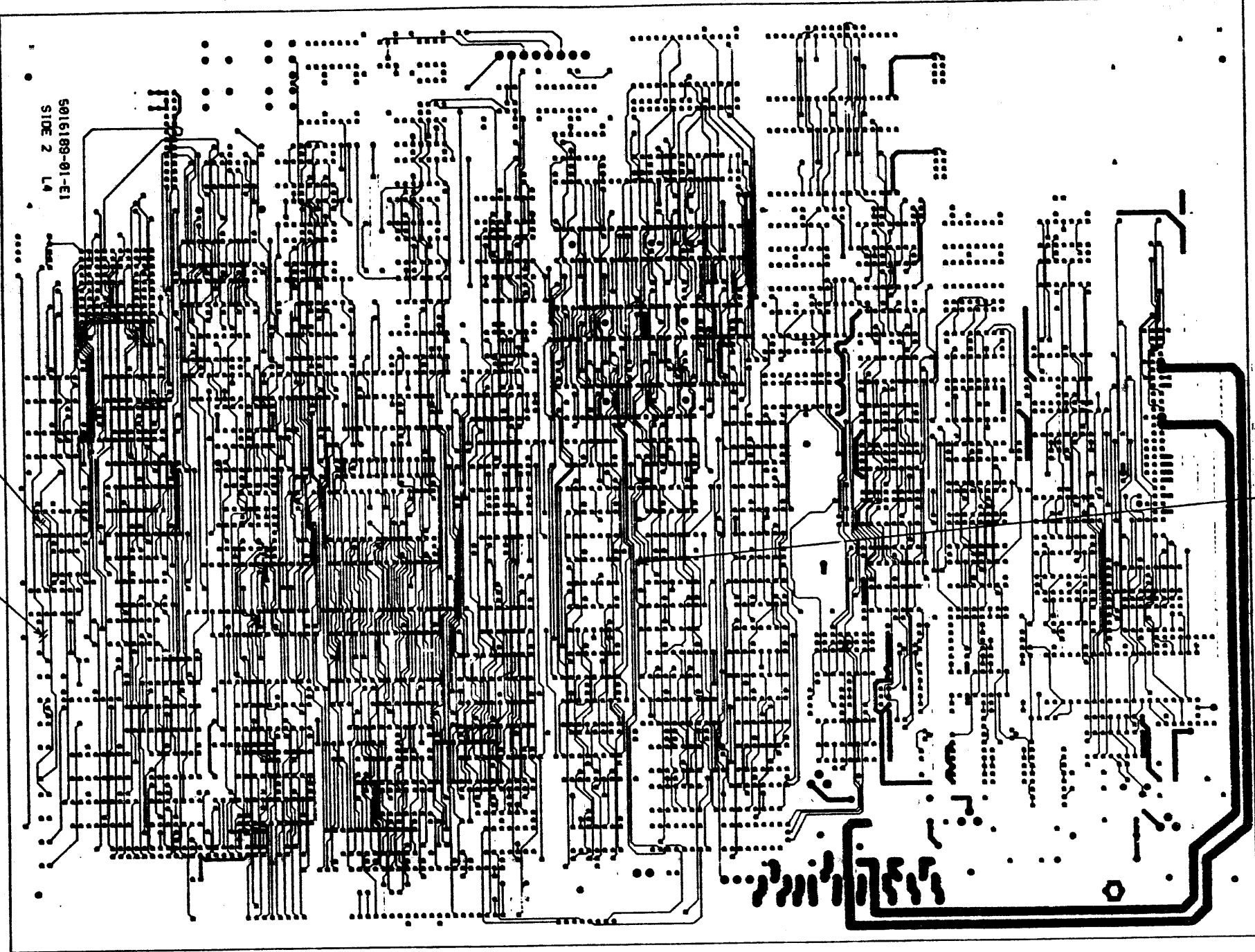
TITLE
HYBRID

SIZE	CODE	DOCUMENT NUMBER	NUMBER	REV
K	UA	5416190-0-E	L	
SCALE 1:5		SHEET 3 OF 5		

KUA5416190-0-E1

8 7 6 5 4 3 2 1

THIS DRAWING AND THE SPECIFICATIONS CONTAINED HEREIN ARE THE PROPERTY OF THE DIGITAL EQUIPMENT CORPORATION AND ARE TO BE USED ONLY FOR THE MANUFACTURE OR SALE OF ITEMS AS SPECIFIED IN THE DRAWING. NO PART OF THIS DRAWING IS TO BE REPRODUCED OR TRANSMITTED IN ANY FORM OR BY ANY MEANS, ELECTRONIC OR MECHANICAL, INCLUDING PHOTOCOPYING, RECORDING, OR BY ANY INFORMATION STORAGE AND RETRIEVAL SYSTEM, WITHOUT PERMISSION IN WRITING FROM THE DIGITAL EQUIPMENT CORPORATION.



5016189-01-E1
SIDE 2 LA

3-8
6-5

3-7

SIDE 2

8 7 6 5 4 3 2 1

TITLE
HYBRID

DOCUMENT NUMBER		REV
SIZE CODE	NUMBER	
K UA	5416190-0-E	L
SCALE 1:5	SHEET 4 OF 5	

D C B A
K UA 5416190-0-E L

THIS DRAWING AND THE SPECIFICATIONS CONTAINED HEREIN ARE CONFIDENTIAL AND PROPRIETARY. THEY ARE THE PROPERTY OF DIGITAL EQUIPMENT CORPORATION AND SHALL NOT BE REPRODUCED OR COPIED OR USED IN WHOLE OR IN PART OR THE BASIS FOR THE MANUFACTURE OR SALE OF ITEMS WITHOUT WRITTEN PERMISSION. THIS IS AN UNCLASSIFIED WORK PRODUCT UNDER THE FEDERAL COPYRIGHT LAW.
 COPYRIGHT © DIGITAL EQUIPMENT CORPORATION

5416190-CX002

COMPONENT MODIFY

2-3 MODIFY TP9 PIN 6 BY CUTTING AT CONNECTOR BASE

COMPONENT DELETES

2-1 DELETE W15
 2-2 DELETE W16

WIRE ADDS

2-4 ADD WIRE FROM TP20 PIN 7 TO TP20 PIN 8
 2-5 ADD WIRE FROM TP20 PIN 3 TO TP20 PIN 4

5416190-CX003

COMPONENT DELETES

3-1 DELETE E38
 3-2 DELETE E55
 3-3 DELETE E56
 3-4 DELETE E40
 3-5 DELETE E39

ETCH CUTS (SIDE 1)

3-6 CUT ETCH BETWEEN E17 PIN 3 AND THE PTH LEFT OF E17 PIN 1

ETCH CUTS (SIDE 2)

3-7 CUT ETCH BETWEEN E92 PIN 9 AND THE FEEDTHRU NEAR E93 PIN 8
 3-8 CUT ETCH COMING FROM E3 PIN 8

WIRE ADDS (SIDE 1)

3-9 ADD WIRE FROM E39 PIN 13 TO E40 PIN 7
 3-10 ADD WIRE FROM E29 PIN 9 TO PTH LEFT OF E17
 3-11 ADD WIRE FROM E90 PIN 3 TO E110 PIN 8
 3-12 ADD WIRE FROM E93 PIN 11 TO E3 PIN 8

PART MARKING

3-13 AFTER ABOVE REWORK MARK MODULE PART REV * A4 *

5416190-CX004

COMPONENT DELETES

4-1 DELETE E48
 4-2 DELETE E49
 4-3 DELETE E50
 4-4 DELETE E112
 4-5 DELETE E113

COMPONENT ADDS

4-6 ADD E48 (23290E4-00)
 4-7 ADD E49 (23291E4-00)
 4-8 ADD E50 (23292E4-00)
 4-9 ADD E112 (23065K5-00)
 4-10 ADD E113 (23066K5-00)

PART MARKING

4-11 AFTER ABOVE REWORK MARK MODULE PART REV B1

5416190-CX005

COMPONENT DELETES

5-1 DELETE E48
 5-2 DELETE E49
 5-3 DELETE E50

COMPONENT ADDS

5-4 ADD E48 (23-258E4-00)
 5-5 ADD E49 (23-258E4-00)
 5-6 ADD E50 (23-258E4-00)

PART MARKING

5-7 AFTER ABOVE REWORK MARK MODULE PART REV C1

5416190-CX006

COMPONENT DELETES

6-1 DELETE C11
 6-2 DELETE R62

ETCH CUTS (SIDE 1)

6-4 CUT ETCH FROM E84 PIN 3

ETCH CUTS (SIDE 2)

6-5 CUT ETCH FROM R1 PIN 2

COMPONENT ADDS

6-3 ADD C11 (10-00076-00)
 NOTE: NEW C11 SHOULD BE INSERTED IN THE OPPOSITE DIRECTION AS OLD C11. IGNORE ** SIGN ON ETCHED BOARD SHOWING DIRECTION TO INSERT C11.

WIRE ADDS

6-6 ADD WIRE FROM E67 PIN 1 TO E67 PIN 10
 6-7 ADD WIRE FROM E84 PIN 3 TO R1 PIN 2
 6-8 ADD WIRE FROM E66 PIN 13 TO LOCATION OF R62 PIN 2

5416190-CX008

WIRE ADDS

8-1 ADD WIRE FROM E142 PIN 5 TO E141 PIN 10

DOCUMENT NUMBER
 SIZE CODE NUMBER REV
 K UA5416190-0-E L
 SCALE 1.5 SHEET 5 OF 5

LINE ITEM	TOP DOCUMENT	PART NUMBER	MIN REV	DESCRIPTION	QTY PER VAR/REV	REFERENCE DESIGNATORS
					01 F2	
1	1 K-DD-5J16189-0-0	50-16189-01	E	DRILL AND ETCH	1	
2	2	10-00076-00		39 MFD 10V +/-10% SOL	1	C11
3	3	10-01610-00		0.010MFD 50V +80/-20% Z5U C	154	C3,C4,C6,C8-C10,C12-C29, CONT C32-C66,C68-C117,C121-C127, CONT C129-C135,C137-C146,C148-C151, CONT C156-C164,C166-C170,C172-C174
4	4	10-04813-00		10 MFD 20V +/-10% SOL	2	C5,C7
5	5	10-12784-00		0.047MFD 50V +80/-20% Z5U C	2	C31,C154
6	6	10-13466-09	1000	PFD 50V +/-10% X7R C	4	C1,C2,C30,C67
7	7	10-13466-17	150	PFD 50V +/- 5% NPO C	1	C128
8	8	10-13466-18	330	PFD 50V +/- 5% NPO C	1	C152
9	9	10-13466-36	1000	PFD 50V +/- 2% NPO C	1	C136
10	10	10-13466-29	1500	PFD 50V +/- 5% NPO C	1	C155
11	11	10-16555-00	22	MFD 50V +50/-10% ALU	3	C118,C119,C165
12	12	10-17472-00	10	MFD 35V +75/-10% ALU	3	C120,C147,C171
13	13	11-00114-00		PIV= 25 IO=135 MA	2	D9,D10
14	14	11-04860-00		VZ= 3.3 5% 400 MW 1N746A	1	D15
15	15	11-05275-00		PIV= 60 IO=300 MA -15NS	1	D14
16	16	11-05871-00		VZ= 5.15 1% 250 MW	1	D18
17	17	11-12689-00		LED .8MCD@16MA VF=5V	9	D1-D8,D11
18	18	11-13003-00		PIV= 55 IO=200 MA - 4NS 1N5282	8	D12,D13,D16,D17,D19-D22
19	19	11-16824-01		VARACTOR PIV= 30 IO=400.MW	2	D23,D24
20	20	12-12204-06		PCB HEADER 08PIN(1X08).156CC 90D	1	J303
21	21	12-12204-12		PCB HEADER 02PIN(1X02).156CC 90D	1	J307
22	22	12-12204-14		PCB HEADER 18PIN(1X18).156CC 90D	1	J306
23	23	12-12518-03		PCB,HEADER 08POS(1X08).100CC STR	1	TP9
24	24	12-16832-01		PCB,HEADER 26POS(2X13).100CC 90D	1	J301
25	25	12-16832-02		PCB,HEADER 40POS(2X20).100CC 90D	1	J305
26	26	12-16832-03		PCB,HEADER 50POS(2X25).100CC 90D	1	J304
27	27	12-18414-00		PCB,HEADER 08PIN(2X04).100CC 90D	2	J302,J309
28	28	12-19011-01		RLY,G.P., 5V COIL,4PDT,PC MTG	1	K100
29	29	13-00005-04		R. NET 470.0 -15 5.0	1	E127

REVISION HISTORY			KPL MODULE FORMAT SECTION A OF A DRN:		SUE BOURBEAU	
ENG	ECO NUMBER	REV	SECTION/VARIATION INDEX	DATE:	DIGITAL	
GM	PET-515	A	[CA] 01 [M]	01-JUL-85	CHK'D:	SUE BOURBEAU
FP	15416190-CX001	B	[CB] [N]	01-JUL-85	DATE:	01-JUL-85
GM	15416190-CX002	C	[C] [P]		DES.ENG:	GREG MCBROOM
GM	15416190-CX003	D	[D] [Q]	01-JUL-85	DATE:	01-JUL-85
GM	15416190-CX004	E	[E] [R]		RESP.ENG.:	GREG MCBROOM
GM	15416190-CX005	F	[F] [S]	01-JUL-85	DATE:	01-JUL-85
GM	15416190-CX006	H	[H] [T]			
GM	15416190-CX007	J	[J] [V]			
AM	15416190-CX008	K	[K] [W]		MFG.ENG:	DON KILDEBECK
AM	15416190-CX009	L	[L] [Y]	01-JUL-85	DATE:	01-JUL-85
PR	15416190-CX010	M				
PR	15416190-CX011	N				
			BASIC PART NUMBER:	ASSEMBLY NUMBER:	TOP DOCUMENT NUMBER:	FILE NAME:
			15416190	K-UA-5416190-0-E	K-DD-5416190-0-0	26121N.PLS
						EDIT #
						2

"THIS DRAWING AND THE SPECIFICATIONS CONTAINED HEREIN ARE CONFIDENTIAL AND PROPRIETARY. THEY ARE THE PROPERTY OF DIGITAL EQUIPMENT CORPORATION AND SHALL NOT BE REPRODUCED OR COPIED OR USED IN WHOLE OR IN PART AS THE BASIS FOR THE MANUFACTURE OR SALE OF ITEMS WITHOUT WRITTEN PERMISSION. THIS IS AN UNPUBLISHED WORK PROTECTED UNDER THE FEDERAL COPYRIGHT LAWS."

PARTS LIST

LINE	ITEM	TOP DOCUMENT	PART NUMBER	MIN REV	DESCRIPTION	QTY PER VAR/REV	REFERENCE DESIGNATORS	
						01 F2		
30	30		13-00202-00	47.0	.25 W 5.0 % CF	5	R88,R90,R91,R99,R100	
31	31		13-00229-00	100.0	.25 W 5.0 % CF	1	R93	
32	32		13-00243-00	120.0	.50 W 5.0 % CF	1	R64	
33	33		13-00250-00	150.0	.25 W 5.0 % CF	2	R68,R107	
34	34		13-00271-00	220.0	.25 W 5.0 % CF	2	R1,R3	
35	35		13-00295-00	330.0	.25 W 5.0 % CF	1	R97	
36	36		13-00316-00	470.0	.25 W 5.0 % CF	22	R5,R20,R24-R26,R31,R33-R36,R38, CONT R39,R43,R46,R49,R54,R63,R80, CONT R89,R92,R98,R101	
37	37		13-00365-00	1.0 K	.25 W 5.0 % CF	37	R6,R9-R13,R16,R18,R19,R21-R23, CONT R27-R29,R32,R40,R41,R44,R45, CONT R47,R50-R53,R55-R58,R61,R70, CONT R72,R84,R86,R108,R114,R115	
38	38		13-00417-00	2.20 K	.25 W 5.0 % CF	1	R103	
39	39		13-00432-00	3.0 K	.25 W 5.0 % CF	1	R102	
40	40		13-00444-00	3.90 K	.25 W 5.0 % CF	1	R75	
41	41		13-00479-00	10.0 K	.25 W 5.0 % CF	3	R14,R30,R37	
42	42		13-00496-00	15.0 K	.25 W 5.0 % CF	2	R2,R4	
43	43		13-00539-00	120.0 K	.25 W 5.0 % CF	1	R15	
44	44		13-01422-00	7.50 K	.25 W 5.0 % CF	3	R7,R8,R42	
45	45		13-01477-00	82.0	.25 W 5.0 % CF	4	R65,R66,R112,R113	
46	46		13-01522-00	27.0	.25 W 5.0 % CF	1	R83	
47	47		13-02177-00	47.0 K	.25 W 5.0 % CF	1	R105	
48	48		13-02602-00	56.0	.25 W 5.0 % CF	1	R67	
49	49		13-02871-00	1.21 K	.25 W 1.0 % RN55D-F10	2	R77,R78	
50	50		13-02872-00	*** THIS ITEM IS NOT USED ***			-	
51	51		13-02873-00	261.0	.25 W 1.0 % RN55D-F10	1	R106	
52	52		13-02956-00	196.0	.25 W 1.0 % RN55D-F10	2	R74,R87	
53	53		13-03226-00	68.10	.25 W 1.0 % RN55D-F10	1	R95	
54	54		13-04863-00	*** THIS ITEM IS NOT USED ***			-	
55	55		13-05126-00	619.0	.25 W 1.0 % RN55D-F10	2	R110,R116	
56	56		13-11653-00	2.15 K	.25 W 1.0 % RN55D-F10	2	R76,R79	
57	57		13-13583-00	150.0	.25 W 1.0 % RN55D-F10	2	R81,R82	
58	58		13-13584-00	158.0	.25 W 1.0 % RN55D-F10	1	R96	
59	59		13-14042-00	102.0	.25 W 1.0 % RN55D-F10	1	R104	
60	60		13-16254-00	R. NET	470.0 - 7 2.0	21	Z1-Z12,Z14-Z22	
61	61		13-16254-01	R. NET	4.7K- 7 2.0	1	Z13	
62	62		13-18341-01	162.0	.25 W 1.0 % RN55D-F10	1	R111	
63	63		13-18881-00	10.0	1.0 W 1.0 % RN70D-F10	3	R48,R59,R60	
64	64		13-19255-06	12.0	1.0 W 5.0 % M.OXIDE	1	R17	
65	65		13-19255-18	39.0	1.0 W 5.0 % M.OXIDE	1	R73	
66	66		13-19470-11	75.0	1.0 W 5.0 % M.OXIDE	1	R109	
67	67		13-19531-01	221.0	.25 W 1.0 % RN55D-F10	2	R69,R71	
68	68		15-09524-00	2N 3904	NPN 310MW SI 40 40 M	1	Q2	
69	69		15-09525-00	2N 3906	PNP 310MW SI 40100 Y	1	Q4	
70	70		15-17998-00	3127	NPN 425MW ARRAY 16PIN	1	E129	
71	71		15-19472-01	2N 4209	PNP 300MW 15VQ50MA	2	Q3,Q6	
72	72		16-19014-01	DELAY=	20NS,10TAPS	1	E141	
73	73		16-19636-03		.136UH VARIABLE 5-1/2TURNS	1	L1	
74	74		18-12396-05	XTAL	6.144 MHZ	1	Y1	

D	I	G	I	T	A	L	TITLE	SECTION A OF A	SIZE	CODE	DOCUMENT NUMBER	REV
							HYBRID		K	PL	5416190-0-DBPE	N

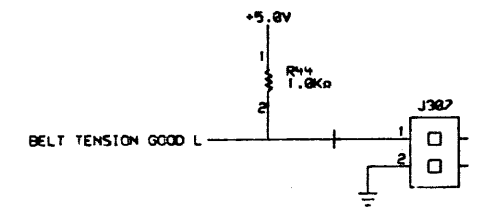
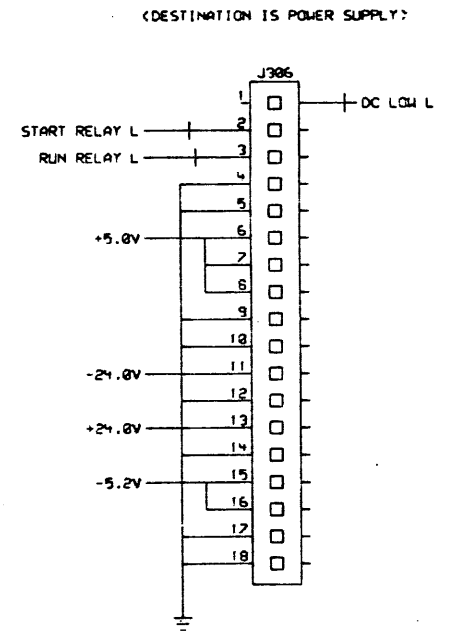
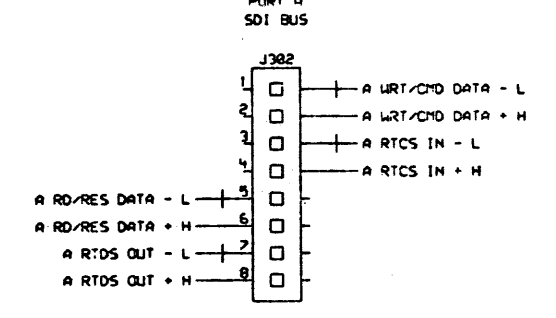
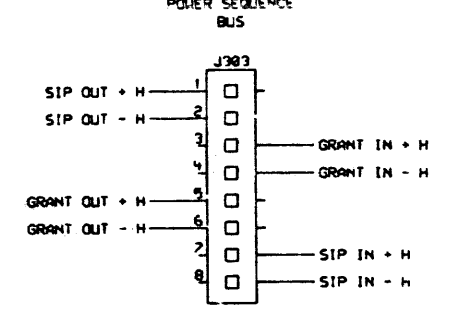
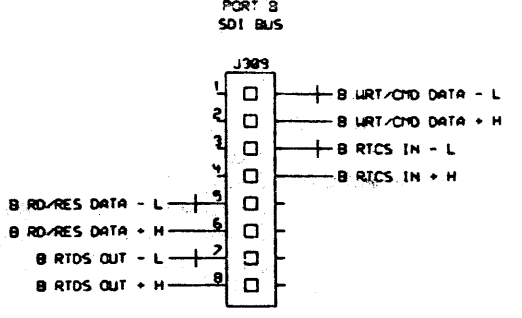
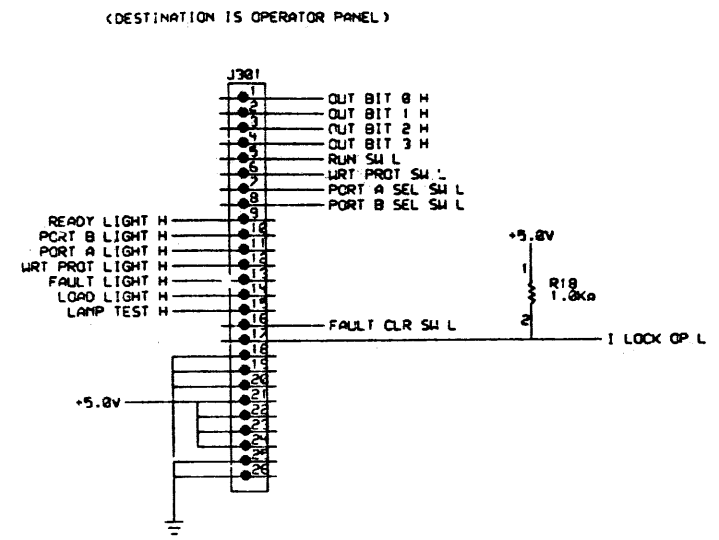
LINE ITEM	TOP DOCUMENT	PART NUMBER	MIN REV	DESCRIPTION	QTY PER VAR/REV	REFERENCE DESIGNATORS
					01 F2	
75	75	19-10230-00		74121 ONE SHOT	1	E1
76	76	19-10322-00	DEC	1488L DRIVER,LINE,QUAD,EIA	1	E61
77	77	19-10323-00	DEC	1489L RECEIVER,LINE,QUAD,E	1	E87
78	78	19-10406-00		75451 DRIVER,PERIPH,DUAL,A	2	E2,E59
79	79	19-10532-00		74S00 NAND GATE-QUAD 2IN	1	E69
80	80	19-10534-B0		74S04 BURNED-IN INVERTER G	5	E9,E76,E94,E104,E107
81	81	19-10544-B0		74S74 BURNED-IN FF-D DUAL,	9	E54,E57,E58,E72,E79,E88,E89, CONT E91,E93
82	82	19-10545-00		74S112 FF-JK DUAL,EDGE TRIG	2	E18,E78
83	83	19-10547-00		74S153 MUX 1 OF 4 (DUAL)	1	E74
84	84	19-10741-00		7406 INVERTER GATE-HEX 1I	1	E66
85	85	19-10957-00		74S175 FF-D QUAD COMMON CLO	1	E92
86	86	19-11036-00		75453 DRIVER,PERIPH,DUAL,O	1	E60
87	87	19-11399-00		10102 NOR GATE,QUAD 2IN	1	E131
88	88	19-11400-00		10103 OR GATE,QUAD 2IN	1	E132
89	89	19-11401-00		10104 AND GATE,QUAD 2IN	2	E122,E136
90	90	19-11402-00		10105 OR/NOR GATE,2-3-2	1	E148
91	91	19-11414-00		10124 TTL TO ECL TRNSLTR	5	E116,E121,E124,E128,E134
92	92	19-11415-00		10125 ECL TO TTL TRNSLTR	6	E102,E106,E114,E119,E126,E145
93	93	19-11416-00		10131 FF, DUAL D MSTR/SLAV	6	E123,E125,E133,E142,E143,E149
94	94	19-11419-00		10164 8 LINE MUX	1	E130
95	95	19-11712-00		74S51 AND-OR GATE-INVERT D	2	E77,E108
96	96	19-12096-00	DEC	74S86 XOR GATE,QUAD 2IN	1	E105
97	97	19-12388-00		74S02 NOR GATE-QUAD 2IN,PO	1	E13
98	98	19-12389-00		74S08 AND GATE-QUAD 2IN,PO	4	E29,E71,E80,E95
99	99	19-12792-00	DEC	7915 VOLT REG,FIX -15V	1	Q5
100	100	19-12799-B0		LS00 BURNED-IN NAND GATE-	2	E85,E103
101	101	19-12805-00		LS08 AND GATE-QUAD 2IN,PO	1	E37
102	102	19-12811-00		LS21 AND GATE-DUAL 4IN,PO	1	E26
103	103	19-12816-00		LS32 OR GATE-QUAD 2IN,POS	1	E45
104	104	19-12821-00		LS54 A-0-I GATE,3-2-2-3IN	1	E109
105	105	19-12824-00		LS74 FF-D DUAL,EDGE TRIGG	2	E35,E67
106	106	19-12837-00		LS123 ONE SHOT-DUAL,RETRIG	2	E28,E135
107	107	19-12842-00		LS138 DECODER-THREE INPUT,	4	E25,E47,E68,E96
108	108	19-12847-00		LS157 MUX 1 OF 2(QUAD)	1	E53
109	109	19-12849-00		LS161 COUNTER,SYNCHR,4BIT	2	E14,E15
110	110	19-12850-00		LS164 SHIFT REG. 8BIT SERI	5	E3,E33,E81,E82,E110
111	111	19-12853-00		LS175 FF-D QUAD	1	E30
112	112	19-12860-00		LS259 LATCH 8BIT	1	E73
113	113	19-12863-00		LS273 FF-D OCTAL W/CLEAR	1	E65
114	114	19-13009-00		4N36 OPTO COUPLED ISLTR	2	E42,E75
115	115	19-13220-00		10216 RECEIVER, TRIPLE LIN	1	E139
116	116	19-13340-00		74S32 OR GATE-QUAD 2IN	3	E17,E83,E84
117	117	19-13414-B0		LS14 BURNED-IN INVERTER G	5	E8,E11,E12,E146,E147
118	118	19-13462-00		74S240 OCTAL BUFFER,INVERTI	1	E90
119	119	19-13839-01		LS165 SHIFT REG.,8BIT	1	E62
120	120	19-14214-00		LS374 FF-D OCTAL EDGE TRIG	4	E32,E52,E64,E70
121	121	19-14451-00		LS393 COUNTER,BINARY,4BIT	2	E4,E5
122	122	19-14473-04		7815A VOLT REG,FIX +15V	1	Q1
123	123	19-15193-00		LS244 DRIVER,LINE,OCTAL,TR	5	E31,E34,E36,E46,E63

D	I	G	I	T	A	L	TITLE	SECTION A OF A	SIZE	CODE	DOCUMENT NUMBER	REV
							HYBRID		K	PL	5416190-0-DBPE	N

PARTS LIST

LINE ITEM	TOP DOCUMENT	PART NUMBER	MIN REV	DESCRIPTION	QTY PER VAR/REV	REFERENCE DESIGNATORS
					01 F2	
124	124	19-15218-00		LS245 TRANSCEIVER,BUS,OCTA	3	E20-E22
125	125	19-15219-00		LS373 FF-D OCTAL-TRANSPARE	2	E10,E44
126	126	19-16079-00		8253-5TIMER,PROGRAMMABLE I	1	E23
127	127	19-16551-00		7905.2VOLT REG,FIX -5.2V	1	Q7
128	128	19-16574-00		10114 RECEIVER,LINE,TRIPLE	2	E120,E144
129	129	19-18073-00	DC	703 400 GATE ARRAY	1	E99
130	130	19-18075-00	DC	705 400 GATE ARRAY	1	E98
131	131	19-18076-00	DC	706 400 GATE ARRAY	1	E97
132	132	19-18747-03		HYBRID,SDI ENCODER/D	2	E100,E101
133	133	19-18748-02		HYBRID,SDI/STI RECEI	2	E117,E118
134	134	19-19793-01		GATE ARRAY OPTIONAL	1	G1
135	135	19-20143-01		ENCODER/DECODER,ECL,	1	E140
136	136	21-13107-00		8251 USART FOR MOS N-CHAN	1	E24
137	137	21-14963-00		UP,8-BIT NMOS	1	E43
138	138	21-17872-01		RAM 2KX8 I/O MUXD 20	1	E51
139	139	23-65K5 -00	K5-03	PAL,OCTAL	1	E112
140	140	23-166K5-00	K5-03	PAL,OCTAL,REG	1	E113
141	141	23-368A1-00	A1-07		1	E27
142	142	23-646A2-00	A2-05		1	E16
143	143	90-09185-00		JUMPER, WIRE, INSULATED, BLACK B	4	W1,W3,W6,W17
144	144	49-01598-01		ADHESIVE,EPOXY	A/R	
145	145	90-06010-01		SCREW,MACH PAN PHIL 4-	3	
146	146	90-06557-00		NUT,HEX EXT TOOTH LCKWSHR 4-40	3	
147	147	90-08172-00		WASHER,FLAT SST	3	
148	148	12-20930-03		HEAT SINK,40PIN DIP 2.00X00.53	1	
149	149	12-15006-07		SKT,IC 28PIN DIP TIN SOLD	3	XE48-XE50
150	150	12-15006-02		*** THIS ITEM IS NOT USED ***	-	
151	151	90-09149-01		PIN,STAKNG 0.0250DX0.345LG SQUAR	1	TP11
152	152	90-09217-00		POST, WIRE WRAP	1	TP14
153	153	12-15006-20		SKT,IC 48PIN DIP TIN SOLD	3	XE97-XE99
154	154	91-05740-55		WIRE(WRAP) 30AWG KYNAR UL14	A/R	
155	155	90-09898-00		TRANSIPAD, 4 HOLE	2	
156	156	23-467E4-00		E4-06	1	E48
157	157	23-468E4-00		E4-06	1	E49
158	158	23-469E4-00		E4-06	1	E50
159	159	13-02941-00		14.70 K .25 W 1.0 % RN55D-F10	1	R94

D	I	G	I	T	A	L	TITLE	SECTION A OF A	SIZE	CODE	DOCUMENT NUMBER	REV
							HYBRID		K	PL	5416190-0-DBPE	N



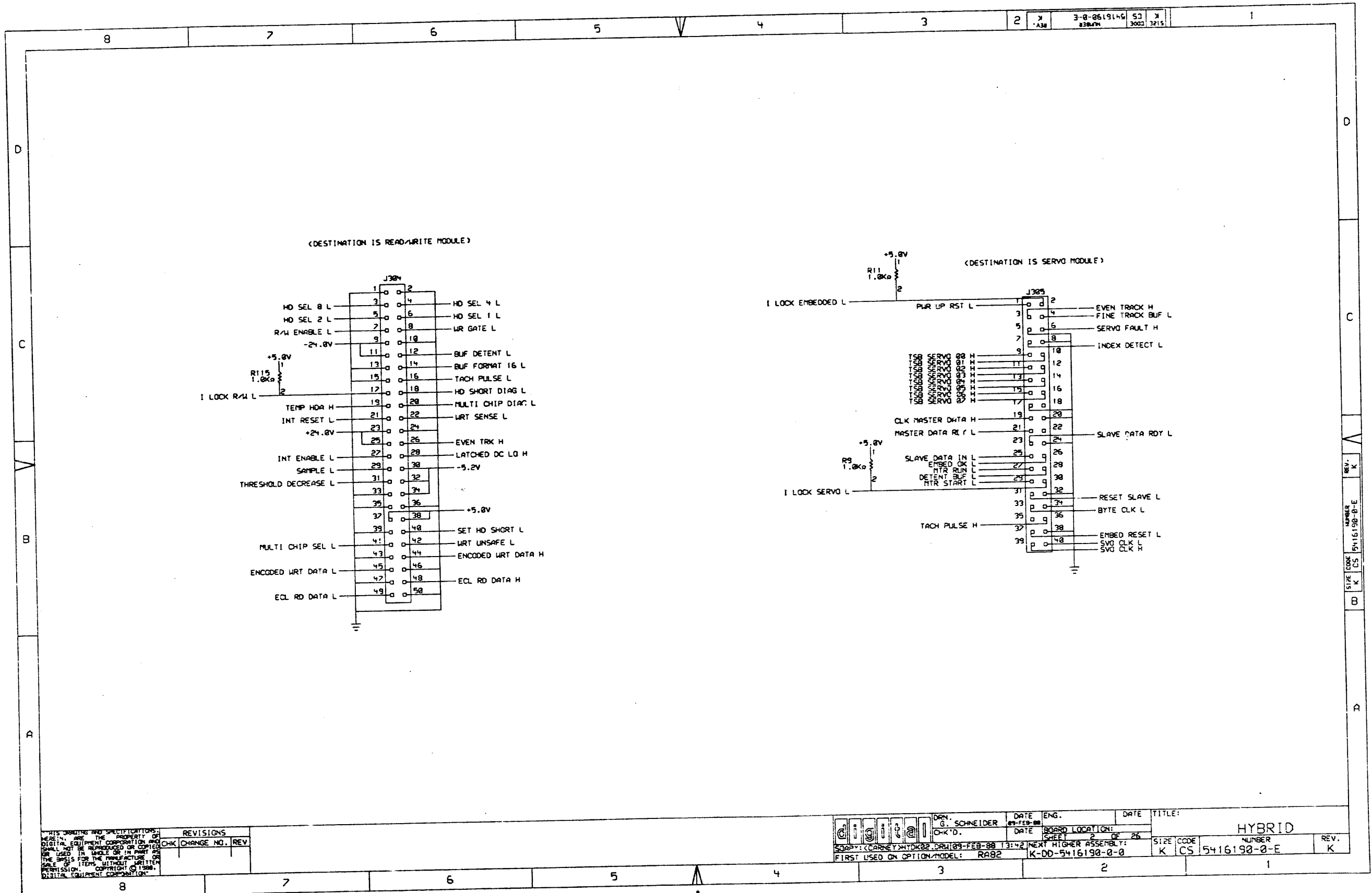
NOTE: UNLESS OTHERWISE SPECIFIED:
ALL RESISTORS ARE 1/4W, 5%.
ALL CAPACITORS ARE 50V, 5%.

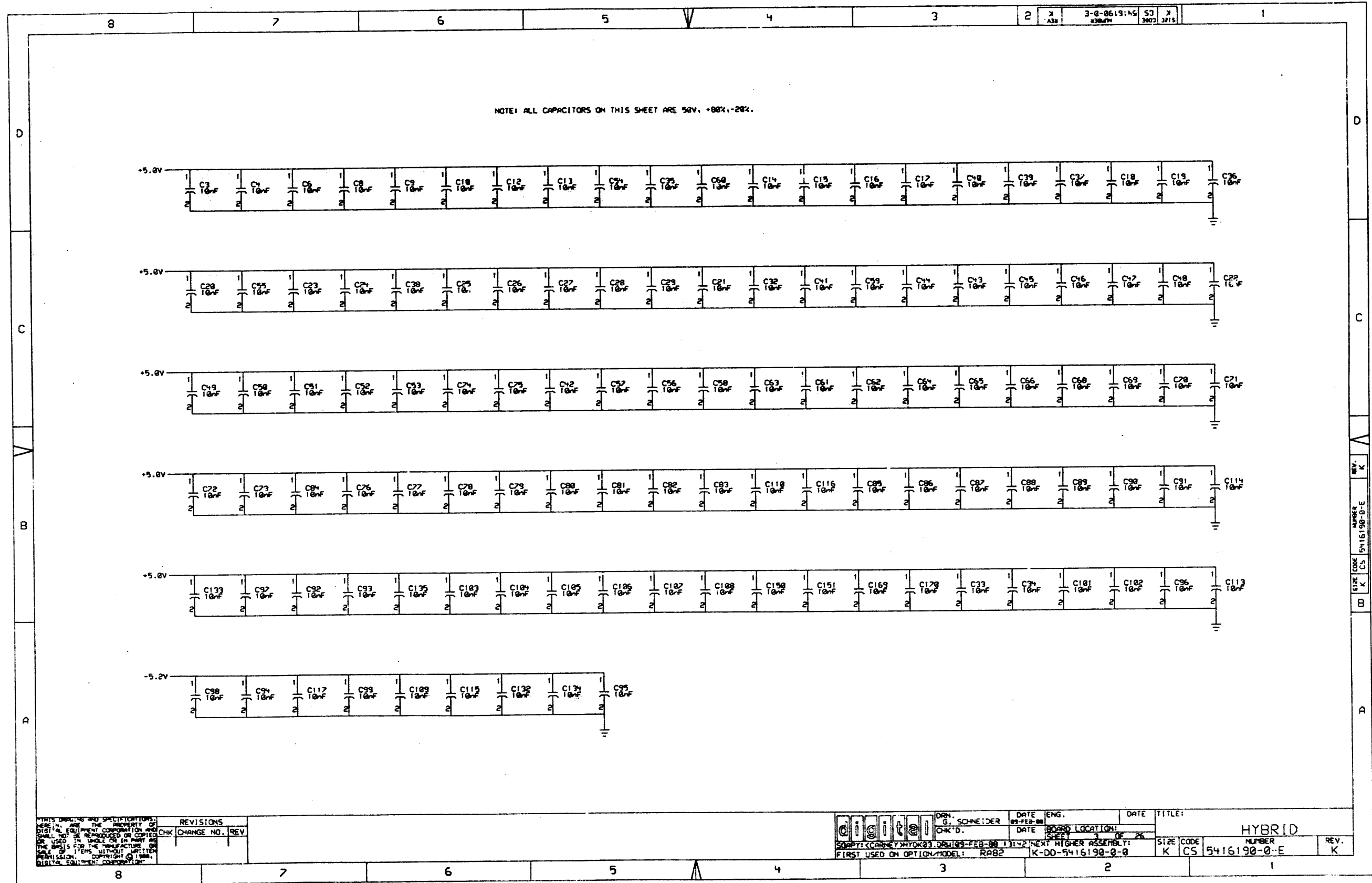
THIS DRAWING AND SPECIFICATIONS ARE THE PROPERTY OF DIGITAL EQUIPMENT CORPORATION AND SHALL NOT BE REPRODUCED OR COPIED IN ANY MANNER OR IN PART AS A BASIS FOR THE MANUFACTURE OR SALE OF ITEMS WITHOUT WRITTEN PERMISSION OF DIGITAL EQUIPMENT CORPORATION.

REVISIONS	
CHK	CHANGE NO. REV
0009	5416190 - C4010 K

DRN. G. SCHNEIDER	DATE 09-FEB-80	DATE 17-FEB-80	TITLE: HYBRID
SCAPYI(CARNEY)HYOKAT	DATE 17-FEB-80	DATE 17-FEB-80	DATE 17-FEB-80
FIRST USED ON OPTION/MODEL: RAB2	DATE 17-FEB-80	DATE 17-FEB-80	DATE 17-FEB-80

SIZE	CODE	NUMBER	REV.
K	CS	5416190-0-E	K

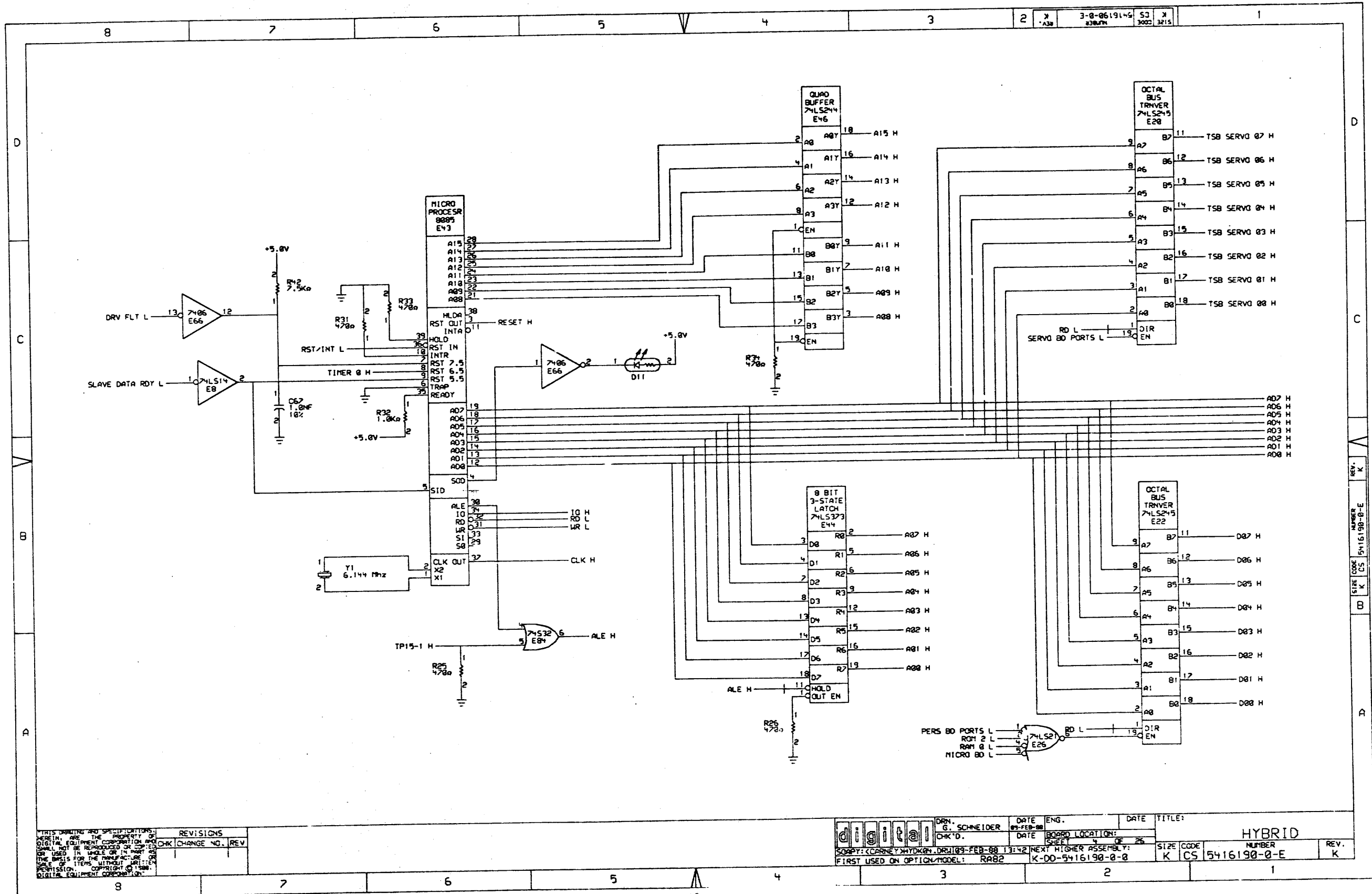




THIS DRAWING AND SPECIFICATIONS ARE THE PROPERTY OF DIGITAL EQUIPMENT CORPORATION AND SHALL NOT BE REPRODUCED OR COPIED OR USED IN WHOLE OR IN PART AS THE BASIS FOR THE MANUFACTURE OR SALE OF ITEMS WITHOUT WRITTEN PERMISSION. COPYRIGHT © 1988, DIGITAL EQUIPMENT CORPORATION.

REVISIONS	
CHK	CHANGE NO. REV

digital	ORG. G. SCHNEIDER	DATE 09-FEB-88	ENG.	DATE	TITLE: HYBRID
	CHK'D.	DATE 09-FEB-88	BOARD LOCATION: 26		
FIRST USED ON OPTION/MODEL: RAB2		NEXT HIGHER ASSEMBLY: K-DD-5416190-0-0		SIZE CODE: K CS	NUMBER: 5416190-0-E
				REV. K	

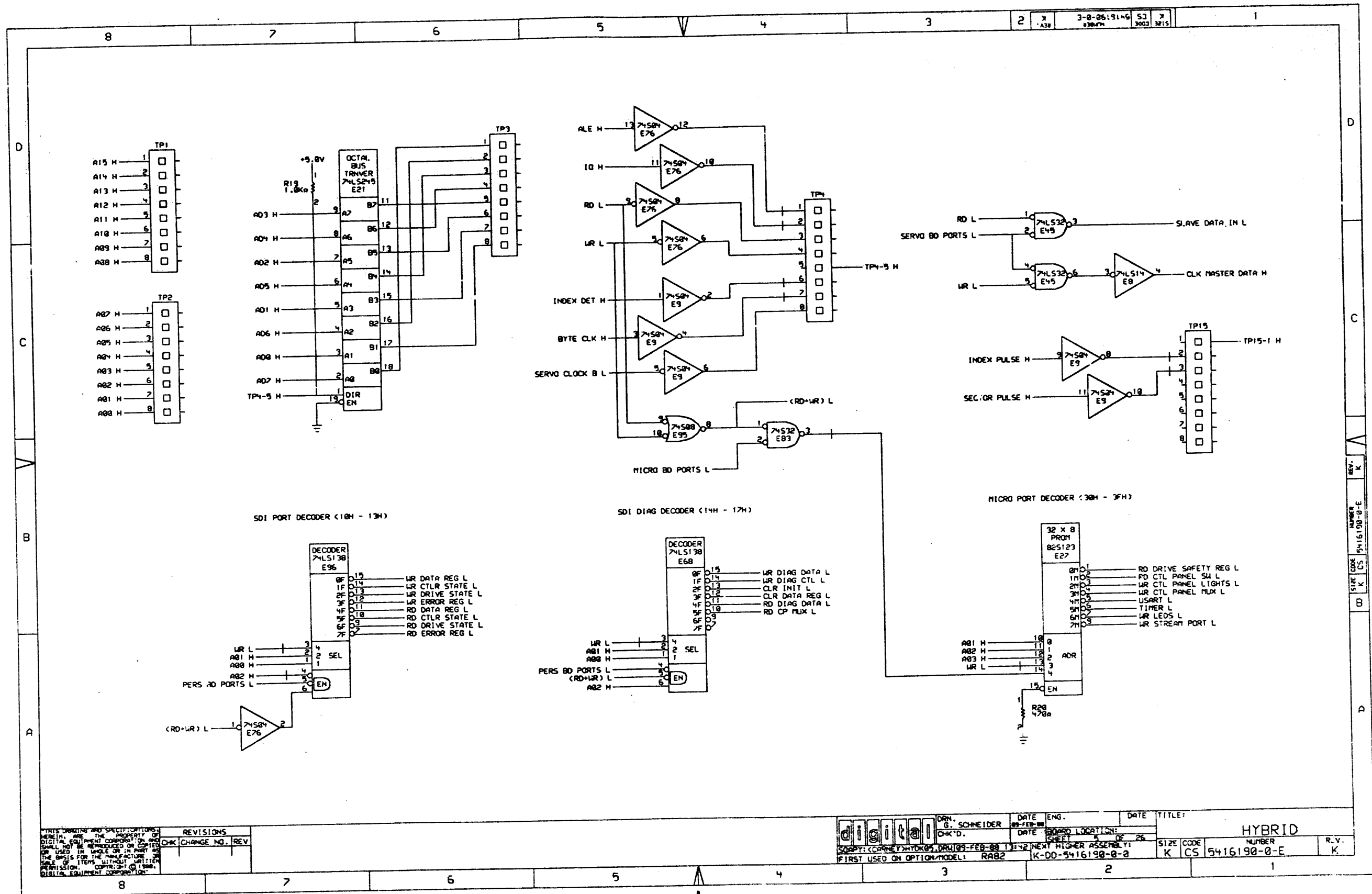


THIS DRAWING AND SPECIFICATIONS ARE THE PROPERTY OF DIGITAL EQUIPMENT CORPORATION AND SHALL NOT BE REPRODUCED OR COPIED OR USED IN WHOLE OR IN PART AS THE BASIS FOR THE MANUFACTURE OR SALE OF ITEMS WITHOUT WRITTEN PERMISSION. COPYRIGHT © 1984, DIGITAL EQUIPMENT CORPORATION.

CHK	CHANGE NO.	REV.

digital	DRN.	G. SCHNEIDER	DATE	09-FEB-88	ENG.		DATE		TITLE:
	CHK'D.		DATE		BOARD LOCATION:				HYBRID
COPY: KORNBY HYDROB. DRW 89-FEB-88 13:42		NEXT HIGHER ASSEMBLY:		SIZE		CODE	NUMBER	REV.	
FIRST USED ON OPTION/MODEL: RAB2		K-00-5416190-0-0		K		CS	5416190-0-E	K	

REV. K
NUMBER 5416190-0-E
SIZE CODE CS
CD K

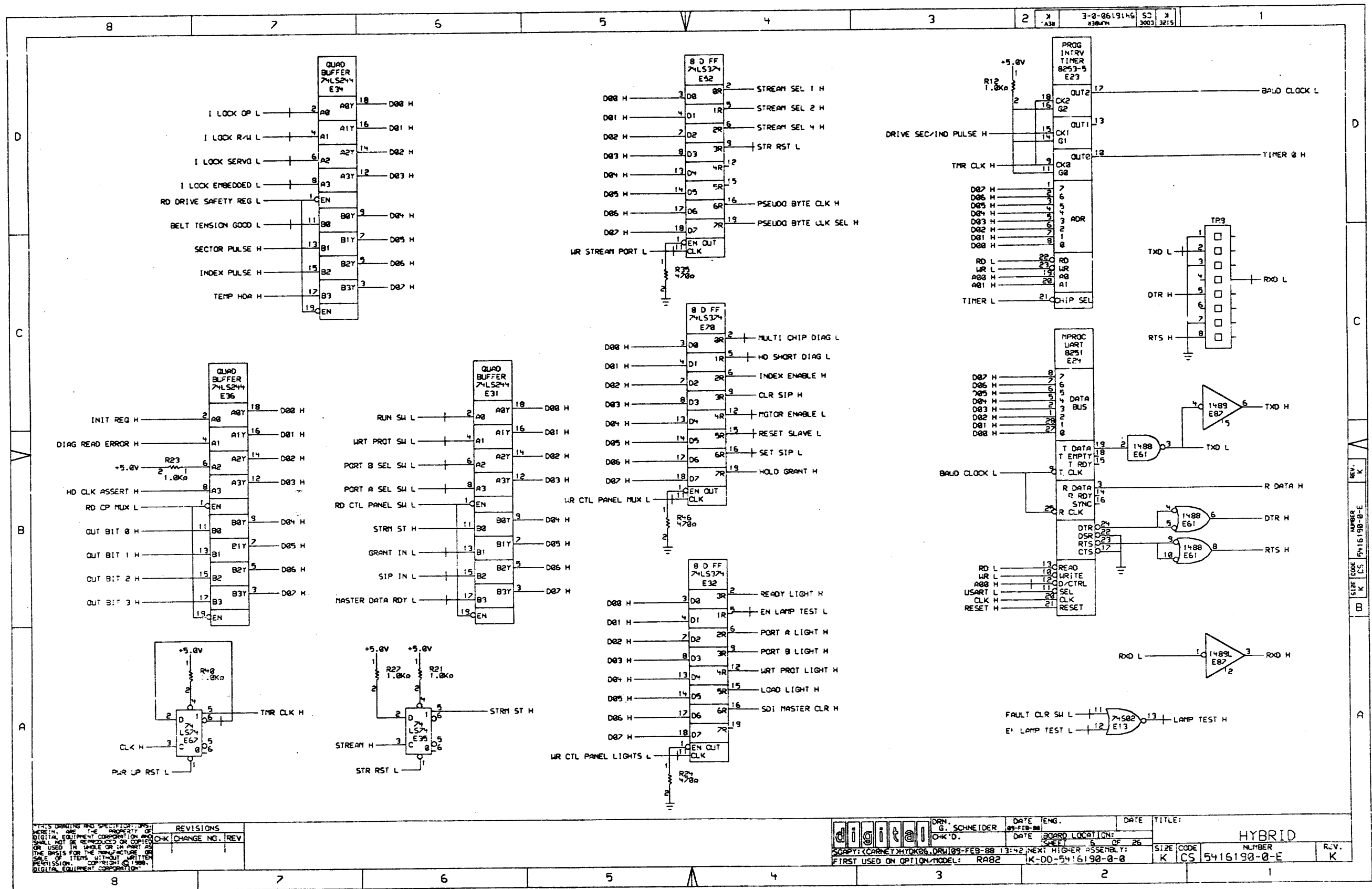


THIS DRAWING AND SPECIFICATIONS ARE THE PROPERTY OF DIGITAL EQUIPMENT CORPORATION AND SHALL NOT BE REPRODUCED OR COPIED OR USED IN WHOLE OR IN PART AS THE BASIS FOR THE MANUFACTURE OF ANY ITEMS WITHOUT WRITTEN PERMISSION. COPYRIGHT © 1988, DIGITAL EQUIPMENT CORPORATION.

REV	CHG	NO.	REV

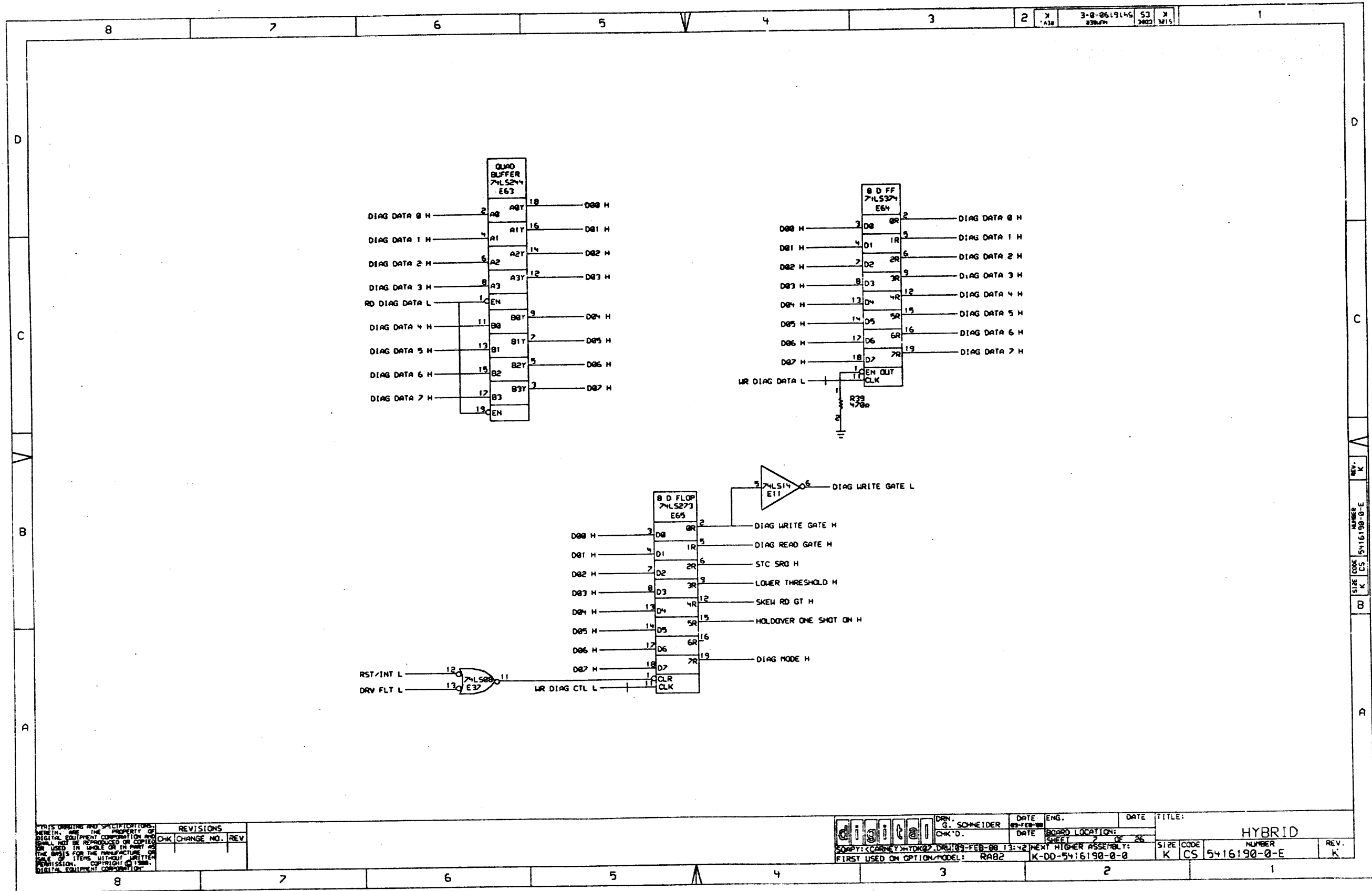
DRW.	DATE	ENG.	DATE	TITLE:
G. SCHNEIDER	03-FEB-88			HYBRID
CHK'D.				
COPY: CORNELL UNIVERSITY, DRAWING-FEB-88 13142 NEXT HIGHER ASSEMBLY:				
FIRST USED ON OPTION/MODEL: RAB2				

SIZE	CODE	NUMBER	R.V.
K	CS	5416190-0-E	K



REV.	CHG.	NO.	REV.

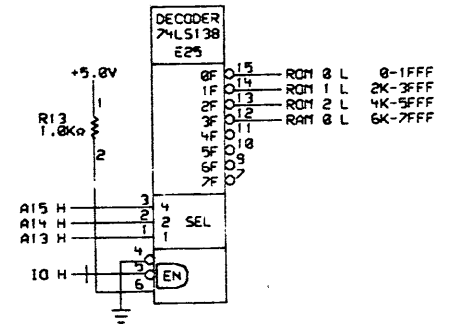
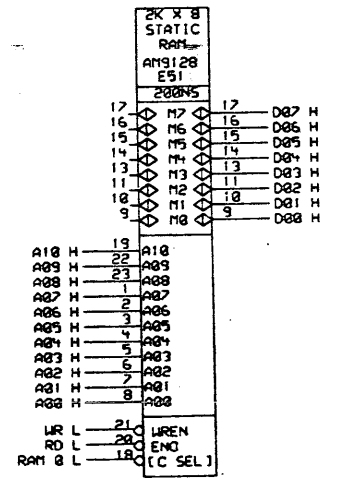
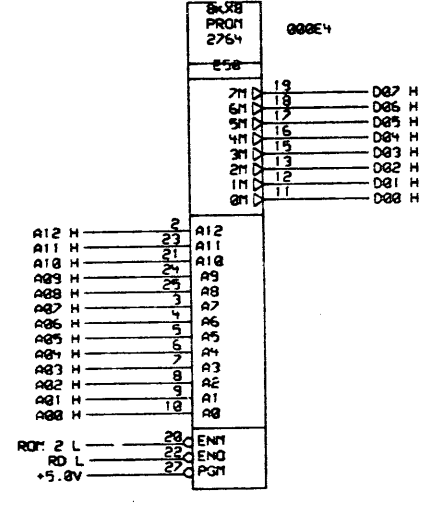
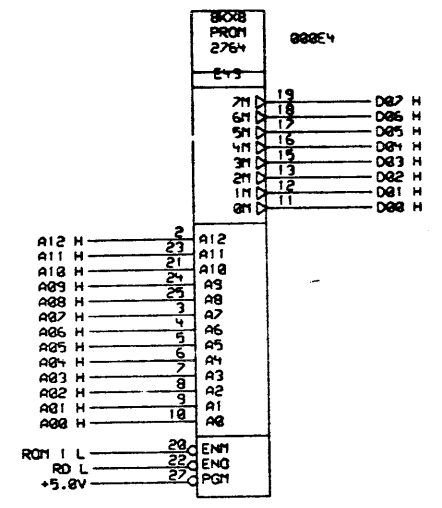
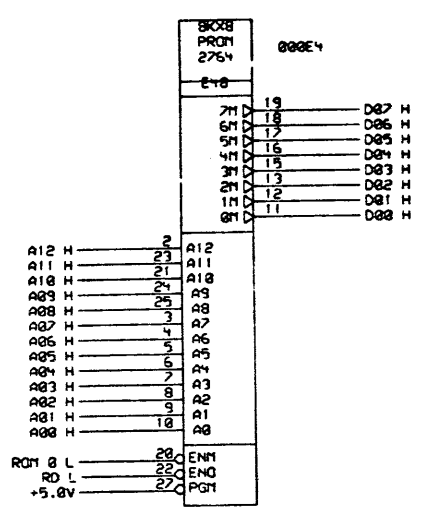
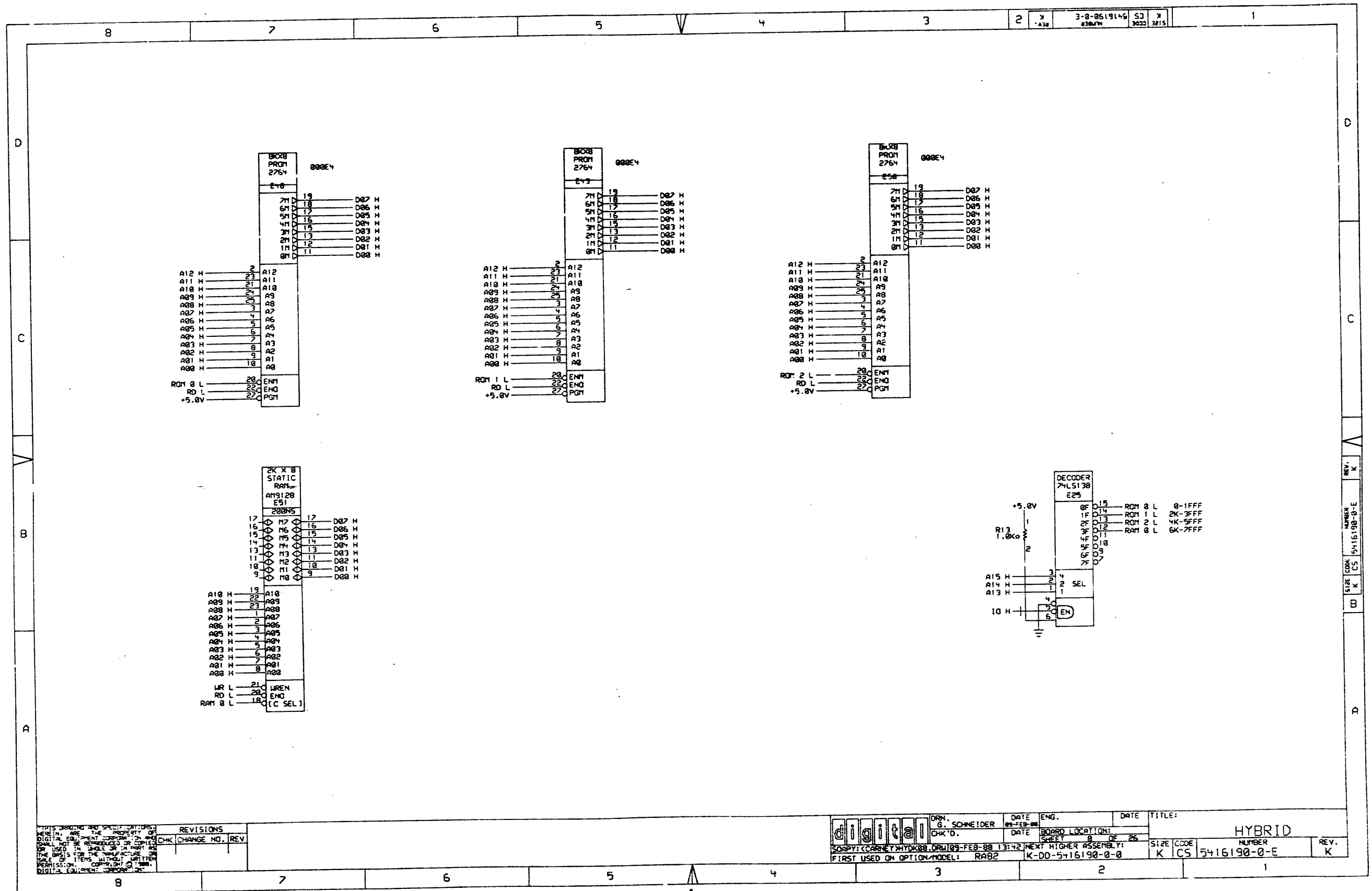
	DRN. G. SCHNEIDER	DATE 09-FEB-88	ENG.	DATE	TITLE: HYBRID
	CHK'D.	DATE	BOARD LOCATION:	SHEET 5 OF 26	SIZE CODE K CS
SCAPT: CORNELL MTKS. DRN 09-FEB-88 13:42 NEXT HIGHER ASSEMBLY: RAB2		FIRST USED ON OPTION/MODEL: RAB2		NUMBER 5416190-0-E	
K-00-5416190-0-0					R.C.V. K



THIS DRAWING AND SPECIFICATIONS HERETO, ARE THE PROPERTY OF DIGITAL EQUIPMENT CORPORATION AND SHALL NOT BE REPRODUCED OR COPIED OR USED IN WHOLE OR IN PART AS THE BASIS FOR THE MANUFACTURE OF ANY ITEM, WITHOUT WRITTEN PERMISSION. COPYRIGHT © 1988, DIGITAL EQUIPMENT CORPORATION.

REVISIONS		
CHK	CHANGE NO.	REV

	DRN. G. SCHNEIDER	DATE 02-FEB-88	ENG.	DATE	TITLE:
	CHK'D.	DATE	BOARD LOCATION:	SHEET 26	HYBRID
COPY: (CARNY)HTDGD7.DRW189-FEB-88 13:42			NEXT HIGHER ASSEMBLY:		SIZE CODE
FIRST USED ON OPTION MODEL: RAB2			K-00-5416190-0-0		K CS 5416190-0-E
					NUMBER
					REV. K



ALL RIGHTS RESERVED. THIS DRAWING AND SPECIFICATIONS ARE THE PROPERTY OF DIGITAL EQUIPMENT CORPORATION AND SHALL NOT BE REPRODUCED OR COPIED OR USED IN WHOLE OR IN PART AS THE BASIS FOR THE MANUFACTURE OR SALE OF ITEMS WITHOUT WRITTEN PERMISSION. COPYRIGHT © 1988 DIGITAL EQUIPMENT CORPORATION.

CHK	CHANGE NO.	REV

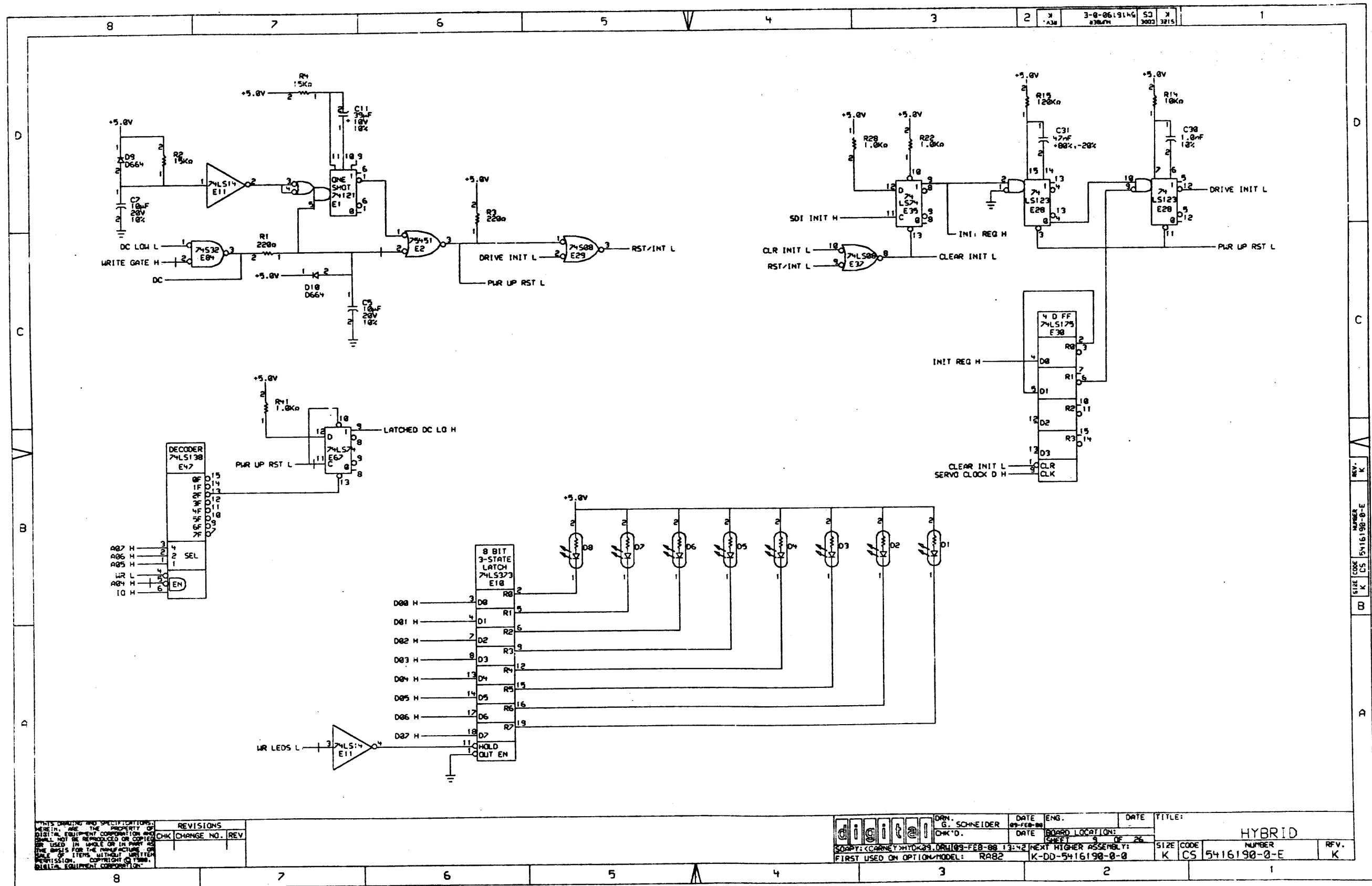
REVISIONS	DATE	ENG.	DATE	ENG.

digital ORN. G. SCHNEIDER DATE FEB-88 ENG. DATE FEB-88 SHEET 8 OF 26 TITLE: HYBRID

SOCPY: CARRY HYDK88_ORN109-FEB-88 13:42 NEXT HIGHER ASSEMBLY: K-DO-5+16190-0-0

FIRST USED ON OPTION/MODEL: RAB2

SIZE CODE NUMBER REV. K CS 5416190-0-E K



THESE DRAWINGS AND SPECIFICATIONS ARE THE PROPERTY OF DIGITAL EQUIPMENT CORPORATION AND SHALL NOT BE REPRODUCED OR COPIED OR USED IN WHOLE OR IN PART AS THE BASIS FOR THE MANUFACTURE OF ANY ITEMS WITHOUT WRITTEN PERMISSION. COPYRIGHT © 1988, DIGITAL EQUIPMENT CORPORATION.

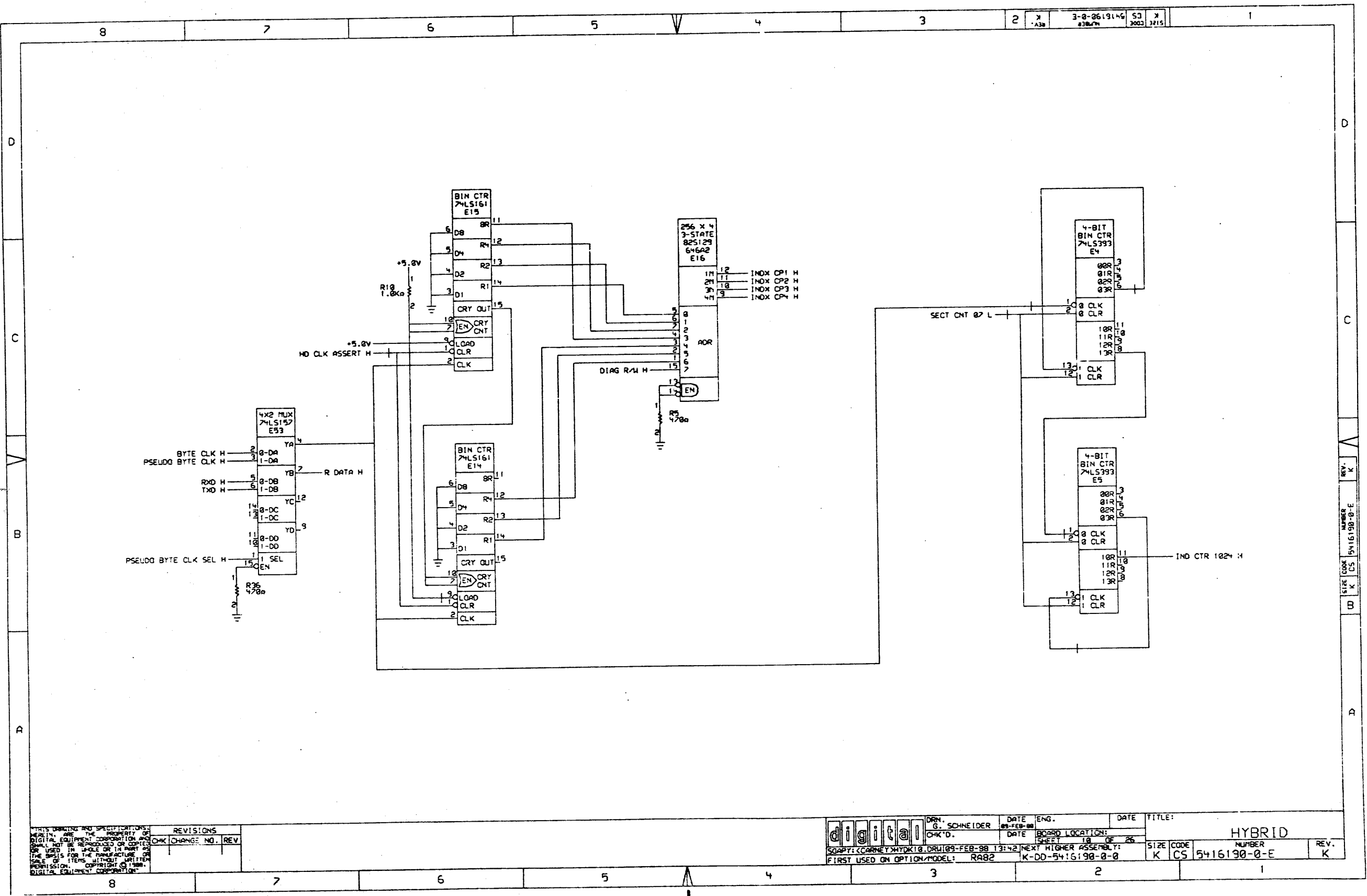
REVISIONS	
CHK	CHANGE NO. REV

DATE	ENG.	DATE	TITLE:
09-FEB-88	G. SCHNEIDER		HYBRID
	CHK'D.		

SOA: (CANNY) HY00039 DALL 09-FEB-88 13:42 NEXT HIGHER ASSEMBLY: K-DD-5416190-0-0
 FIRST USED ON OPTION MODEL: RA82

SIZE	CODE	NUMBER	REV.
K	CS	5416190-0-E	K

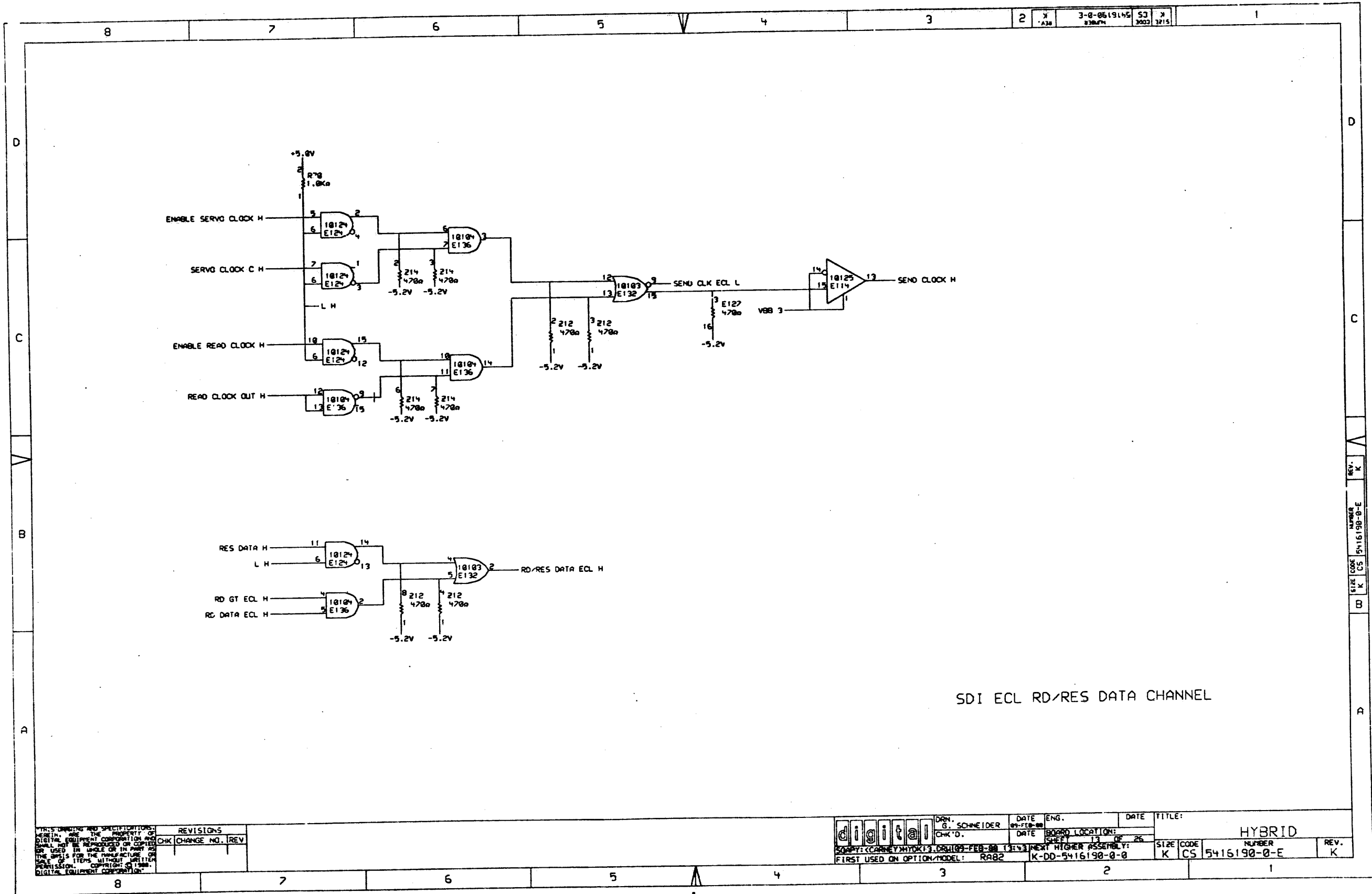
DATE	BOARD LOCATION:	SHEET	OF



THIS DRAWING AND SPECIFICATIONS
HEREIN ARE THE PROPERTY OF
DIGITAL EQUIPMENT CORPORATION AND
SHALL NOT BE REPRODUCED OR COPIED
OR USED IN WHOLE OR IN PART AS
THE BASIS FOR THE MANUFACTURE OR
SALE OF ITEMS WITHOUT WRITTEN
PERMISSION. COPYRIGHT © 1988
DIGITAL EQUIPMENT CORPORATION.

REVISIONS	
CHK	CHANGE NO. REV

	DRAWN: G. SCHNEIDER	DATE: 05-FEB-88	ENG.	DATE:	TITLE: HYBRID
	CHK'D:	DATE:	BOARD LOCATION:	SHEET 18 OF 26	SIZE CODE: K CS
COPYRIGHT © 1988 DIGITAL EQUIPMENT CORPORATION		NEXT HIGHER ASSEMBLY: K-DD-5415198-0-0		NUMBER: 5416190-0-E	
FIRST USED ON OPTION/MODEL: RAB2		K-DD-5415198-0-0		REV. K	



SDI ECL RD/RES DATA CHANNEL

THIS DRAWING AND SPECIFICATIONS ARE THE PROPERTY OF DIGITAL EQUIPMENT CORPORATION AND SHALL NOT BE REPRODUCED OR COPIED OR USED IN WHOLE OR IN PART OR THE BASIS FOR THE MANUFACTURE OR SALE OF ITEMS WITHOUT WRITTEN PERMISSION. COPYRIGHT © 1988, DIGITAL EQUIPMENT CORPORATION.

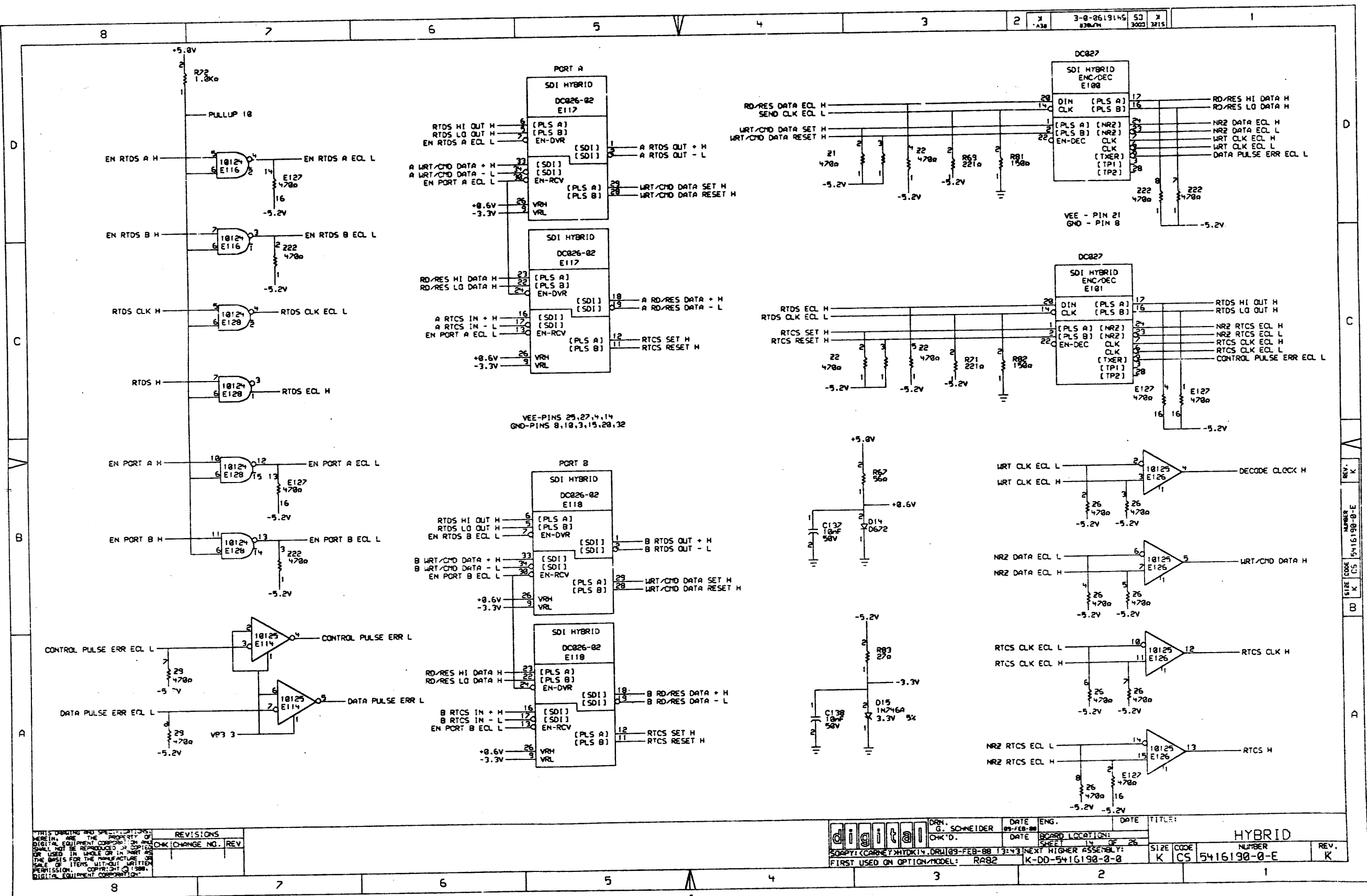
REVISIONS	
CHK	CHANGE NO. REV

digital

DRN. G. SCHNEIDER DATE 09-FEB-88
 CHK'D. DATE 13 OF 26
 BOARD LOCATION:
 NEXT HIGHER ASSEMBLY:
 FIRST USED ON OPTION/MODEL: RA82 K-DD-5416190-0-0

TITLE: HYBRID
 NUMBER 5416190-0-E
 REV. K

REV. K
 NUMBER 5416190-0-E
 SIZE CODE CS
 CD K



THIS DRAWING AND SPECIFICATIONS HEREIN ARE THE PROPERTY OF DIGITAL EQUIPMENT CORPORATION AND SHALL NOT BE REPRODUCED OR COPIED OR USED IN WHOLE OR IN PART AS THE BASIS FOR THE MANUFACTURE OR SALE OF ITEMS WITHOUT WRITTEN PERMISSION. COPYRIGHT © 1988, DIGITAL EQUIPMENT CORPORATION.

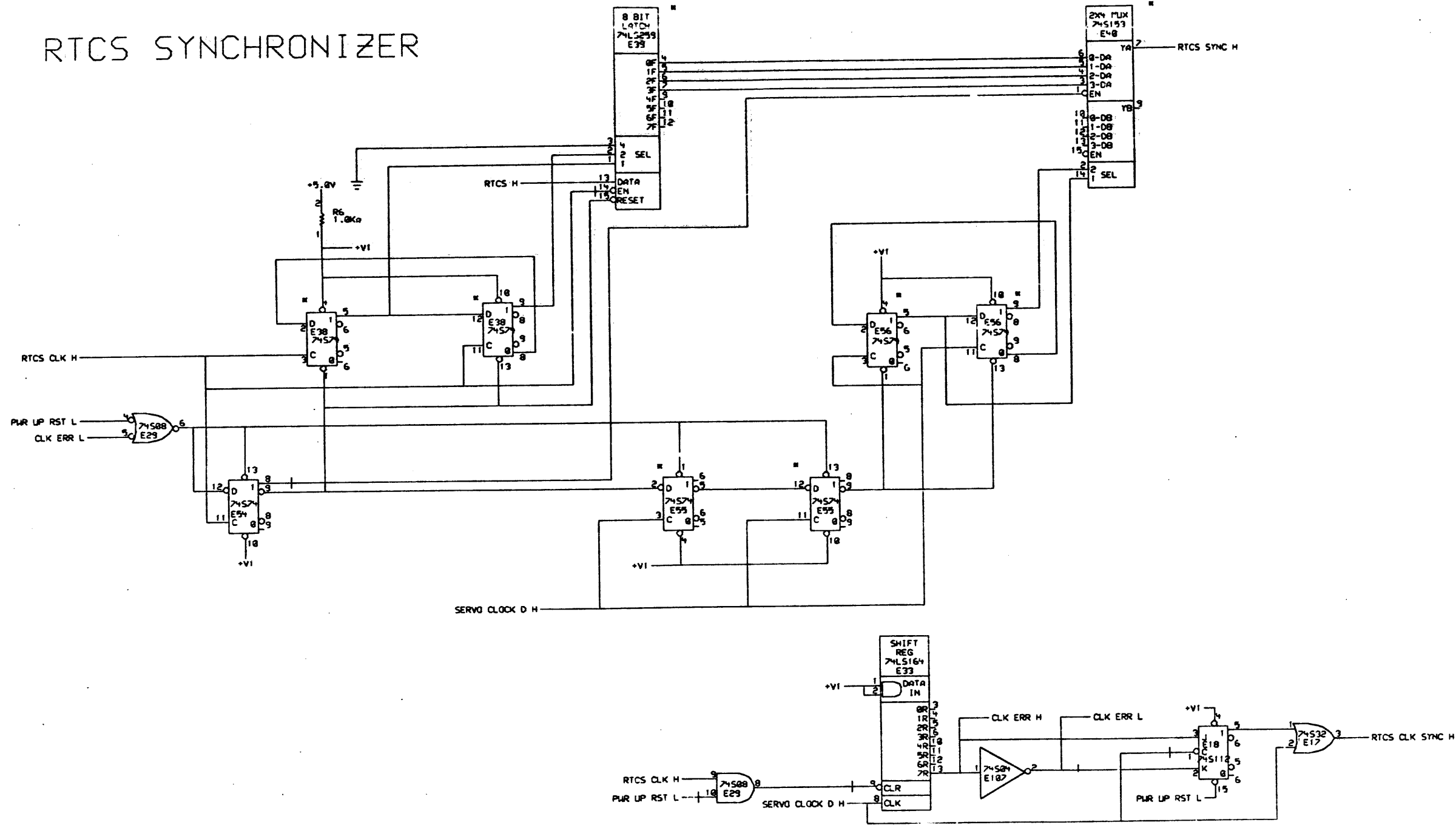
REVISIONS	CHK	CHANGE NO.	REV.

digital
 DON. G. SCHNEIDER
 DATE 09-FEB-88
 ENG. DATE 14 OF 26
 SHEET 14 OF 26
 BOARD LOCATION: 14 OF 26
 NEXT HIGHER ASSEMBLY: 14 OF 26
 FIRST USED ON OPTION/MODEL: RA82 K-DD-5416190-0-0

SIZE	CODE	NUMBER	REV.
K	CS	5416190-0-E	K

REV. K
 SIZE CODE NUMBER
 K CS 5416190-0-E

RTCS SYNCHRONIZER

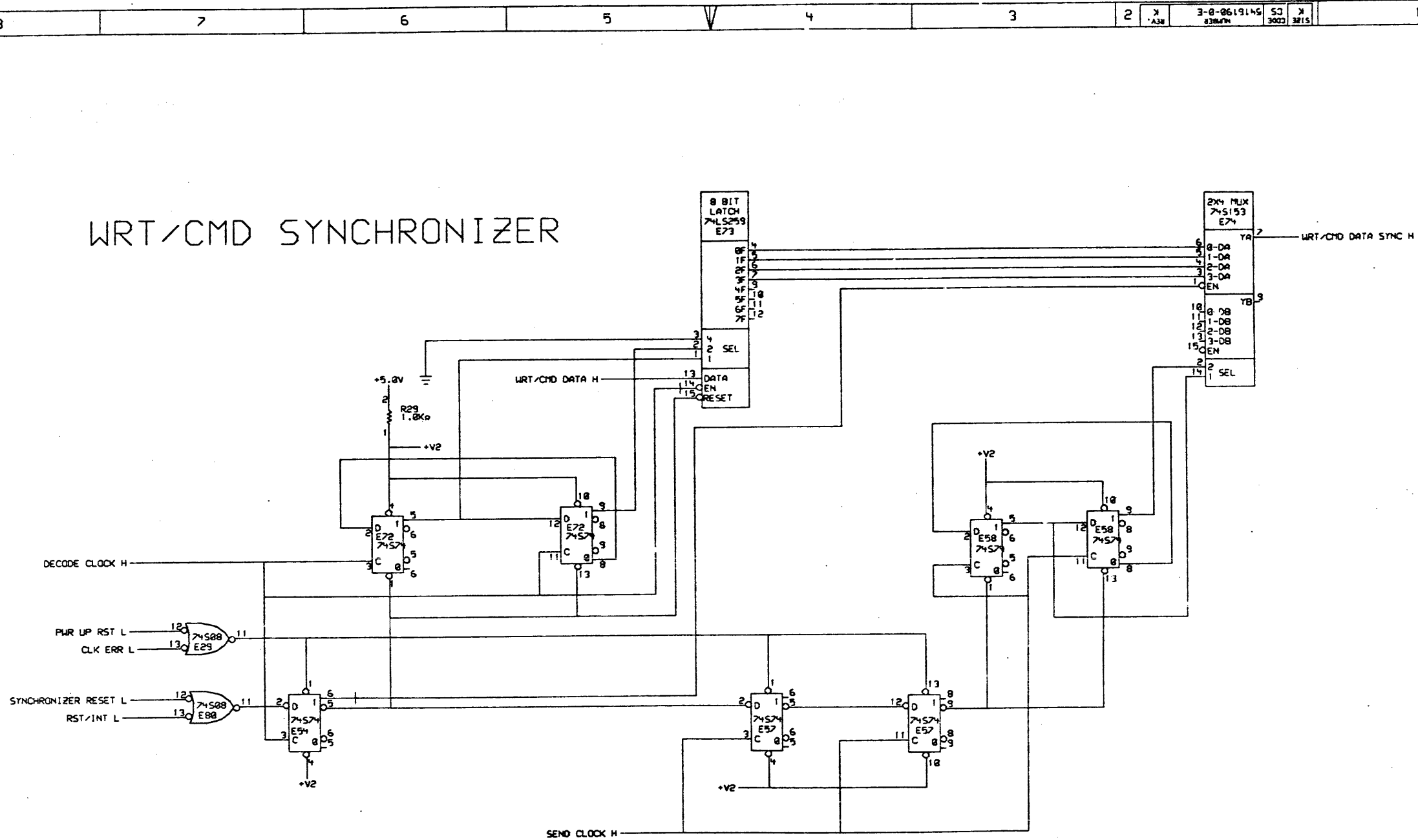


THIS DRAWING AND SPECIFICATIONS ARE THE PROPERTY OF DIGITAL EQUIPMENT CORPORATION AND SHALL NOT BE REPRODUCED OR COPIED IN ANY MANNER OR BY ANY MEANS FOR THE REPRODUCTION OF ANY PARTS THEREOF WITHOUT WRITTEN PERMISSION. © 1988, DIGITAL EQUIPMENT CORPORATION.

REVISIONS		
CHK	CHANGE NO.	REV.

DRN. G. SCHNEIDER	DATE 09-FEB-88	ENG.	DATE	TITLE: HYBRID
CHK'D.	DATE	BOARD LOCATION: 15 OF 26	SIZE CODE K CS	NUMBER 5416190-0-E
COPY: CCARDY:HYDK15.DRW:09-FEB-88 13:43		NEXT HIGHER ASSEMBLY: K-00-5416190-0-0		REV. K
FIRST USED ON OPTION/MODEL: RAB2				

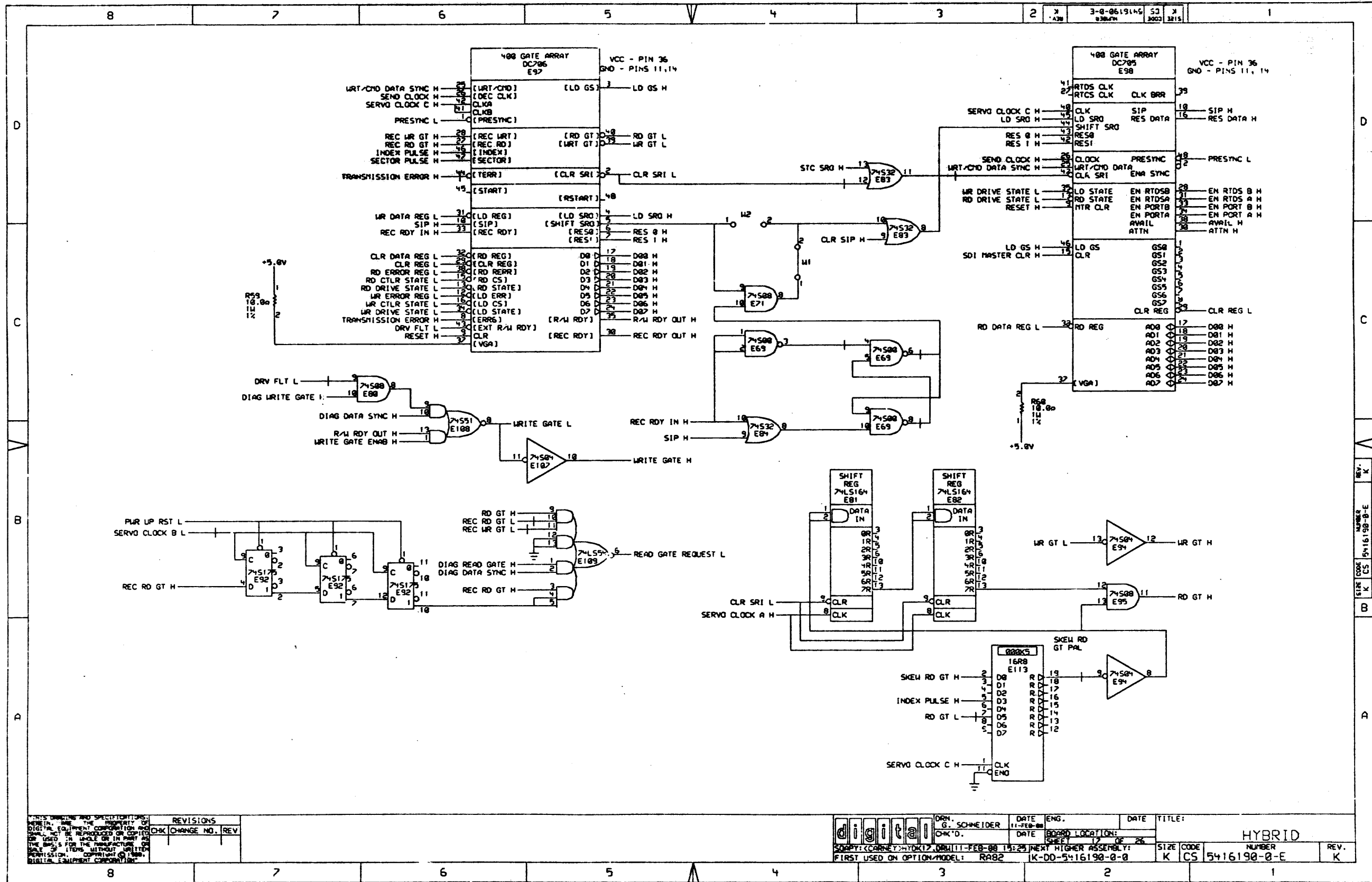
WRT/CMD SYNCHRONIZER



ALL DIMENSIONS AND SPECIFICATIONS HEREIN ARE THE PROPERTY OF DIGITAL EQUIPMENT CORPORATION AND SHALL NOT BE REPRODUCED OR COPIED OR USED IN WHOLE OR IN PART FOR THE PURPOSES OF THE MANUFACTURE OR SALE OF ITEMS WITHOUT WRITTEN PERMISSION. COPYRIGHT © 1988, DIGITAL EQUIPMENT CORPORATION.

REVISIONS		
CHK	CHANGE NO.	REV.

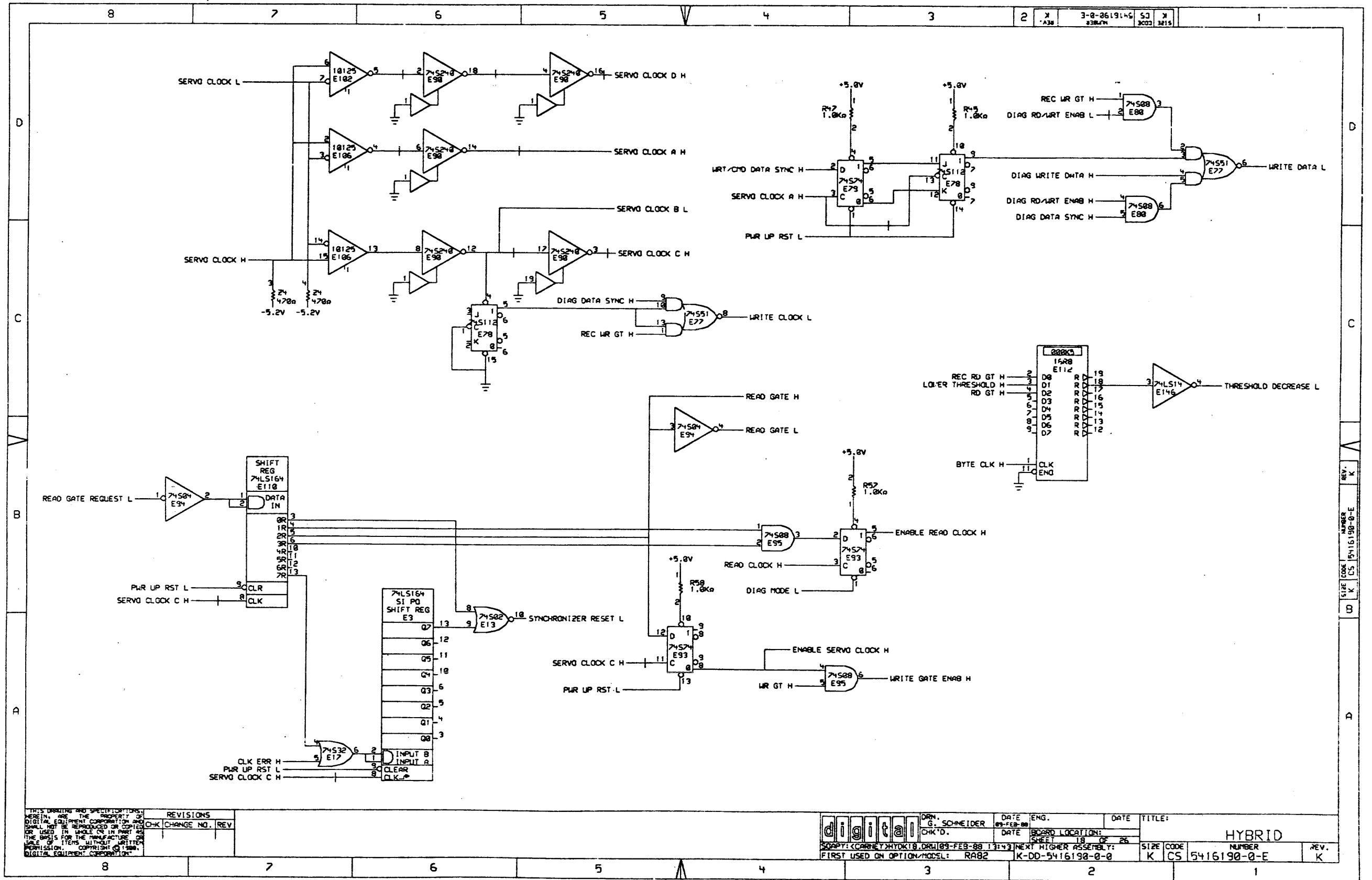
	DRN. S. SCHNEIDER	DATE 09-FEB-88	ENG.	DATE	TITLE:
	CHK'D.	DATE	BOARD LOCATION:	SHEET 15 OF 26	HYBRID
FIRST USED ON OPTION MODEL: RAB2		NEXT HIGHER ASSEMBLY: K-00-5416190-0-E		SIZE CODE K CS	NUMBER 5416190-0-E
					REV. K



THIS DRAWING AND SPECIFICATIONS ARE THE PROPERTY OF DIGITAL EQUIPMENT CORPORATION AND SHALL NOT BE REPRODUCED OR COPIED OR USED IN WHOLE OR IN PART AS THE BASIS FOR THE MANUFACTURE OR SALE OF ITEMS WITHOUT WRITTEN PERMISSION. COPYRIGHT © 1988, DIGITAL EQUIPMENT CORPORATION.

REVISIONS	
CHK	CHANGE NO. REV

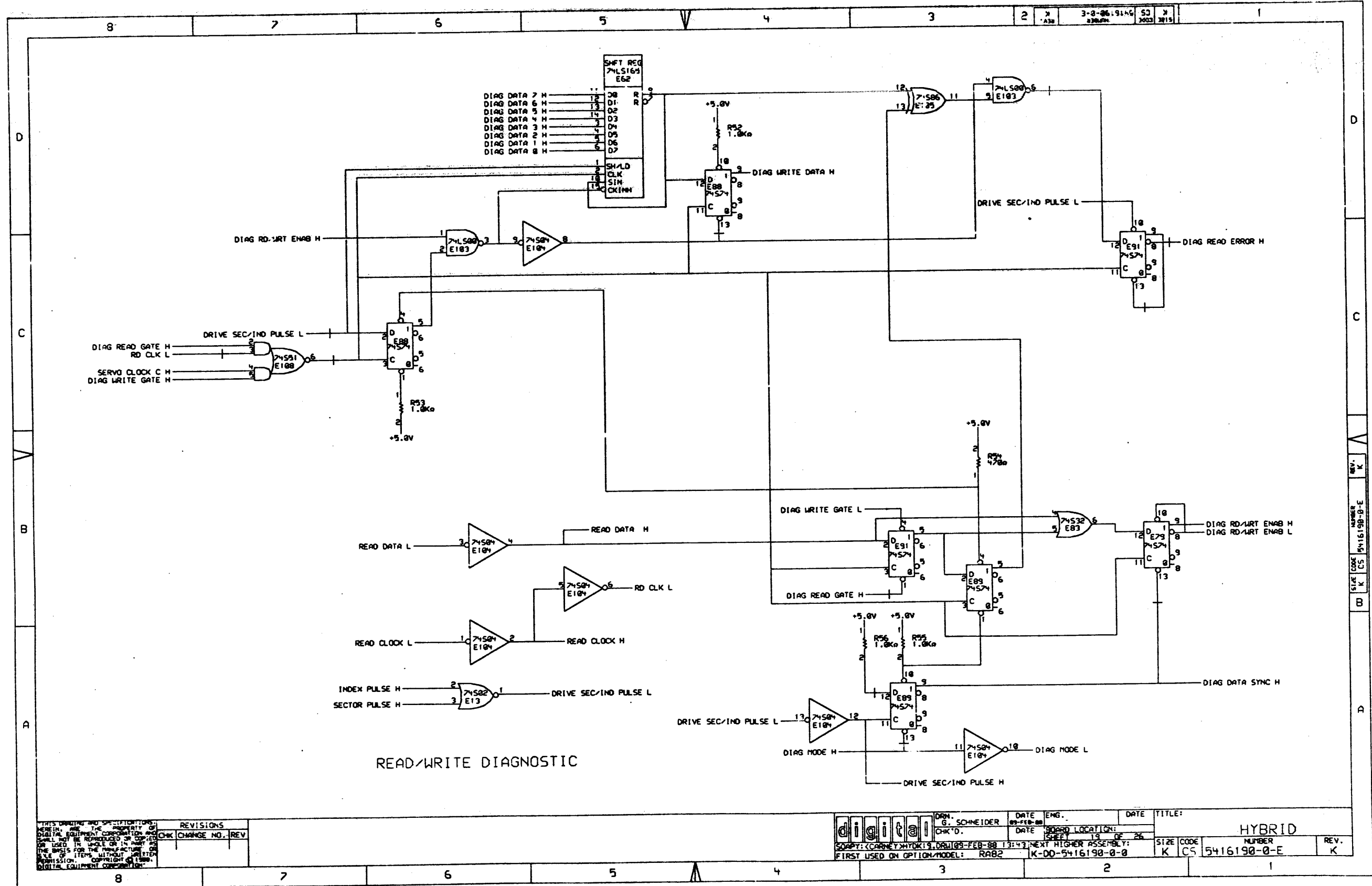
	DRAWN BY: G. SCHNEIDER	DATE: 11-FEB-88	ENG.	DATE	TITLE:
	CHK'D BY:	DATE:	BOARD LOCATION:	SHEET 17 OF 26	HYBRID
FIRST USED ON OPTION MODEL: RAB2		NEXT HIGHER ASSEMBLY: K-DD-5416190-0-0		SIZE CODE: K CS	NUMBER: 5416190-0-E
					REV. K



THIS DRAWING AND SPECIFICATIONS ARE THE PROPERTY OF DIGITAL EQUIPMENT CORPORATION AND SHALL NOT BE REPRODUCED OR COPIED OR USED IN WHOLE OR IN PART AS THE BASIS FOR THE MANUFACTURE OR SALE OF ITEMS WITHOUT WRITTEN PERMISSION. COPYRIGHT © 1988, DIGITAL EQUIPMENT CORPORATION.

REVISIONS	
CHK	CHANGE NO., REV

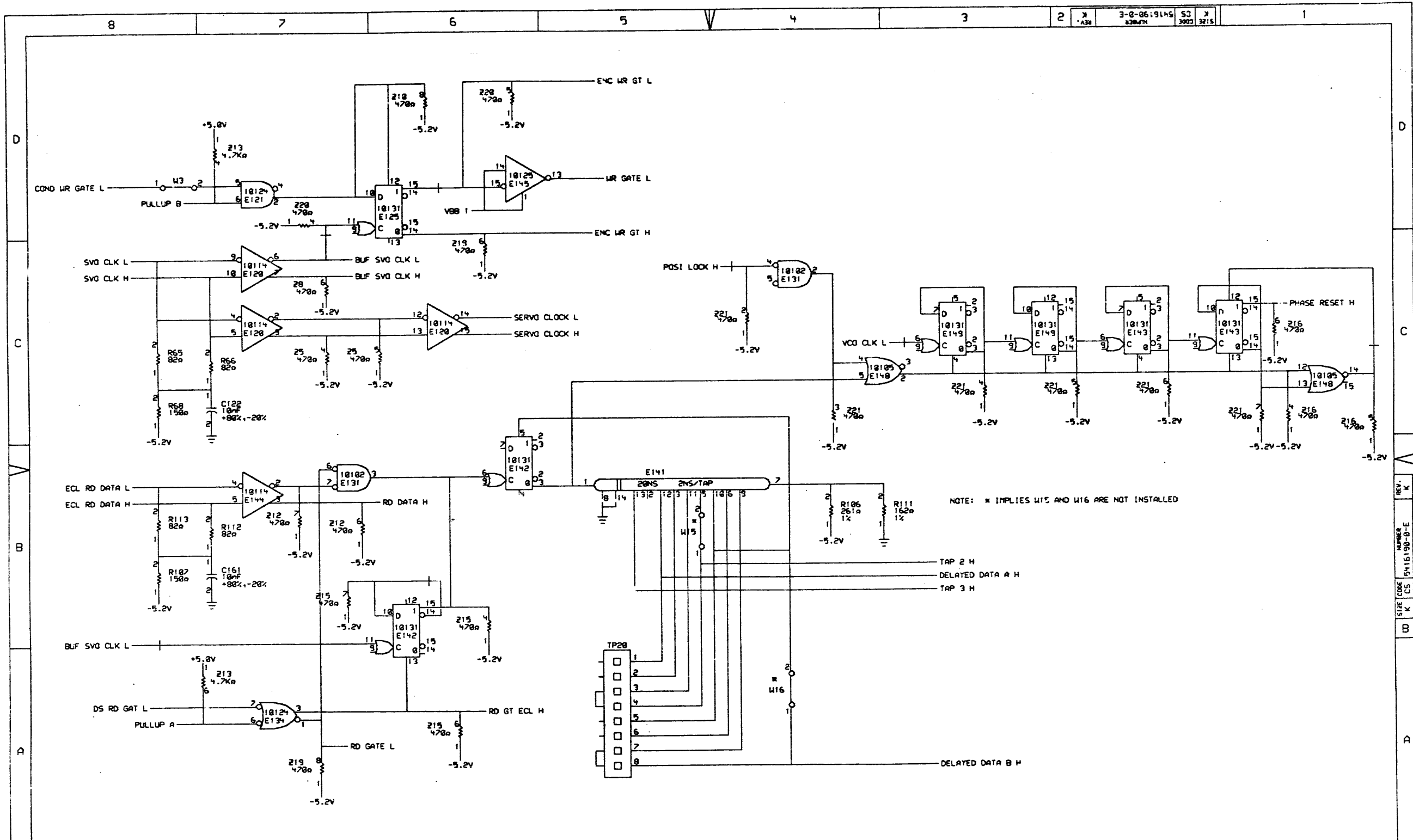
digital	ORN. G. SCHNEIDER	DATE ENG. 09-FEB-88	DATE	TITLE:
	CHK'D.	DATE	BOARD LOCATION:	HYBRID
SUPPLY: (CARRY) HYDOK18.0RU109-FEB-88 13143		NEXT HIGHER ASSEMBLY:		SIZE CODE
FIRST USED ON OPTION/MODEL: RAB2		K-DD-5416198-0-0		NUMBER
			REV. K	



READ/WRITE DIAGNOSTIC

REVISIONS	
CHK	CHANGE NO. REV.

	DRN. G. SCHNEIDER	DATE 03-FEB-88	ENG.	DATE	TITLE:
	CHK'D.	DATE	BOARD LOCATION:	19 OF 26	HYBRID
COPY: (CANNY HYDRA) DAL 03-FEB-88 13143 NEXT HIGHER ASSEMBLY:		FIRST USED ON OPTION/MODEL: RAB2		SIZE CODE K CS	NUMBER 5416190-0-E
REV. K				REV. K	

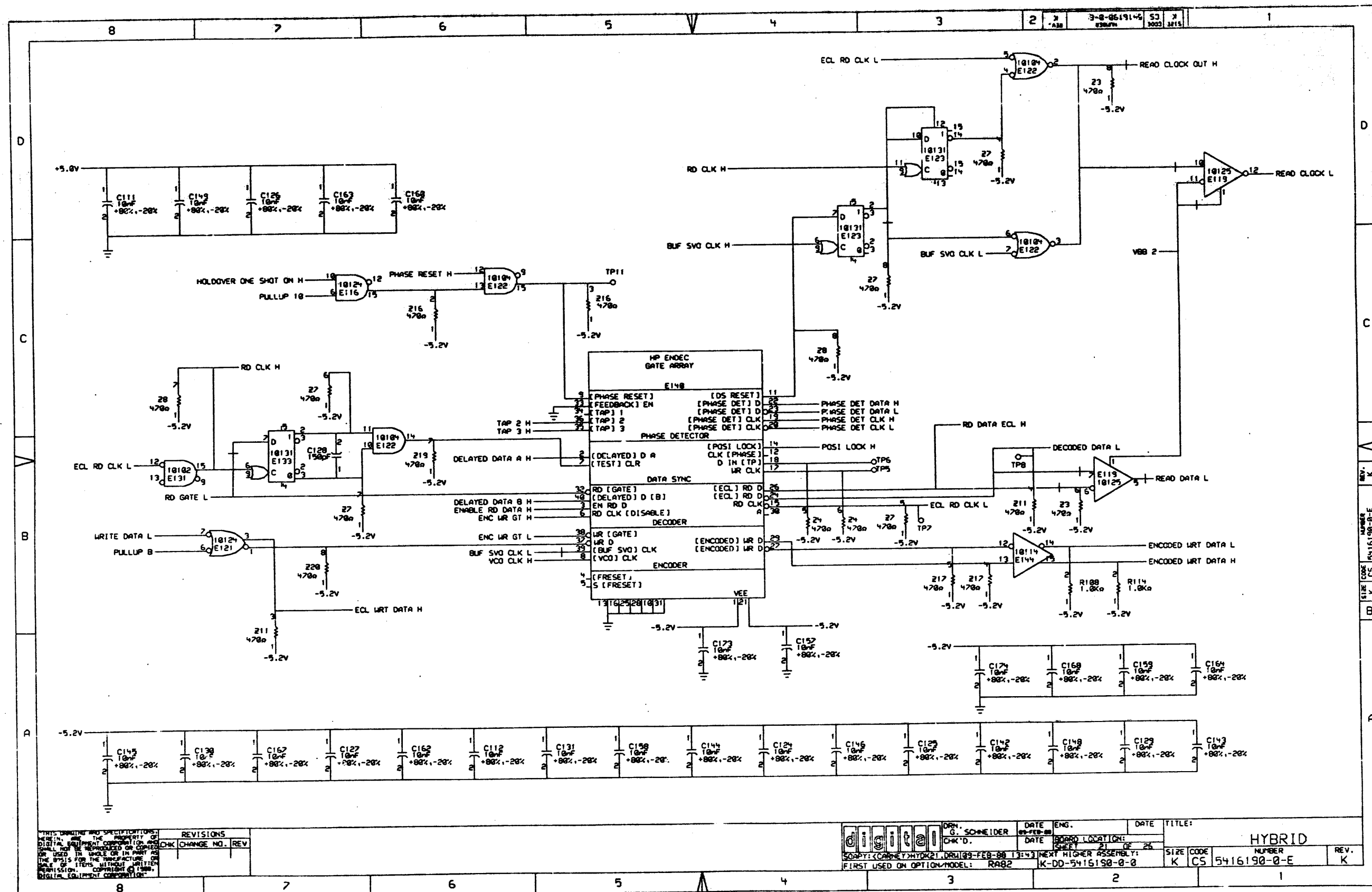


THIS DRAWING AND SPECIFICATIONS ARE THE PROPERTY OF DIGITAL EQUIPMENT CORPORATION AND SHALL NOT BE REPRODUCED OR COPIED OR USED IN WHOLE OR IN PART AS THE BASIS FOR THE MANUFACTURE OR SALE OF ITEMS WITHOUT WRITTEN PERMISSION. COPYRIGHT © 1988, DIGITAL EQUIPMENT CORPORATION.

REVISIONS		
CHK	CHANGE NO.	REV

	DRAWN: G. SCHNEIDER	DATE: 09-FEB-88	ENG.	DATE	TITLE: HYBRID
	CHK'D:	DATE	BOARD LOCATION:	SHEET 28 OF 26	NUMBER
FIRST USED ON OPTION/MODEL: RAB2			NEXT HIGHER ASSEMBLY: K-DD-5416190-0-0		SIZE CODE: K CS
					REV. K

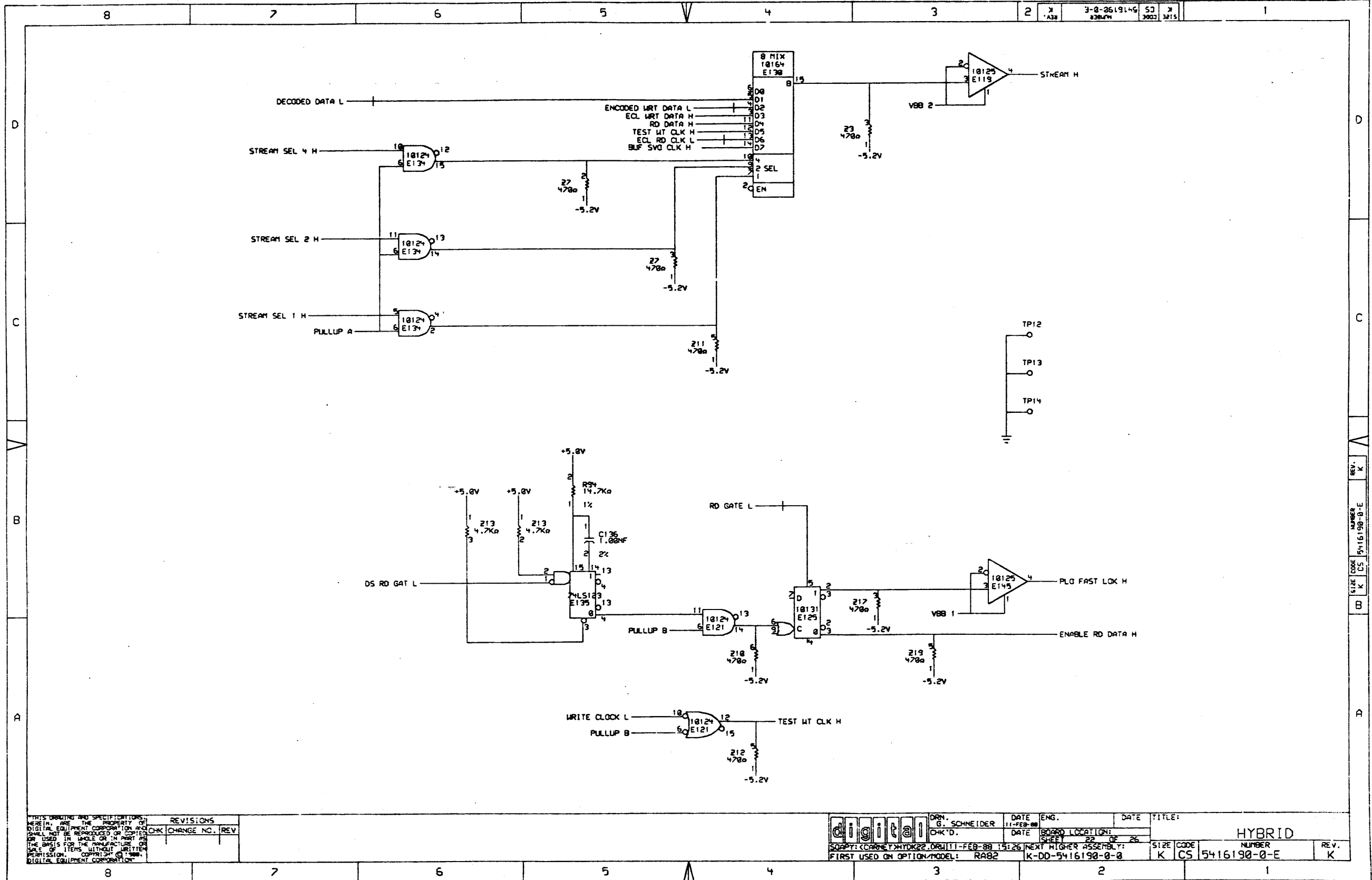
REV. K
 NUMBER 5416190-0-E
 CS
 D



THIS DRAWING AND SPECIFICATIONS ARE THE PROPERTY OF DIGITAL EQUIPMENT CORPORATION AND SHALL NOT BE REPRODUCED OR COPIED OR USED IN WHOLE OR IN PART AS THE BASIS FOR THE MANUFACTURE OR SALE OF ITEMS WITHOUT WRITTEN PERMISSION. COPYRIGHT © 1980, DIGITAL EQUIPMENT CORPORATION.

REV.	CHANGE NO.	REV.

	DRN. G. SCHNEIDER	DATE 09-FEB-80	ENG.	DATE	TITLE: HYBRID
	CHK'D.	DATE	BOARD LOCATION: 26	SHEET 21 OF 26	REV. K
COPY: CAME 7/HTK21.DRI/99-FEB-80 13:43		NEXT HIGHER ASSEMBLY: K-DD-5416198-0-0		SIZE CODE K CS	NUMBER 5416198-0-E
FIRST USED ON OPTION/MODEL: RA82					

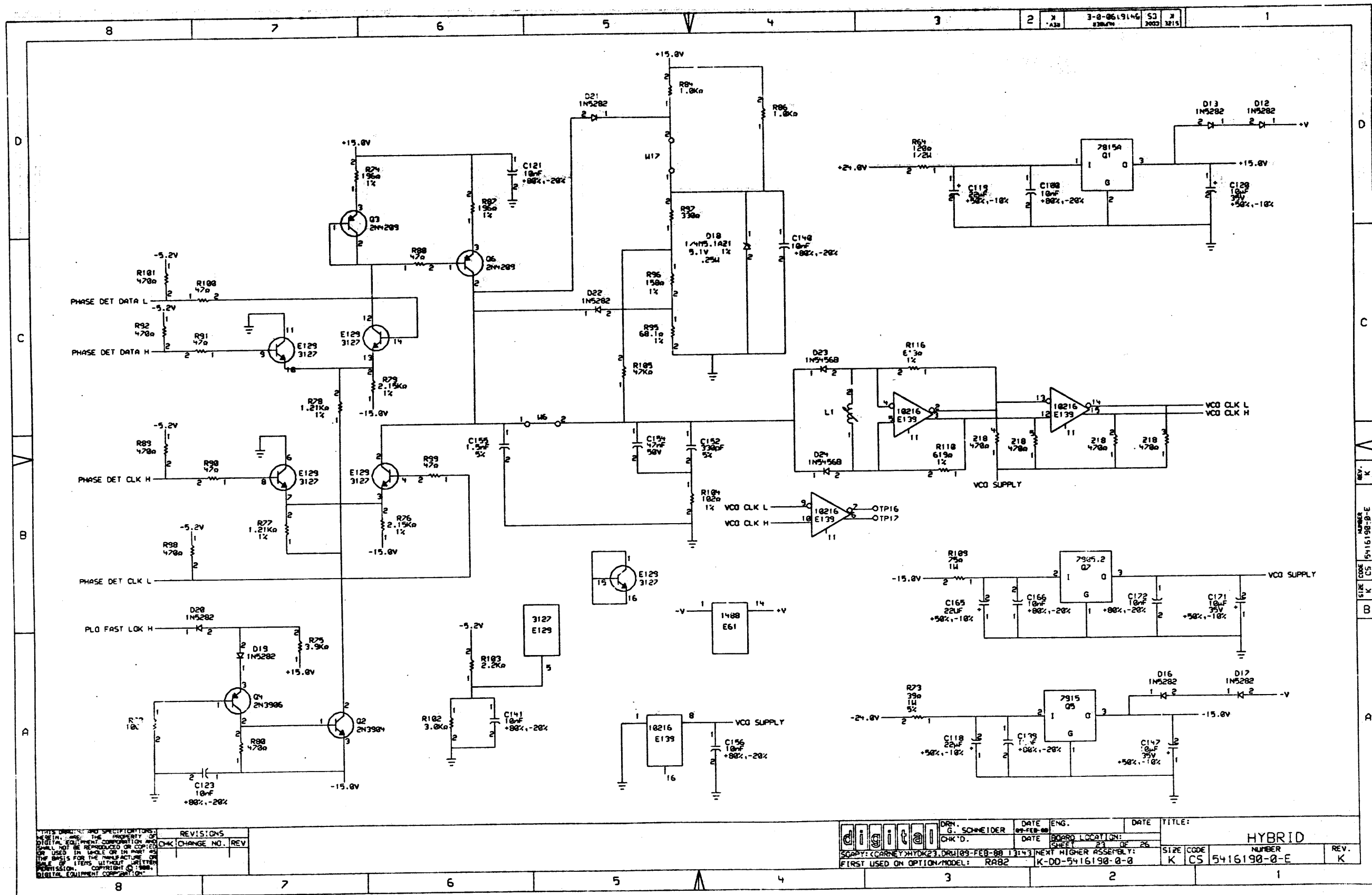


THIS DRAWING AND SPECIFICATIONS
HEREIN ARE THE PROPERTY OF
DIGITAL EQUIPMENT CORPORATION AND
SHALL NOT BE REPRODUCED OR COPIED
OR USED IN WHOLE OR IN PART AS
THE BASIS FOR THE MANUFACTURE OR
SALE OF ITEMS WITHOUT WRITTEN
PERMISSION. COPYRIGHT © 1988,
DIGITAL EQUIPMENT CORPORATION

REVISIONS	
CHK	CHANGE NO. REV

	DRAWN: G. SCHNEIDER	DATE: 11-FEB-88	ENG.	DATE:	TITLE:
	CHK'D:	DATE:	BOARD LOCATION:	SHEET: 22	OF: 26
SUPPLY: CORNELL/MTXK22.00/111-FEB-88 14:26 FIRST USED ON OPTION/MODEL: RAB2		NEXT HIGHER ASSEMBLY: K-DD-5416190-0-0		SIZE: K CODE: CS	NUMBER: 5416190-0-E REV.: K

REV. K
NUMBER 5416190-0-E
SIZE CODE K CS



THIS DRAWING AND SPECIFICATIONS ARE THE PROPERTY OF DIGITAL EQUIPMENT CORPORATION AND SHALL NOT BE REPRODUCED OR COPIED IN WHOLE OR IN PART OR FOR ANY PURPOSE WITHOUT WRITTEN PERMISSION. COPYRIGHT © 1988, DIGITAL EQUIPMENT CORPORATION.

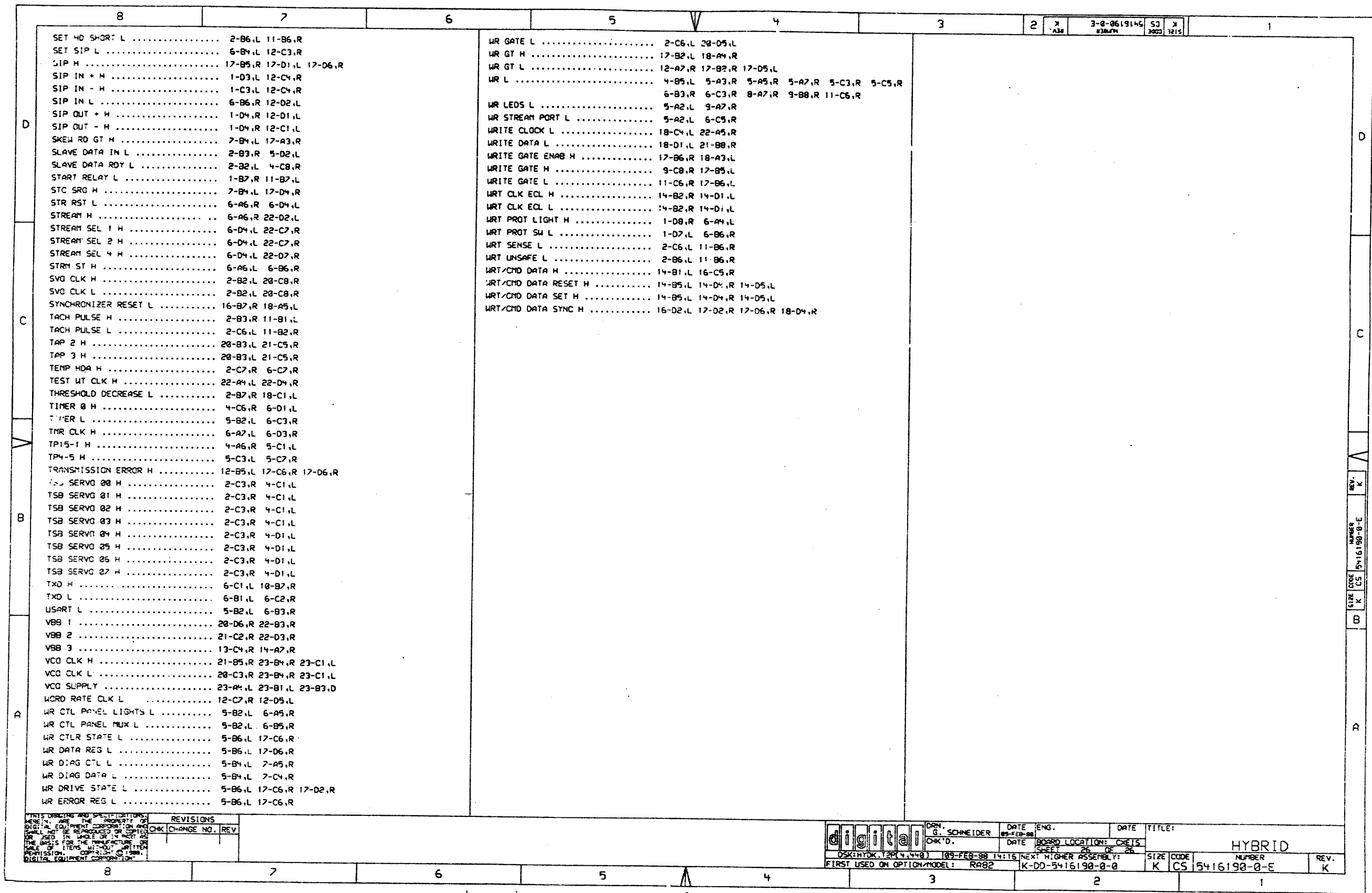
REV.	CHG	CHANGE NO.	REV

DRN. G. SCHNEIDER	DATE 09-FEB-88	ENG.	DATE	TITLE: HYBRID
CHK'D.	DATE	BOARD LOCATION: SHEET 21 OF 26		
SCOPY: (CARNY)HYDK23.DRW(09-FEB-88 1343)	NEXT HIGHER ASSEMBLY:	SIZE CODE K CS	NUMBER 5416190-0-E	REV. K
FIRST USED ON OPTION/MODEL: RAB2	K-DD-5416190-0-0			

		8		7		6		5		4		3		2		1	
Vertical location (A-D)		Direction of line (Left, Right, Up, Down) or electrical (Input, Output, Bath) or backplane pin (Pin)															
KEY:		Schematic Sheet															
		Horizontal location (1-8)															
(RD/WR) L 5-A5,R 5-A7,R 5-C4,L +0.5V 14-A6,R 14-B3,L 14-B6,R 14-C6,R 14-D6,R +15.0V 23-A7,D 23-D1,L 23-D5,D 23-D7,D +24.0V 1-A7,R 2-C7,R 23-D3,R +5.0V 1-B7,R 1-C3,D 1-C8,R 1-D7,D 2-B3,D 2-B6,L 2-C3,D 2-C7,D 3-B8,R 3-B8,R 3-C8,R 3-C8,R 3-D8,R 4-B6,R 4-C5,D 4-C7,D 5-D7,D 6-A6,D 6-A6,D 6-A8,D 6-B8,R 6-D3,D 8-B2,D 8-C4,R 8-C6,R 8-C7,R 9-B5,D 9-C7,D 9-C7,R 9-D2,D 9-D2,D 9-D3,D 9-D4,D 9-D6,D 9-D7,R 9-D8,D 10-C6,D 10-C6,R 11-A6,R 11-C3,D 11-C3,D 11-C6,D 12-B7,D 12-C2,D 12-C3,D 12-C4,D 12-C5,D 12-C7,D 12-C7,D 12-D2,D 12-D3,D 13-D7,D 14-B3,D 14-D8,D 15-D7,D 16-C6,D 17-B3,U 17-C7,D 18-B3,D 18-B5,D 18-D3,D 18-D4,D 19-A3,D 19-A3,D 19-B3,D 19-B6,D 19-D4,D 20-A8,D 20-D7,D 21-D8,R 22-B5,D 22-B6,D 22-B6,D +V 23-B4,L 23-D1,L +V1 15-A2,R 15-A4,R 15-B5,R 15-B7,D 15-C4,D 15-C6,L +V2 16-A4,R 16-A7,D 16-C3,D 16-C6,L -15.0V 23-A1,L 23-A7,D 23-B3,R 23-B6,D 23-C6,D -24.0V 1-A7,R 2-C7,R 23-A3,R -3.3V 14-A3,L 14-A6,R 14-B6,R 14-C6,R 14-D6,R -5.2V 1-A7,R 2-B6,L 3-A8,R 13-A6,D 13-A6,D 13-C4,D 13-C5,D 13-C5,D 14-A2,D 14-B1,L 14-B3,D 14-B7,D 14-B7,D 14-C3,D 14-C3,D 14-C3,R 14-C7,D 14-D1,L 14-D3,D 14-D3,D 14-D3,R 14-D7,D 20-A6,D 20-A6,D 20-A7,D 20-B1,D 20-B1,D 20-B1,U 20-B4,D 20-B4,D 20-B7,D 20-B7,D 20-B7,D 20-B8,D 20-C1,D 20-C2,D 20-C2,D 20-C3,D 20-C4,D 20-C6,D 20-C6,D 20-C7,D 20-C7,D 20-C8,D 20-D6,D 20-D6,D 20-D7,R 21-A3,R 21-A7,D 21-A8,R 21-B2,D 21-B2,D 21-B2,D 21-B2,D 21-B3,D 21-B3,D 21-B3,D 21-B4,L 21-B5,R 21-B6,D 21-B7,D 21-B7,D 21-C3,D 21-C4,D 21-C5,D 21-C6,D 21-C7,D 21-C8,D 21-D2,D 21-D3,D 22-A3,D 22-A3,D 22-A4,D 22-A4,D 22-C4,D 22-C5,D 22-D3,D 22-D5,D 23-A6,D 23-B8,D 23-C8,D 23-C8,D 23-C8,D -V 23-A1,L 23-B5,R A RD/RES DATA + H 1-D2,R 14-C5,L A RD/RES DATA - L 1-D2,R 14-C5,L A RTCS IN + H 1-D1,L 14-C6,R A RTCS IN - L 1-D1,L 14-C6,R A RTDS OUT + H 1-C2,R 14-D5,L A RTDS OUT - L 1-D2,R 14-D5,L A WRT/CMD DATA + H 1-D1,L 14-D6,R A WRT/CMD DATA - L 1-D1,L 14-D6,R A00 H 4-A3,L 5-A5,R 5-A7,R 5-C8,R 6-B3,R 6-C3,R 8-A7,R 8-C4,R 8-C6,R 8-C7,R 11-C6,R A01 H 4-A3,L 5-A3,R 5-A5,R 5-A7,R 5-C8,R 6-C3,R 8-A7,R 8-C4,R 8-C6,R 8-C7,R 11-C6,R A02 H 4-A3,L 5-A3,R 5-A5,R 5-A7,R 5-C8,R 8-A7,R 8-C4,R 8-C6,R 8-C7,R 11-C6,R A03 H 4-B3,L 5-A3,R 5-C8,R 8-A7,R 8-C4,R 8-C6,R 8-C7,R A04 H 4-B3,L 5-C8,R 8-A7,R 8-C4,R 8-C6,R 8-C7,R 9-B8,R A05 H 4-B3,L 5-C8,R 8-A7,R 8-C4,R 8-C6,R 8-C7,R 9-B8,R A06 H 4-B3,L 5-C8,R 8-B7,R 8-C4,R 8-C6,R 8-C7,R 9-B8,R A07 H 4-B3,L 5-C8,R 8-B7,R 8-C4,R 8-C6,R 8-C7,R		9-B8,R 4-C3,L 5-C8,R 8-B7,R 8-C4,R 8-C6,R 8-C7,R 4-C3,L 5-C8,R 8-B7,R 8-C4,R 8-C6,R 8-C7,R 4-C3,L 5-D8,R 8-B7,R 8-C4,R 8-C6,R 8-C7,R 4-C3,L 5-D8,R 8-C4,R 8-C6,R 8-C7,R 4-D3,L 5-D8,R 8-B3,R 11-C6,R 4-D3,L 5-D8,R 8-B3,R 11-C6,R 4-D3,L 5-D8,R 8-B3,R 11-C6,R 4-B1,L 5-C7,R 4-B1,L 5-C7,R 4-B1,L 5-D7,R 4-B1,L 5-D7,R 4-C1,L 5-C7,R 4-C1,L 5-C7,R 4-C1,L 5-C7,R 4-A4,R 4-A5,L 5-D5,R 12-D7,R 17-C1,L 12-C7,R 17-D1,L 1-D5,R 14-A5,L 1-D5,R 14-A5,L 1-D5,L 14-A6,R 1-D5,L 14-A6,R 1-C5,R 14-B5,L 1-D5,R 14-B5,L 1-D5,L 14-B6,R 6-B3,R 6-D1,L 1-B3,R 6-D7,R 2-C6,L 11-B7,L 2-C6,L 11-C8,R 20-C7,L 21-C4,R 22-D4,R 20-B8,R 20-C7,L 21-B5,R 21-C3,R 5-C5,R 10-B7,R 11-C6,R 11-C7,L 18-B3,R 2-B2,L 11-C7,R 9-B3,R 9-C3,L 12-B8,R 15-A3,L 18-A7,R 15-A3,L 15-B8,R 16-B7,R 4-B5,L 6-A8,R 6-B3,R 2-C3,R 5-C1,L 5-B4,L 17-C6,R 5-B4,L 9-C4,R 17-C1,L 17-C6,R 6-C4,L 17-C3,R 17-B4,R 17-D5,L 11-B4,L 20-D8,R 14-A8,R 14-C1,L 12-B7,R 14-A7,L 4-A1,L 6-B3,R 6-B5,R 6-C3,R 6-C5,L 6-C5,R 6-C7,L 6-D5,R 6-D6,L 7-B5,R 7-D4,R 7-D5,L 8-B7,L 8-C3,L 8-C5,L 8-C7,L 9-B6,R 11-D4,L 17-C1,L 17-C5,L 4-A1,L 6-B3,R 6-B5,L 6-B7,L 6-C3,R 6-C3,R 6-C5,R 6-D5,R 6-D6,L 7-B5,R 7-C4,R 7-D5,L 8-B7,L 8-C3,L 8-C5,L 8-C7,L 9-B6,R 11-D4,L 17-C1,L 17-C5,L 4-A1,L 6-A5,R 6-B5,L 6-B7,L 6-C3,R 6-C3,R 6-D6,L 7-B5,R 7-C4,R 7-C5,L 8-B7,L 8-C3,L 8-C5,L 8-C7,L 9-A6,R 11-D4,L 17-C1,L 17-C5,L 4-A1,L 6-A5,R 6-B5,L 6-B7,L 6-C3,R 6-C5,R 6-D6,L 7-B5,R 7-C4,R 7-C5,L 8-B7,L 8-D3,L 8-D5,L 8-D7,L 9-A6,R 11-D4,L 17-C1,L 17-C5,L		D04 H 6-D3,R 6-D5,R 4-B1,L 6-A5,R 6-B5,L 6-B7,L 6-C3,R 6-C5,R 6-D6,L 7-B5,R 7-C4,R 7-C5,L 8-B7,L 8-D3,L 8-D5,L 8-D7,L 9-A6,R 11-D4,L 17-C1,L 17-C5,L D05 H 4-B1,L 6-A5,R 6-B5,L 6-B5,R 6-B7,L 6-C3,R 6-D5,R 7-A5,R 7-C4,R 7-C5,L 8-B7,L 8-D3,L 8-D5,L 8-D7,L 9-A6,R 11-D4,L 17-C1,L 17-C5,L D06 H 4-B1,L 6-A5,R 6-B5,L 6-B5,R 6-B7,L 6-C3,R 6-D5,R 7-A5,R 7-C4,R 7-C5,L 8-B7,L 8-D3,L 8-D5,L 8-D7,L 9-A6,R 11-D4,L 17-C1,L 17-C5,L D07 H 4-B1,L 6-A5,R 6-B5,L 6-B5,R 6-B7,L 6-C3,R 6-D3,R 7-A5,R 7-C4,R 7-C5,L 8-B7,L 8-D3,L 8-D5,L 8-D7,L 9-A6,R 11-D4,L 17-C1,L 17-C5,L DATA PULSE ERR ECL L 14-A8,R 14-D1,L DATA PULSE ERR L 12-B7,R 14-A7,L DC 9-C8,R DC LOW L 1-B6,L 9-C8,R DECODE CLOCK H 14-B1,L 16-B7,R DECODED DATA L 21-B2,L 22-D7,R DELAYED DATA A H 20-B3,L 21-B5,R DELAYED DATA B H 20-A3,L 21-B5,R DETENT BUF L 2-B3,R 11-B8,R DIAG DATA 0 H 7-D3,L 7-D6,R 19-D5,R DIAG DATA 1 H 7-C3,L 7-C6,R 19-C3,R DIAG DATA 2 H 7-C3,L 7-C6,R 19-D5,R DIAG DATA 3 H 7-C3,L 7-C6,R 19-D5,R DIAG DATA 4 H 7-C3,L 7-C6,R 19-D5,R DIAG DATA 5 H 7-C3,L 7-C6,R 19-D5,R DIAG DATA 6 H 7-C3,L 7-C6,R 19-D5,R DIAG DATA 7 H 7-C3,L 7-C6,R 19-D5,R DIAG DATA SYNC H 17-B6,R 17-C6,R 18-C5,R 18-D2,R 19-A1,L DIAG MODE H 7-A4,L 19-A4,R DIAG MODE L 18-B4,R 19-A2,L DIAG RAW H 18-C5,R 11-C4,L DIAG RD/WRT ENAB H 18-D2,R 19-B1,L 19-C7,R DIAG RD/WRT ENAB L 18-D2,R 19-B1,L DIAG READ ERROR H 6-B8,R 19-C2,L DIAG READ GATE H 7-B4,L 17-B6,R 19-B3,R 19-C8,R DIAG WRITE DATA H 18-D2,R 19-D4,L DIAG WRITE GATE H 7-B4,L 17-C7,R 19-C8,R DIAG WRITE GATE L 7-B4,L 19-B3,R DRIVE INIT L 9-C5,R 9-D1,L DRIVE SEC/IND PULSE H 6-D3,R 19-A3,L DRIVE SEC/IND PULSE L 19-A4,R 19-A5,L 19-C7,R 19-D2,R DRV FLT L 4-C8,R 7-A6,R 11-B7,R 11-C4,L 17-C6,R 17-C7,R DS RD GAT L 11-C1,L 20-A8,R 22-B6,R DTR H 6-B1,L 6-C2,R ECL RD CLK L 21-B3,L 21-B8,R 21-D3,R 22-D4,R ECL RD DATA H 2-B6,L 20-B8,R ECL RD DATA L 2-B7,R 20-B8,R ECL WRT DATA H 21-B7,L 22-D4,R EMBED OK H 11-B6,R 11-C7,L EMBED OK L 2-B3,R 11-C8,R EMBED RESET L 2-B2,L 11-C1,L EN LAMP TEST L 6-A2,R 6-B4,L EN PORT A ECL L 14-B7,L 14-C6,R 14-D6,R EN PORT A H 14-B8,R 17-D1,L EN PORT B ECL L 14-A6,R 14-B6,R 14-B7,L EN PORT B H 14-B8,R 17-D1,L EN RTDS A ECL L 14-D6,R 14-D7,L EN RTDS A H 12-D8,R 14-D8,R 17-D1,L EN RTDS B ECL L 14-B6,R 14-D7,L													
PARTS DRAWING AND SPECIFICATIONS ARE THE PROPERTY OF DIGITAL EQUIPMENT CORPORATION AND SHALL NOT BE REPRODUCED OR COPIED FOR USE IN WHOLE OR IN PART AS THE BASIS FOR THE MANUFACTURE OR SALE OF ITEMS WITHOUT WRITTEN PERMISSION. COPYRIGHT © 1988, DIGITAL EQUIPMENT CORPORATION.		REVISIONS CHK CHANGE NO. REV		digital G. SCHNEIDER DATE 09-FEB-88 ENG. DATE BOARD LOCATION: CN15 SHEET 26 OF 26 TITLE: HYBRID DSK:HYDK.T2P.4.440 09-FEB-88 14:16 NEXT HIGHER ASSEMBLY: K-DD-5416190-0-E FIRST USED ON OPTION/MODEL: RAB2												SIZE CODE NUMBER REV. K CS 5416190-0-E K	

	8	7	6	5	4	3	2	1
D	EN RTDS B H	12-08,R 14-08,R 17-01,L		MICRO BD PORTS L	5-B4,R 11-C4,L		READ CLOCK L	19-A6,R 21-01,L
	ENABLE RD DATA H	21-B5,R 22-A2,L		MOTOR ENABLE L	6-C4,L 11-A8,R 11-A8,R		READ CLOCK OUT H	13-C7,R 21-02,L
	ENABLE READ CLOCK H	13-C7,R 18-B3,L		NTR RUN L	2-B3,R 11-A8,R		READ DATA H	19-B5,L
	ENABLE SERVO CLOCK H	13-D7,R 18-A4,L		NTR START L	2-B3,R 11-B8,R		READ DATA L	19-B6,R 21-B2,L
	ENC WR GT H	28-05,L 21-B5,R		MULTI CHIP DIAG L	2-C6,L 6-C4,L		READ GATE H	18-C4,L
	ENC WR GT L	28-05,L 21-B5,R		MULTI CHIP SEL L	2-B7,R 11-B6,R		READ GATE L	11-B6,R 11-C2,R 18-B4,L
	ENCODED WRT DATA H	2-B6,L 21-B2,L		NRZ DATA ECL H	14-B2,R 14-D1,L		READ GATE REQUEST L	17-B5,L 18-B8,R
	ENCODED WRT DATA L	2-B7,R 21-B2,L 22-04,R		NRZ DATA ECL L	14-B2,R 14-D1,L		READY LIGHT H	1-08,R 6-B4,L
	EVEN TRACK H	2-C2,L 11-B2,R		NRZ RTCS ECL H	14-A2,R 14-C1,L		REC RD GT H	12-A5,R 12-C5,L 17-B6,R 17-B8,R 17-D6,R 18-C3,R
	EVEN TRK L	2-B6,L 11-B1,L		NRZ RTCS ECL L	14-A2,R 14-C1,L		REC RD GT L	12-A4,L 17-B6,R
	FAULT CLR SW L	1-C7,L 6-A2,R 11-36,R		OUT BIT 0 H	1-07,L 6-B8,R		REC RDY IN H	12-C5,L 17-B5,R 17-C6,R
	FAULT LIGHT H	1-C8,R 11-B4,L		OUT BIT 1 H	1-07,L 6-B8,R		REC ROY OUT H	12-07,R 17-C5,L
	FINE TRACK BUF H	11-B6,R 11-D7,L		OUT BIT 2 H	1-07,L 6-B8,R		REC WR GT H	12-A5,R 12-C5,L 17-D6,R 18-C5,R 18-D2,R
	FINE TRACK BUF L	2-C2,L 11-D7,R		OUT BIT 3 H	1-07,L 6-B8,R		REC WR GT L	12-A4,L 17-B6,R
	FORMAT 16 H	11-B6,R 11-C7,L		PERS BD PORTS L	4-A3,R 5-A5,R 5-A7,R 11-C4,L		RELOAD H	12-C5,L 12-C7,R
	GRANT IN + H	1-D3,L 12-C4,R		PHASE DET CLK H	21-C4,L 23-B8,R		RES 0 H	17-C5,L 17-D2,R
	GRANT IN - H	1-D3,L 12-C4,R		PHASE DET CLK L	21-C4,L 23-B8,R		RES 1 H	17-C5,L 17-D2,R
	GRANT IN L	6-B6,R 12-B2,L		PHASE DET DATA H	21-C4,L 23-C8,R		RES DATA H	13-B7,R 17-D1,L
	GRANT OUT + H	1-D4,R 12-B1,L		PHASE DET DATA L	21-C4,L 23-C8,R		RESET H	4-C6,L 6-B3,R 17-C6,R 17-D2,R
	GRANT OUT - H	1-D4,R 12-B1,L		PHASE RESET H	20-C1,L 21-C6,R		RESET SLAVE L	2-B2,L 6-B4,L
	HD CLK ASSERT H	6-B8,R 18-C6,R 11-C4,L		PLO FAST LOK H	22-B2,L 23-B8,R		ROM 0 L	8-B2,L 8-C7,R
	HD SEL 1 H	11-B2,R 11-B4,L		PORT A LIGHT H	1-08,R 6-A4,L		ROM 1 L	8-B2,L 8-C6,R
	HD SEL 1 L	2-C6,L 11-B1,L		PORT A SEL SW L	1-07,L 6-B6,R		ROM 2 L	4-A3,R 8-B2,L 8-C4,R
	HD SEL 2 H	11-A2,R 11-B4,L		PORT B LIGHT H	1-08,R 6-A4,L		RST/INT L	4-C7,R 7-A6,R 9-C4,R 9-C5,L 11-B6,R 16-B7,R
	HD SEL 2 L	2-C7,R 11-A1,L		PORT B SEL SW L	1-07,L 6-B6,R		RTCS CLK ECL H	14-A2,R 14-C1,L
	HD SEL 4 H	11-A2,R 11-B4,L		POST LOCK H	28-C4,R 21-B4,L		RTCS CLK ECL L	14-A2,R 14-C1,L
	HD SEL 4 L	2-C6,L 11-A1,L		PRESYNC L	17-D1,L 17-D6,R		RTCS CLK H	12-C7,R 14-A1,L 15-A5,R 15-C8,R
	HD SEL 8 H	11-A2,R 11-B4,L		PSEUDO BYTE CLK H	6-D4,L 18-B7,R		RTCS CLK SYNC H	15-A1,L
	HD SEL 8 L	2-C7,R 11-A1,L		PSEUDO BYTE CLK SEL H	6-D4,L 18-B7,R		RTCS H	12-C7,R 14-A1,L 15-D6,R
	HD SHORT DIAG L	2-C6,L 6-C4,L		PULLUP 10	14-D7,L 21-C7,R		RTCS RESET H	14-A5,L 14-C4,R 14-C5,L
	HOLD GRANT H	6-B4,L 12-B3,R		PULLUP A	28-A8,R 22-C7,R		RTCS SET H	14-A5,L 14-C4,R 14-C5,L
	HOLD OVER ONE SHOT ON H	7-B4,L 21-C7,R		PULLUP B	28-D8,R 21-B8,R 22-A5,R 22-A5,R		RTCS SYNC H	15-D2,L
	I LOCK EMBEDDED L	2-C4,R 6-D7,R		PUR UP RST L	2-C3,R 6-A8,R 9-B7,R 9-C1,L 9-C6,L 11-B6,R 15-A2,R 15-A5,R 15-C8,R 16-B7,R 17-B8,R 18-A5,R 18-A7,R 18-B8,R 18-C4,R		RTDS CLK ECL L	14-C4,R 14-C7,L
	I LOCK OP L	1-C6,L 6-D7,R		R DATA H	6-B1,L 18-B7,L		RTDS CLK H	12-05,L 14-C8,R
	I LOCK R/W L	2-C7,R 6-D7,R		R/W ENABLE L	2-C7,R 11-B7,L		RTDS ECL H	14-C4,R 14-C7,L
	JACK SERVO L	2-B4,R 6-D7,R		R/W RDY OUT H	12-07,R 17-B6,R 17-C5,L		RTDS H	12-05,L 14-C8,R
	IND CTR 1024 H	10-B2,L 11-B6,R		RAM 0 L	4-A3,R 8-A7,R 8-B2,L		RTDS HI OUT H	14-B6,R 14-C1,L 14-D6,R
	INDEX DET H	5-C5,R 11-C6,R 11-D7,L		RD CLK H	21-C7,L 21-D4,R		RTDS LO OUT H	14-B6,R 14-C1,L 14-D6,R
	INDEX DETECT L	2-C2,L 11-D7,R		RD CLK L	19-B5,L 19-C8,R		RTS H	6-B1,L 6-C2,R
	INDEX ENABLE H	6-C4,L 11-B7,R 11-C6,R		RD CP MUX L	5-B4,L 6-B8,R		RUN RELAY L	1-B7,R 11-A7,L
	INDEX PULSE H	5-C2,R 6-C7,R 11-C4,L 12-C7,R 17-A3,R 17-D6,R 19-A6,R		RD CTL PANEL SW L	5-B2,L 6-B6,R		RUN SW L	1-07,L 6-C6,R
	INDX CP1 H	10-C4,L 11-C6,R		RD CTLR STATE L	5-B6,L 17-C6,R		RXD H	6-A1,L 18-B7,R
	INDX CP2 H	10-C4,L 11-C6,R		RD DATA ECL H	13-B7,R 21-C3,L		RXD L	6-A2,R 6-C1,L
	INDX CP3 H	10-C4,L 11-C6,R		RD DATA H	28-B6,L 22-04,R		SAMPLE H	11-C4,L 11-D2,R
	INDX CP4 H	10-C4,L 11-C6,R		RD DATA REG L	5-B6,L 17-C2,R		SAMPLE L	2-B7,R 11-D1,L
	INIT REQ H	6-C8,R 9-C3,L 9-C3,R		RD DIAG DATA L	5-B4,L 7-C6,R		SDI INIT H	9-D4,R 12-C5,L
	INT ENABLE H	11-C4,L 11-D2,R		RD DRIVE SAFETY REG L	5-B2,L 6-D7,R		SDI MASTER CLR H	6-A4,L 17-C2,R
	INT ENABLE L	2-B7,R 11-D1,L		RD DRIVE STATE L	5-B6,L 17-C6,R 17-D2,R		SECT CNT 07 L	18-C3,R 11-C4,L
	INT RESET H	11-C4,L 11-D2,R		RD ERROR REG L	5-A6,L 17-C6,R		SECTOR PULSE H	5-C2,R 6-C7,R 11-C4,L 12-07,R 17-D6,R 19-A6,R
	INT RESET L	2-C7,R 11-D1,L		RD GATE L	28-A7,L 21-B7,R 22-B4,R		SEND CLK ECL L	13-C5,L 14-D4,R
	IO H	4-B5,L 5-D5,R 8-B3,R 9-B8,R 11-C6,R		RD GT ECL H	13-B7,R 28-A6,L		SEND CLOCK H	13-C3,L 16-A5,R 17-D2,R 17-D6,R
	L H	13-B7,R 13-C7,L		RD GT L	17-B2,L 17-B6,R 18-C3,R		SERVO BD PORTS L	4-C2,R 5-C3,R 11-C4,L
	LAMP TEST H	1-C8,R 6-A2,L		RD GT H	12-A7,R 17-A3,R 17-D5,L		SERVO CLOCK A H	17-B4,R 18-D4,R 18-D5,L
	LATCHED DC LG H	2-B6,L 9-C6,L		RD GT L	4-A2,R 4-B5,L 4-C2,R 5-D3,R 5-D5,R 6-B3,R		SERVO CLOCK B L	5-C5,R 17-B8,R 18-D5,L
	LD GS H	17-C2,R 17-D5,L		RD L	6-C3,R 8-A7,R 8-C4,R 8-C6,R 8-C7,R 11-C6,R		SERVO CLOCK C H	12-07,R 13-C7,R 17-D2,R 17-D6,R 18-A5,R 18-A7,R
	LD SRO H	17-D2,R 17-D5,L		RD/RES DATA ECL H	13-B6,L 14-D4,R		SERVO CLOCK D H	18-B8,R 18-C5,L 19-C8,R
	LOAD LIGHT H	1-C8,R 6-A4,L		RD/RES HI DATA H	14-A6,R 14-C6,R 14-D1,L		SERVO CLOCK H	9-B3,R 15-A4,R 15-B6,R 18-D5,L
	LOWER THRESHOLD H	7-B4,L 18-C3,R		RD/RES LO DATA H	14-A6,R 14-C6,R 14-D1,L		SERVO CLOCK L	18-C7,R 20-C6,L
	MASTER DATA RDY L	2-B3,R 6-B6,R		READ CLOCK H	18-B4,R 19-A5,L		SERVO CLOCK L	18-D7,R 20-C6,L
	MICRO BD L	4-A3,R 11-C4,L					SERVO FAULT H	2-C2,L 11-D7,R
							SERVO FLT L	11-B6,R 11-D7,L

<small>THIS DRAWING AND SPECIFICATION ARE THE PROPERTY OF DIGITAL EQUIPMENT CORPORATION AND SHALL NOT BE REPRODUCED OR COPIED OR USED IN WHOLE OR IN PART AS THE BASIS FOR THE MANUFACTURE OR SALE OF ITEMS WITHOUT WRITTEN PERMISSION. COPYRIGHT © 1988, DIGITAL EQUIPMENT CORPORATION.</small>	REVISIONS	DATE	ENG.	DATE	TITLE
	CHK CHANGE NO. REV				
					HYBRID
			DRN. G. SCHNEIDER 09-FEB-88 CHK'D. DATE 09-FEB-88 SHEET 28 OF 28 BOARD LOCATION: CSE15		SIZE CODE NUMBER REV. K CS 5416190-0-E K
FIRST USED ON OPTION/MODEL: RA82			NEXT HIGHER ASSEMBLY: K-00-5416190-0-0		



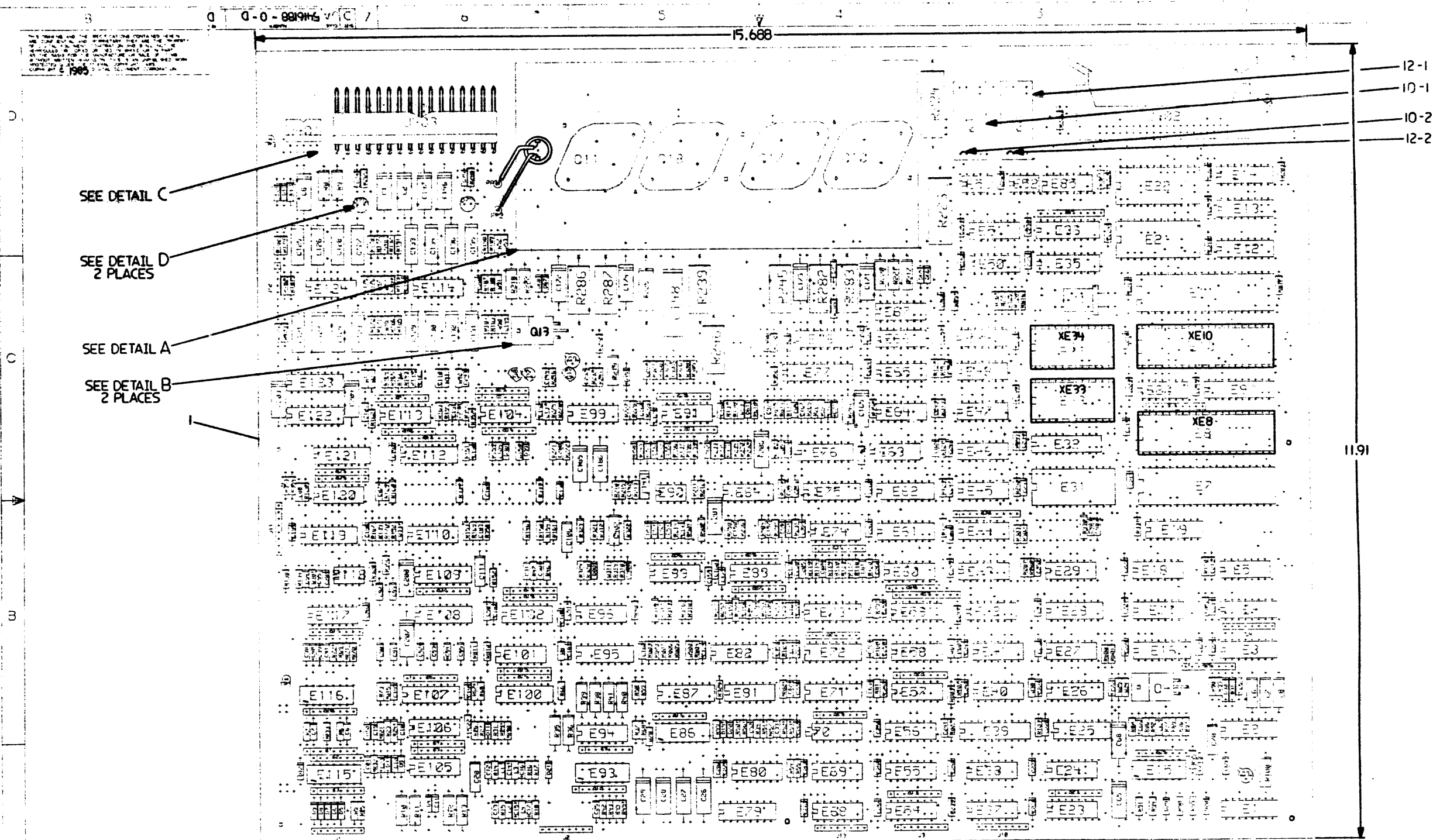
SET HD SHORT L 2-B6,L 11-B6,R
 SET SIP L 6-B4,L 12-C3,R
 SIP H 17-B5,R 17-D1,L 17-D6,R
 SIP IN + H 1-D3,L 12-C4,R
 SIP IN - H 1-C3,L 12-C4,R
 SIP IN L 6-B6,R 12-D2,L
 SIP OUT + H 1-D4,R 12-D1,L
 SIP OUT - H 1-D4,R 12-C1,L
 SKEW RD GT H 7-B4,L 17-A3,R
 SLAVE DATA IN L 2-B3,R 5-D2,L
 SLAVE DATA RDY L 2-B2,L 4-C8,R
 START RELAY L 1-B7,R 11-B7,L
 STC SRO H 7-B4,L 17-D4,R
 STR RST L 6-A6,R 6-D4,L
 STREAM H 6-A6,R 22-D2,L
 STREAM SEL 1 H 6-D4,L 22-C7,R
 STREAM SEL 2 H 6-D4,L 22-C7,R
 STREAM SEL 4 H 6-D4,L 22-D7,R
 STRM ST H 6-A6,L 6-B6,R
 SVO CLK H 2-B2,L 20-C8,R
 SVO CLK L 2-B2,L 20-C8,R
 SYNCHRONIZER RESET L 16-B7,R 18-A5,L
 TACH PULSE H 2-B3,R 11-B1,L
 TACH PULSE L 2-C6,L 11-B2,R
 TAP 2 H 20-B3,L 21-C5,R
 TAP 3 H 20-B3,L 21-C5,R
 TEMP HDA H 2-C7,R 6-C7,R
 TEST WT CLK H 22-A4,L 22-D4,R
 THRESHOLD DECREASE L 2-B7,R 18-C1,L
 TIMER 0 H 4-C6,R 6-D1,L
 TIMER L 5-B2,L 6-C3,R
 TMR CLK H 6-A7,L 6-D3,R
 TP15-1 H 4-A6,R 5-C1,L
 TP4-5 H 5-C3,L 5-C7,R
 TRANSMISSION ERROR H 12-B5,L 17-C6,R 17-D6,R
 TSB SERVO 00 H 2-C3,R 4-C1,L
 TSB SERVO 01 H 2-C3,R 4-C1,L
 TSB SERVO 02 H 2-C3,R 4-C1,L
 TSB SERVO 03 H 2-C3,R 4-C1,L
 TSB SERVO 04 H 2-C3,R 4-D1,L
 TSB SERVO 05 H 2-C3,R 4-D1,L
 TSB SERVO 06 H 2-C3,R 4-D1,L
 TSB SERVO 07 H 2-C3,R 4-D1,L
 TXD H 6-C1,L 10-B7,R
 TXD L 6-B1,L 6-C2,R
 USART L 5-B2,L 6-B3,R
 VBB 1 20-D6,R 22-B3,R
 VBB 2 21-C2,R 22-D3,R
 VBB 3 13-C4,R 14-A7,R
 VCO CLK H 21-B5,R 23-B4,R 23-C1,L
 VCO CLK L 20-C3,R 23-B4,R 23-C1,L
 VCO SUPPLY 23-A4,L 23-B1,L 23-B3,D
 WORD RATE CLK L 12-C7,R 12-D5,L
 WR CTL PANEL LIGHTS L 5-B2,L 6-A5,R
 WR CTL PANEL MUX L 5-B2,L 6-B5,R
 WR CTRL STATE L 5-B6,L 17-C6,R
 WR DATA REG L 5-B6,L 17-D6,R
 WR DIAG CTL L 5-B4,L 7-A5,R
 WR DIAG DATA L 5-B4,L 7-C4,R
 WR DRIVE STATE L 5-B6,L 17-C6,R 17-D2,R
 WR ERROR REG L 5-B6,L 17-C6,R

WR GATE L 2-C6,L 20-D5,L
 WR GT H 17-B2,L 18-A4,R
 WR GT L 12-A7,R 17-B2,R 17-D5,L
 WR L 4-B5,L 5-A3,R 5-A5,R 5-A7,R 5-C3,R 5-C5,R
 6-B3,R 6-C3,R 8-A7,R 9-B8,R 11-C6,R
 WR LEDS L 5-A2,L 9-A7,R
 WR STREAM PORT L 5-A2,L 6-C5,R
 WRITE CLOCK L 18-C4,L 22-A5,R
 WRITE DATA L 18-D1,L 21-B8,R
 WRITE GATE ENAB H 17-B6,R 18-A3,L
 WRITE GATE H 9-C8,R 17-B5,L
 WRITE GATE L 11-C6,R 17-B6,L
 WRT CLK ECL H 14-B2,R 14-D1,L
 WRT CLK ECL L 14-B2,R 14-D1,L
 WRT PROT LIGHT H 1-D8,R 6-A4,L
 WRT PROT SW L 1-D7,L 6-B6,R
 WRT SENSE L 2-C6,L 11-B6,R
 WRT UNSAFE L 2-B6,L 11-B6,R
 WRT/CHD DATA H 14-B1,L 16-C5,R
 WRT/CHD DATA RESET H 14-B5,L 14-D4,R 14-D5,L
 WRT/CHD DATA SET H 14-B5,L 14-D4,R 14-D5,L
 WRT/CHD DATA SYNC H 16-D2,L 17-D2,R 17-D6,R 18-D4,R

THIS DRAWING AND SPECIFICATIONS ARE THE PROPERTY OF DIGITAL EQUIPMENT CORPORATION AND SHALL NOT BE REPRODUCED OR COPIED OR USED IN WHOLE OR IN PART AS THE BASIS FOR THE MANUFACTURE OR SALE OF ITEMS WITHOUT WRITTEN PERMISSION. COPYRIGHT © 1988, DIGITAL EQUIPMENT CORPORATION

REVISIONS		
CHK	CHANGE NO.	REV

digital DAN. G. SCHNEIDER DATE ENG. DATE TITLE:
 CHK'D. DATE BOARD LOCATION: CS15
 SHEET 26 OF 26 HYBRID
 FIRST USED ON OPTION MODEL: RAB2 K-00-5416190-0-0 SIZE CODE NUMBER REV.
 K CS 5416190-0-E K



CHK	DRAWN BY	ENGINEER	CHANGE NO	DATE	REV
	5179 W. MAJOR	M. LEAPER	5416188-0001	19 FEB 66	A
	5232 W. MAJOR	M. LEAPER	5416188-0002	11 JUL 66	B
	5315 W. MAJOR	A. MILLER	5416188-0003	15 APR 66	C
	5336 W. MAJOR	A. MILLER	5416188-0004	15 SEP 67	D

CHK	DRAWN BY	ENGINEER	CHANGE NO	DATE	REV

NOTES: 1. THE FOLLOWING ARE SPARES: C22, C50, C51, C87, C88, C97, C101, C103, C10, C137, C144, C145, C159, C160, C167, C212, C215, C219, C221, C223, C224, C234, C236, C238, C239, C241, C244, C245, C247, C249, C251, C253, C258, C264, C265, C266, D38, D39, E1, E2, E79, E95, E123, J1-J4, J10-J13, L6-L8, Q4, R29-R31, R32, R269, R803-R811, W23, W46, W48, W50, W52, W61, W76, TP2, TP3, K1, K2

2. TPI OK IF BENT.
3. TORQUE TO 2.7 +/- .4.

DATE	REV	DESCRIPTION
19 FEB 66	A	INITIAL DESIGN
11 JUL 66	B	REVISED FOR MANUFACTURE
15 APR 66	C	REVISED FOR MANUFACTURE
15 SEP 67	D	REVISED FOR MANUFACTURE

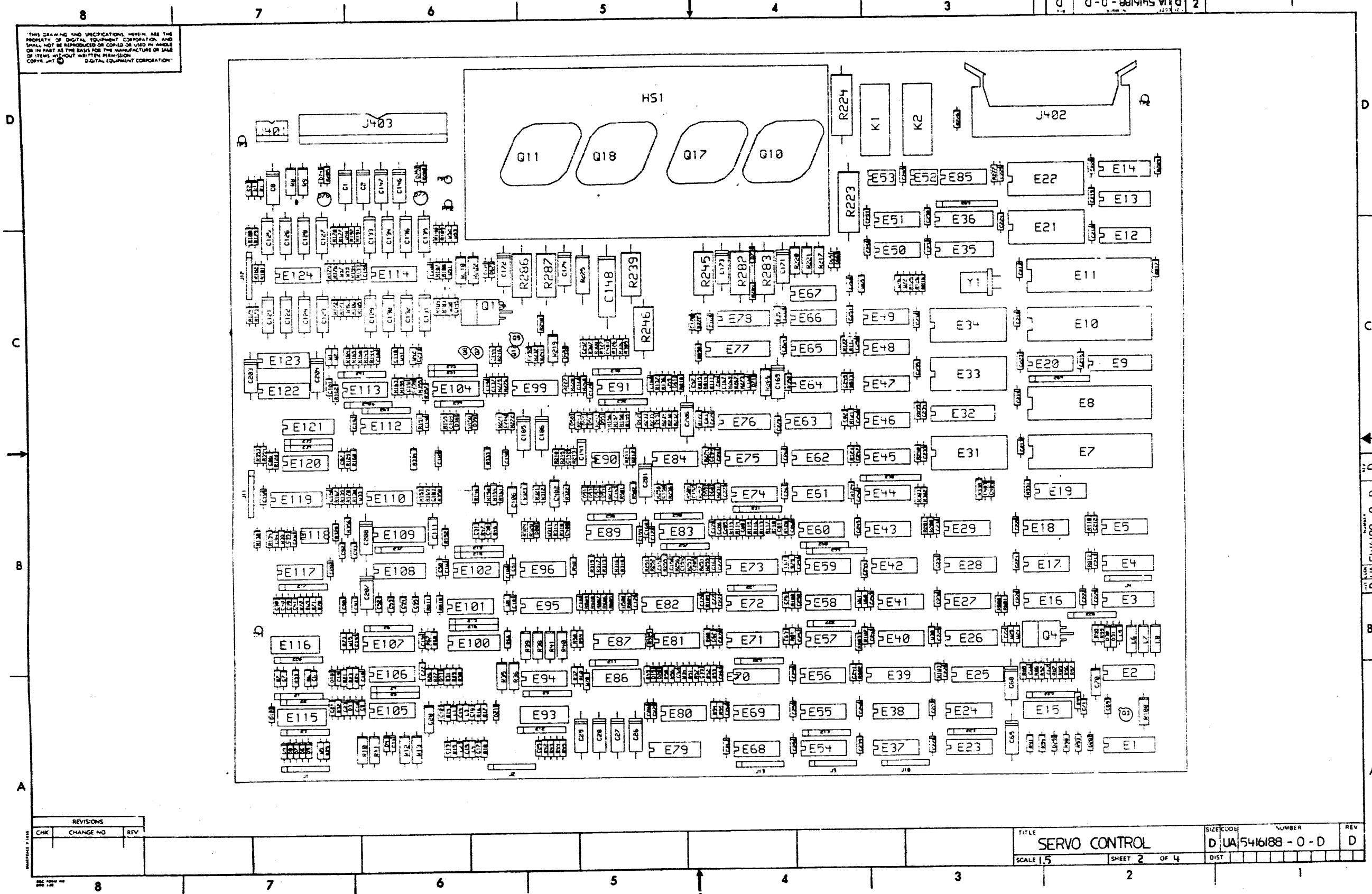
TITLE: SERVO CONTROL
 SIZE: CODE 1 NUMBER 1 REV 1
 SHEET 1 OF 4
 TOP DOC NO: K-00-5416188-0-0
 WO# 4005820

DUA 5416188-0-D

1 of 4

D U A 5416188 - 0 - D 2

THIS DRAWING AND SPECIFICATIONS HEREIN ARE THE PROPERTY OF DIGITAL EQUIPMENT CORPORATION AND SHALL NOT BE REPRODUCED OR COPIED OR USED IN WHOLE OR IN PART AS THE BASIS FOR THE MANUFACTURE OR SALE OF ITEMS WITHOUT WRITTEN PERMISSION.
COPYRIGHT © DIGITAL EQUIPMENT CORPORATION



REV D
D U A 5416188 - 0 - D

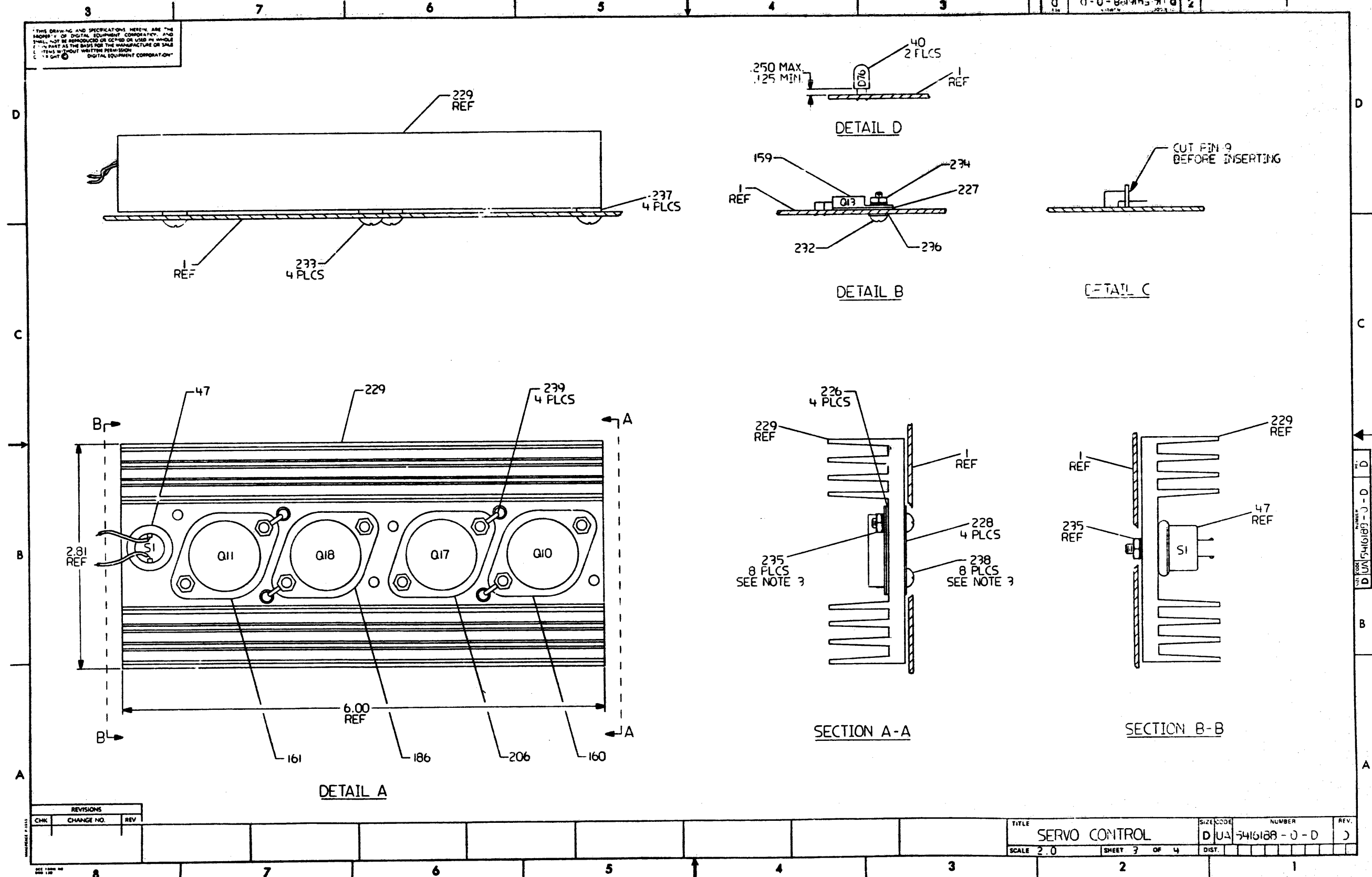
D U A 5416188 - 0 - D
2 of 4

REVISIONS		
CHK	CHANGE NO	REV

TITLE	SIZE CODE	NUMBER	REV
SERVO CONTROL	D U A 5416188 - 0 - D	D	D
SCALE 1.5	SHEET 2 OF 4	DIST	

THIS DRAWING AND SPECIFICATIONS HEREIN ARE THE PROPERTY OF DIGITAL EQUIPMENT CORPORATION, AND SHALL NOT BE REPRODUCED OR COPIED OR USED IN WHOLE OR IN PART AS THE BASIS FOR THE MANUFACTURE OR SALE OF ITEMS WITHOUT WRITTEN PERMISSION OF DIGITAL EQUIPMENT CORPORATION.

0 0-0-881188-0 2



REVISIONS		
CHK.	CHANGE NO.	REV.

TITLE: SERVO CONTROL
 SCALE: 2.0
 SHEET: 3 OF 4
 SIZE CODE: D U A
 NUMBER: 5416188-0-D
 DIST.:

DUA 5416188-0-D

3 of 4

THIS DRAWING AND THE SPECIFICATIONS CONTAINED HEREIN ARE CONFIDENTIAL AND PROPRIETARY TO THE U.S. PROPERTY OF DIGITAL EQUIPMENT CORPORATION AND SHALL NOT BE REPRODUCED OR COPIED IN WHOLE OR IN PART AS THE BASIS FOR THE MANUFACTURE OF ANY ITEM WITHOUT WRITTEN PERMISSION. THIS IS AN UNCLASSIFIED DOCUMENT UNDER THE FEDERAL COPYRIGHT LAW. COPYRIGHT © DIGITAL EQUIPMENT CORPORATION

5416188-CX005

COMPONENT DELETES
 5-1 DELETE E8
 5-2 DELETE E10
 5-3 DELETE E33
 5-4 DELETE E34

COMPONENT ADDS
 5-5 ADD E8 (23095B9-00)
 5-6 ADD E10 (23094B9-00)
 5-7 ADD E33 (23069E3-00)
 5-8 ADD E34 (23068E3-00)

PART MARKING
 5-9 AFTER ABOVE REWORK MARK MODULE PART REV D1

5416188-CX010

COMPONENT DELETES
 10-1 DELETE K1

WIRE ADDS
 10-2 ADD WIRE FROM K1 PIN 1 TO K1 PIN 3.

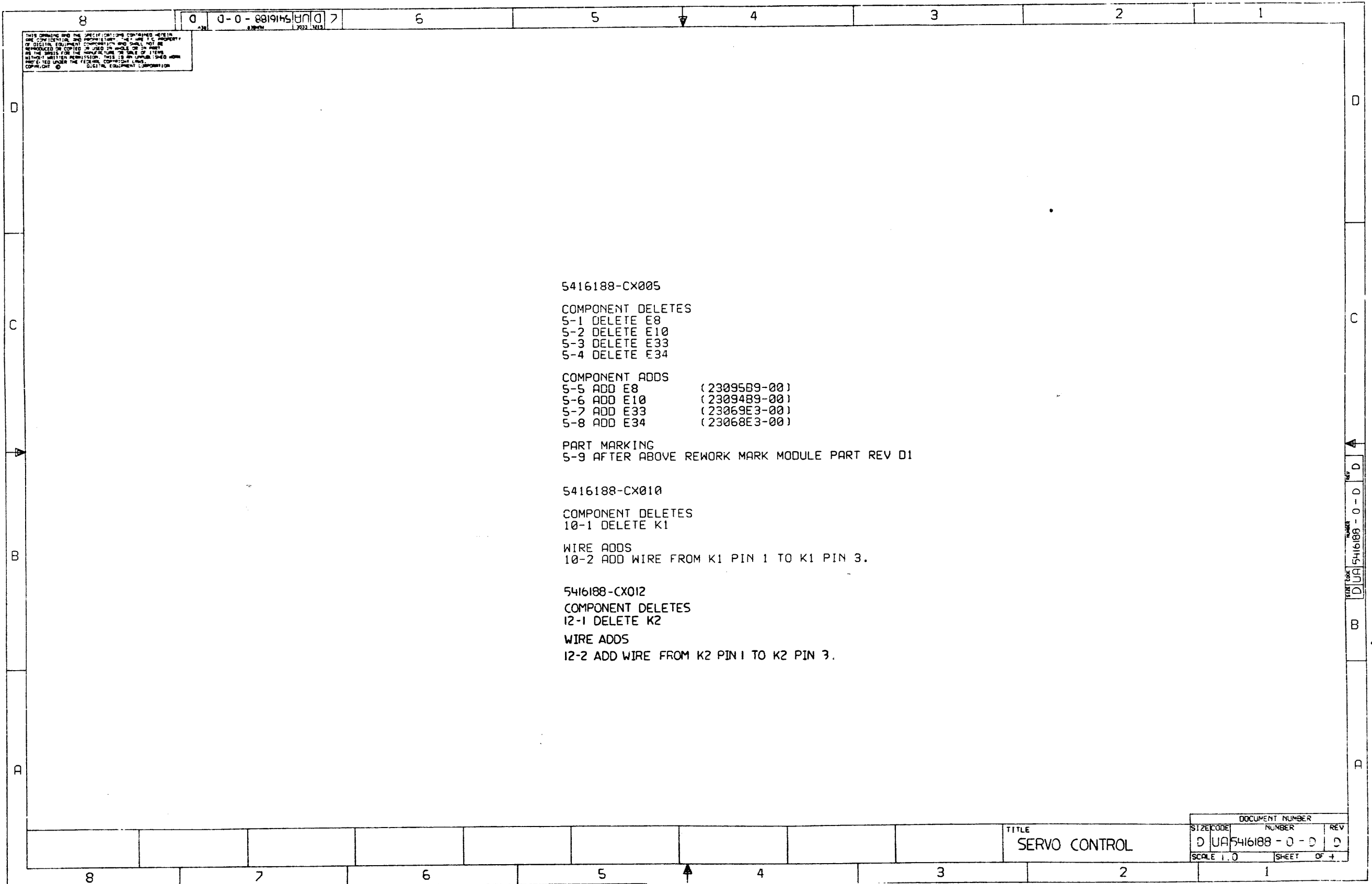
5416188-CX012

COMPONENT DELETES
 12-1 DELETE K2

WIRE ADDS
 12-2 ADD WIRE FROM K2 PIN 1 TO K2 PIN 3.

D-UA 5416188-0-D

4 of 4



TITLE
 SERVO CONTROL

SIZE/SCALE	DOCUMENT NUMBER	REV
D UA	5416188-0-D	D
SCALE 1:0	SHEET OF 4	

LINE ITEM	TOP DOCUMENT	PART NUMBER	MIN REV	DESCRIPTION	QTY PER VAR/REV	REFERENCE DESIGNATORS
1	1 K-DD-5016187-0-0	50-16187-01	D	DRILL AND ETCH	1	
2	2	10-00037-00		0.22 MFD 100V +/-10% MYLAR	1	C148
3	3	10-01610-00		0.010MFD 50V +80/-20% Z5U C	52	C18,C66,C67,C166,C169, CONT C177-C180,C187,C188,C201,C202, CONT C213,C214,C216,C217,C220,C222, CONT C226-C232,C240,C243,C246,C248, CONT C250,C252,C254-C257,C259,C261, CONT C262,C266-C268,C270-C274,C276, CONT C278,C279,C282,C291
4	4	10-02425-00		5.0 PFD 100V +/- 5% 200PP	1	C141
5	5	10-05965-00		0.47MFD 35V +/-10% SOL	2	C20,C70
6	6	10-09312-00	4700	PFD 100V +/- 1% POLYP	16	C121-C136
7	7	10-12784-00		0.047MFD 50V +80/-20% Z5U C	36	C10,C11,C23,C72,C77,C153,C156, CONT C175,C176,C181,C182,C189-C200, CONT C211,C218,C225,C233,C236,C237, CONT C242,C260,C265,C269,C275,C277, CONT C283
8	8	10-13466-01	10	PFD 50V +/- 5% NPO C	7	C80-C82,C154,C157,C158,C205
9	9	10-13466-02	18	PFD 50V +/- 5% NPO C	4	C38-C41
10	10	10-13466-05	56	PFD 50V +/- 5% NPO C	2	C16,C17
11	11	10-13466-06	100	PFD 50V +/- 5% NPO C	4	C62,C63,C290,C293
12	12	10-13466-07	220	PFD 50V +/- 5% NPO C	2	C30,C31
13	13	10-13466-08	680	PFD 50V +/-10% X7R C	1	C71
14	14	10-13466-12	2200	PFD 50V +/-10% X7R C	2	C76,C142
15	15	10-13466-16		0.010MFD 50V +/-10% X7R C	4	C9,C21,C25,C69
16	16	10-13466-17	150	PFD 50V +/- 5% NPO C	1	C95
17	17	10-13466-19	470	PFD 50V +/- 5% NPO C	1	C401
18	18	10-13465-23	22	PFD 50V +/- 5% NPO C	1	C33
19	19	10-13466-24	47	PFD 50V +/- 5% NPO C	4	C14,C15,C109,C297
20	20	10-13466-26	120	PFD 50V +/- 5% NPO C	2	C170,C294
21	21	10-13466-28	1000	PFD 50V +/- 5% NPO C	5	C6,C7,C61,C403,C404
22	22	10-13466-29	1500	PFD 50V +/- 5% NPO C	4	C12,C13,C280,C292

REVISION HISTORY			KPL MODULE FORMAT: SECTION A OF A		DRN: SUE BOURBEAU	DIGITAL			
ENG	ECO NUMBER	REV	SECTION/VARIATION INDEX		DATE: 25-JUN-85	TITLE PARTS LIST			
ML	5416188-CX003	A	[A] 01	[M]	CHK'D: SUE BOURBEAU	SERVO CONTROL			
ML	5416188-CX006	B	[B]	[N]	DATE: 25-JUN-85				
ML	5416188-CX007	C	[C]	[P]	DES. ENG: MARK LEAPER				
ML	5416188-CX009	D	[D]	[Q]	DATE: 25-JUN-85	DOCUMENT NUMBER			
AM	5416188-CX010	E	[E]	[R]		SIZE	CODE	NUMBER	REV
CW	5416188-CX011	F	[F]	[S]	RESP. ENG.: MARK LEAPER	K	PL	5416188-0-DBPD	H
AM	5416188-CX012	H	[H]	[T]	DATE: 25-JUN-85				
			[J]	[V]					
			[K]	[W]	MFG. ENG: DON KILDEBECK	RELEASE DATE: 09-SEP-87			
			[L]	[Y]	DATE: 25-JUN-85	RELEASE STATUS: RELEASED			
BASIC PART NUMBER:			ASSEMBLY NUMBER:		TOP DOCUMENT NUMBER:		FILE NAME:		EDIT #
5416188			D-UA-5416188-0-D		K-DD-5416188-0-0		CX347H.PLS		2

"THIS DRAWING AND THE SPECIFICATIONS CONTAINED HEREIN ARE CONFIDENTIAL AND PROPRIETARY. THEY ARE THE PROPERTY OF DIGITAL EQUIPMENT CORPORATION AND SHALL NOT BE REPRODUCED OR COPIED OR USED IN WHOLE OR IN PART AS THE BASIS FOR THE MANUFACTURE OR SALE OF ITEMS WITHOUT WRITTEN PERMISSION. THIS IS AN UNPUBLISHED WORK PROTECTED UNDER THE FEDERAL COPYRIGHT LAWS."

LINE	ITEM	TOP DOCUMENT	PART NUMBER	MIN REV	DESCRIPTION	QTY	PER VAR/REV	REFERENCE DESIGNATORS
						01		
						D13		
23	23		10-13466-42	4700	PFD 50V +/- 2% NPO C	1		C111
24	24		10-13466-43	0.010	MFD 50V +/- 5% X7R C	1		C83
25	25		10-13466-45	220	PFD 50V +/- 1% NPO C	4		C52-C55
26	26		10-13466-46	0.047	MFD 50V +/-10% X7R C	1		C400
27	27		10-13466-48	0.12	MFD 50V +/- 5% X7R C	2		C106,C402
28	28		10-13466-50	680	PFD 50V +/- 5% NPO C	1		C94
29	29		10-15573-00	0.027	MFD 50V +/- 5% X7R C	3		C19,C84,C161
30	30		10-15573-01	5600	PFD 50V +/- 5% X7R C	4		C32,C102,C143,C168
31	31		10-16009-01	2200	PFD 50V +/- 2% NPO C	4		C90-C93
32	32		10-27452-01	10	MFD 35V +75/-10% ALU	24		C1,C2,C8,C26-C29,C65,C68,C146, CONT C147,C165,C171-C174,C185,C186, CONT C203,C204,C206-C208,C281
33	33		11-00122-00	VZ= 3.9	5% 400 MW 1N748A	2		D1,D28
34	34		11-00125-00	VZ= 10.0	5% 400 MW 1N758A	4		D52,D54,D56,D58
35	35		11-05275-00	PIV= 60	I0=300 MA -15NS	24		D11,D12,D19-D21,D29,D45,D51, CONT D53,D55,D57,D59-D63,D65-D68, CONT D73-D75,D80
36	36		11-05871-00	VZ= 5.15	1% 250 MW	2		D4,D71
37	37		11-09977-00	VZ= 4.3	5% 1N749A	1		D2
38	38		11-09991-01	VZ= 6.8	1% 400 MW D	1		D3
39	39		11-13003-00	PIV= 55	I0=200 MA - 4NS 1N5282	6		D5-D10
40	40		11-14384-00	LED	105MW 35MA GREEN	2		D76,D77
41	41		11-16824-00	VARICAPS,	PIV= 3 400MW 1N5	2		D30,D31
42	42		11-18548-00	SS ARRAY	WIV= 50 IF= 350MA 8DI	2		E87,E100
43	43		12-12204-13	PCB HEADER	16PIN(1X16).156CC 90D	1		J403
44	44			*** THIS ITEM IS NOT USED ***		-		
45	45		12-12965-01	PCB,HEADER	10PIN(2X05).100CC 90D	1		J401
46	46		12-16832-02	PCB,HEADER	40POS(2X20).100CC 90D	1		J402
47	47		12-16869-00	THERMOSTAT,	74 C	1		S1
48	48		12-18911-00	*** THIS ITEM IS NOT USED ***		-		
49	49		13-00219-00	68.0	.25 W 5.0 % CF	1		R27
50	50		13-00247-00	120.0	.25 W 5.0 % CF	3		R817,R898,R899
51	51		13-00338-00	560.0	.50 W 5.0 % CF	2		R10,R11
52	52		13-00308-00	390.0	.50 W 5.0 % CF	3		R40,R41,R266
53	53		13-00316-00	470.0	.25 W 5.0 % CF	4		R54-R56,R818
54	54		13-00365-00	1.0	K .25 W 5.0 % CF	11		R53,R107,R175,R181,R226,R280, CONT R281,R285,R288,R331,R801
55	55		13-00411-00	2.0	K .25 W 1.0 % RN55D-F10	1		R307
56	56		13-00432-00	3.0	K .25 W 5.0 % CF	2		R98,R99
57	57		13-00444-00	3.90	K .25 W 5.0 % CF	2		R115,R119
58	58		13-00447-00	4.70	K .25 W 5.0 % CF	18		R110,R112,R125-R127,R216,R242, CONT R243,R351,R352,R800,R802,R803, CONT R812-R816
59	59		13-00479-00	10.0	K .25 W 5.0 % CF	12		R176,R182,R230,R233,R234,R240, CONT R302,R303,R353,R354,R501,R504
60	60		13-00496-00	15.0	K .25 W 5.0 % CF	2		R88,R89
61	61		13-00554-00	470.0	K .50 W10.0 % CF	1		R220
62	62		13-01317-00	10.0	.25 W 5.0 % CF	2		R45,R284
63	63		13-01422-00	7.50	K .25 W 5.0 % CF	1		R46
64	64		13-01837-00	1.21	K .50 W 1.0 % RN60C-F 5	2		R35,R36

D	I	G	I	T	A	L	TITLE	SECTION A	OF A	SIZE	CODE	DOCUMENT NUMBER	REV
							SERVO CONTROL			K	PL	5416188-0-DBPD	H

LINE	ITEM	TOP DOCUMENT	PART NUMBER	MIN REV	DESCRIPTION	QTY PER VAR/REV	REFERENCE DESIGNATORS
111	111		13-13344-00	75.0 K	.25 W 1.0 % RN55D-F10	2	R47,R111
112	112		13-13588-00	768.0	.25 W 1.0 % RN55D-F10	1	R187
113	113		13-13589-00	1.40 K	.25 W 1.0 % RN55D-F10	2	R58,R59
114	114		13-13594-00	14.0 K	.25 W 1.0 % RN55D-F10	4	R177-R180
115	115		13-13596-00	20.0 K	.25 W 1.0 % RN55D-F10	13	R139,R164-R166,R171-R174,R210, CONT R212,R322,R502,R804
116	116		13-13152-00	60.40 K	.25 W 1.0 % RN55D-F10	1	R323
117	117		13-13775-00	80.60 K	.25 W 1.0 % RN55D-F10	1	R95
118	118		13-13840-00	4.53 K	.25 W 1.0 % RN55D-F10	1	R312
119	119		13-13842-00	48.70 K	.25 W 1.0 % RN55D-F10	6	R151,R153,R167,R169,R170,R306
120	120		13-13845-00	3.09 K	.25 W 1.0 % RN55D-F10	2	R196,R199
121	121		13-13846-00	2.26 K	.25 W 1.0 % RN55D-F10	2	R37,R60
122	122		13-14041-00	3.01 K	.25 W 1.0 % RN55D-F10	1	R66
123	123		13-14120-00	78.70 K	.25 W 1.0 % RN55D-F10	1	R357
124	124			*** THIS ITEM IS NOT USED ***		-	
125	125		13-14187-00	6.19 K	.25 W 1.0 % RN55D-F10	1	R137
126	126		13-14251-00	61.90 K	.25 W 1.0 % RN55D-F10	1	R259
127	127		13-14397-00	9.53 K	.25 W 1.0 % RN55D-F10	1	R320
128	128		13-14988-00	6.65 K	.25 W 1.0 % RN55D-F10	2	R355,R356
129	129		13-14989-00	11.30 K	.25 W 1.0 % RN55D-F10	4	R183-R186
130	130		13-15240-00	.10	3.0 W 1.0 % WW	1	R225
131	131		13-16254-00	R. NET	470.0 - 7 2.0	3	Z23,Z26,Z29
132	132		13-16254-01	R. NET	4.7K- 7 2.0	3	Z13,Z21,Z22
133	133		13-16254-02	R. NET	1.0K- 7 2.0	1	Z15
134	134		13-16334-02	R. NET	10.0K- 9 2.0	1	Z59
135	135		13-16395-00	R. NET	4.7K- 9 2.0	3	Z30,Z64,Z65
136	136		13-16541-00	54.90 K	.25 W 1.0 % RN55D-F10	1	R314
137	137		13-16839-00	715.0	.25 W 1.0 % RN55D-F10	1	R48
138	138		13-17033-00	16.0 K	.25 W 5.0 % CF	1	R358
139	139		13-17183-03	115.0 K	.25 W 1.0 % RN55D-F10	2	R21,R33
140	140		13-17398-00	4.22 K	.25 W 1.0 % RN55D-F10	1	R25
141	141		13-17404-00	249.0	.25 W 1.0 % RN55D-F10	1	R42
142	142		13-18150-08	3.24 K	.25 W 1.0 % RN55D-F10	1	R313
143	143		13-18150-13	9.31 K	.25 W 1.0 % RN55D-F10	1	R319
144	144		13-18532-00	R. NET	100.0 - 4 2.0	7	Z2,Z5,Z9,Z11,Z12,Z20,Z25
145	145		13-18532-01	R. NET	1.0K- 4 2.0	2	Z1,Z37
146	146		13-18532-03	R. NET	3.0K- 4 2.0	1	Z16
147	147		13-18532-04	R. NET	5.1K- 4 2.0	1	Z4
148	148		13-18532-05	R. NET	10.0K- 4 2.0	8	Z6,Z38,Z52,Z56-Z58,Z60,Z63
149	149		13-18532-06	R. NET	51.0K- 4 2.0	3	Z51,Z54,Z55
150	150		13-18532-07	R. NET	100.0K- 4 2.0	1	Z17
151	151		13-18533-00	R. NET	20.0K- 4 2.0	5	Z31,Z34,Z35,Z40,Z41
152	152		13-18534-00	R. NET	14.7K- 4 .0	3	Z3,Z18,Z19
153	153		13-18546-08	19.10 K	.25 W 1.0 % RN55D-F10	1	R138
154	154		13-18546-21	113.0 K	.25 W 1.0 % RN55D-F10	1	R159
155	155		13-18546-29	182.0 K	.25 W 1.0 % RN55D-F10	1	R134
156	156		13-19471-01	10.0	2.0 W 5.0 % M.OXIDE	4	R282,R283,R286,R287
157	157		13-20415-03	*** THIS ITEM IS NOT USED ***		-	
158	158		15-09900-00	2N 4859	FET 360MW SIN CHNNL	1	Q9
159	159		15-10421-00	D 44C8	NPN 30WT SI 60 20	1	Q13

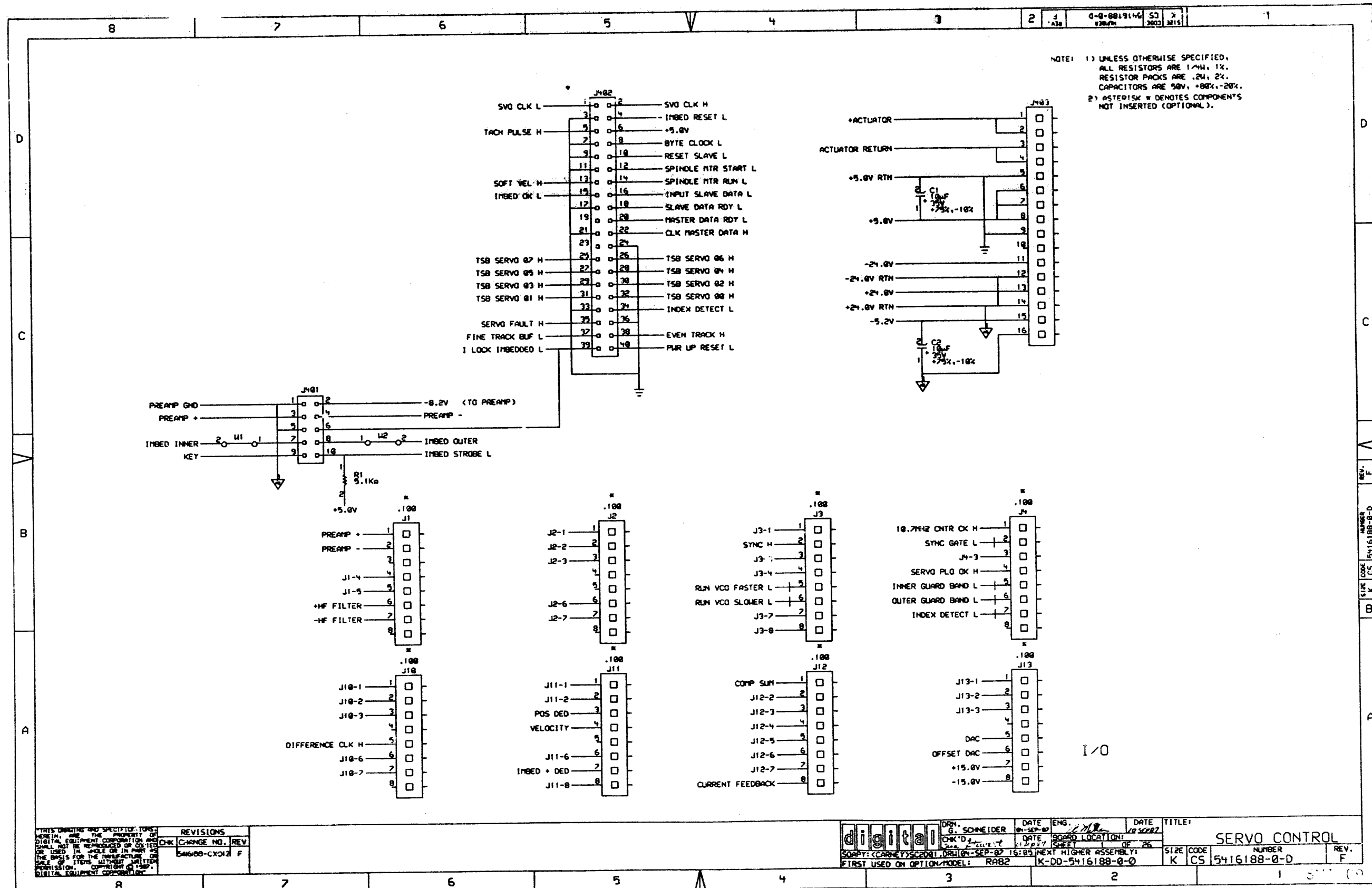
! D !	! I !	! G !	! I !	! T !	! A !	! L !	TITLE	! SECTION A OF A !	! SIZE !	! CODE !	DOCUMENT NUMBER	! REV !
! !	! !	! !	! !	! !	! !	! !	SERVO CONTROL	! !	! K !	! PL !	5416188-0-DBPD	! H !
! !	! !	! !	! !	! !	! !	! !		! !	! !	! !		! !

LINE	ITEM	TOP DOCUMENT	PART NUMBER	MIN REV	DESCRIPTION	QTY PER VAR/REV	REFERENCE DESIGNATORS
						01 D13	
160	160		15-11282-00		MJ2500 PNP 150WC SI 60 5 1K 5A	1	Q10
161	161		15-11349-00		TIP 640 (OR MJ3000) NPN DARLNGT	1	Q11
162	162		15-13489-00		2N 4401 NPN 350MW SI 40 20	2	Q7,Q12
163	163		15-13490-00		2N 4403 PNP 350MW SI-40 30	1	Q8
164	164		15-17999-00		3906 PNP 900MW ARRAY 14PIN	3	E94,E96,E101
165	165		15-19472-01		2N 4209 PNP 300MW 15VQ50MA	1	Q3
166	166		16-09756-00		2.2 UH 10% 760MA #DD2.20	2	L1,L2
167	167		16-12946-00		10.0 UH 10% Q MIN=55Q7.9MHZ	2	L3,L4
168	168		16-16879-00		INDUCTOR 1.12UH 1% 370MA	1	L5
169	169		16-18544-00		DELAY= 250NS, 5TAPS	2	E68,E69
170	170		18-12396-05		XTAL 6.144 MHZ	1	Y1
171	171		19-10268-00		DEC 75107B RECEIVER,LINE,DUAL,2	1	E80
172	172		19-10406-00		75451 DRIVER,PERIPH,DUAL,A	2	E52,E53
173	173		19-10532-00		74S00 NAND GATE-QUAD 2IN	1	E55
174	174		19-10533-00		74S03 NAND GATE-QUAD 2IN,0	1	E24
175	175		19-10534-00		74S04 INVERTER GATE-HEX 1I	3	E29,E41,E85
176	176		19-10536-00		74S10 NAND GATE-TRIPLE 3IN	1	E38
177	177		19-10537-00		74S11 AND GATE-TRIPLE 3INP	1	E56
178	178		19-10540-00		74S22 NAND GATE-DUAL 4INPU	1	E23
179	179		19-10544-00		74S74 FF-D DUAL,EDGE TRIGG	3	E27,E54,E57
180	180		19-10544-01		74S74-60GG-D DUAL,EDGE TRIG	1	E44
181	181		19-10644-00		733 DIFFERENTIAL AMP,WID	1	E105
182	182		19-10741-00		7406 INVERTER GATE-HEX 1I	1	E70
183	183		19-11415-00		10125 ECL TO TTL TRNSLTR	1	E16
184	184		19-11629-00		1408L8 DAC, 8BIT	2	E75,E78
185	185		19-12108-00		LM339 VOLT CMPRTR,QUAD	4	E74,E83,E84,E91
186	186		19-12792-01		7915CKVOLT REG,FIX -15V	1	Q18
187	187		19-12799-00		LS00 NAND-GATE-QUAD 2IN,P	4	E42,E43,E47,E66
188	188		19-12803-00		LS04 INVERTER GATE,HEX	3	E20,E46,E49
189	189		19-12805-00		LS08 AND GATE-QUAD 2IN,PO	1	E50
190	190		19-12807-00		LS10 NAND GATE-TRIPLE 3IN	1	E67
191	191		19-12808-00		LS11 AND GATE-TRIPLE 3IN	1	E64
192	192		19-12810-00		LS20 NAND GATE-DUAL 4IN	1	E60
193	193		19-12816-00		LS32 OR GATE-QUAD 2IN,POS	3	E51,E59,E63
194	194		19-12824-00		LS74 FF-D DUAL,EDGE TRIGG	8	E5,E37,E40,E45,E48,E58,E65,E81
195	195		19-12834-00		LS112 FF-JK,DUAL,EDGE TRIG	1	E4
196	196		19-12837-00		LS123 ONE SHOT-DUAL,RETRIG	3	E72,E73,E76
197	197		19-12842-00		LS138 DECODER-THREE INPUT,	2	E12,E13
198	198		19-12849-00		LS161 COUNTER,SYNCHR,4BIT	2	E19,E26
199	199		19-12850-00		LS164 SHIFT REG. 8BIT SERI	1	E17
200	200		19-12858-00		LS221 ONE SHOT-DUAL,SCHMIT	1	E71
201	201		19-12863-00		LS273 FF-D OCTAL W/CLEAR	1	E39
202	202		19-13017-00		3046 XSISTOR ARRAY,3 ISOL	5	E15,E86,E93,E115,E116
203	203		19-13035-02	LM	308ANOP AMP GEN PURP. COM	2	E90,E118
204	204		19-13667-00	DP	8212N BUFFER 8 BIT TRISTAT	2	E21,E22
205	205		19-14086-00		74S30 NAND GATE-POS 8IN	1	E18
206	206		19-14473-00	DEC	7815 VOLT REG,FIX +15V	1	Q17
207	207		19-14485-02	TL	084B OP AMP,QUAD,JFET	11	E89,E99,E102,E104,E106,E110, CONT E113,E114,E117,E120,E124
208	208		19-15218-00		LS245 TRANSCEIVER,BUS,OCTA	1	E9

D	I	G	I	T	A	L	TITLE	SECTION A	OF A	SIZE	CODE	DOCUMENT NUMBER	REV
							SERVO CONTROL			K	PL	5416188-0-DBPD	H

LINE	ITEM	TOP DOCUMENT	PART NUMBER	MIN REV	DESCRIPTION	QTY PER VAR/REV	REFERENCE DESIGNATORS
						01 D13	
209	209		19-15219-00		LS373 FF-D OCTAL-TRANSPARE	1	E32
210	210		19-16079-00		8253-5TIMER,PROGRAMMABLE I	1	E31
211	211		19-16574-00		10114 RECEIVER,LINE,TRIPLE	1	E3
212	212		21-14212-00	P	2114-2 RAM,1024X4,STATIC	2	E35,E36
213	213		21-14963-00	P	2114-2 RAM,1024X4,STATIC	1	E11
214	214		21-16960-00		UP,8-BIT NMOS	1	E7
215	215		21-19304-01		2K MOS RAM 400NS 4	1	E77
216	216		21-19305-01		0804 ADC,8-BIT DIFFERENTI	8	E82,E107-E109,E112,E119,E121, CONT E122
217	217		23-94B9 -00		201 SWITCH,ANALOG QJAD	1	E10
218	218		23-68E3 -00	B9-02		1	E34
219	219		23-391A1-00	E3-03		1	E25
220	220		23-322A1-00	A1-07		1	E28
221	221		23-323A1-00	A1-07		1	E62
222	222		23-324A1-00	A1-07		1	E61
223	223		23-325A1-00	A1-07		1	E14
224	224		90-07791-00	A1-07		3	P1,P2,TP1
225	225		90-09185-00		TERM PCB 2POS SOLDER,TURRET	23	W1,W2,W5,W8,W15,W24,W30,W33, CONT W38,W41,W42,W47,W49,W51,W53, CONT W59,W60,W65,W77,W78,W158,W311, CONT W500
226	226		12-13071-02		JUMPER, WIRE, INSULATED, BLACK B	4	
227	227		12-13071-06		INSULATOR,RUBBER SILICONE SM	1	
228	228		12-15580-00		INSULATOR,RUBBER SILICONE	4	
229	229		12-16833-00		INSULATOR,MOLDED	1	
230	230		48-50018-01		HEAT SINK,EXTRUSION 06.00X02.8	A/R	
231	231		49-01259-00		MYLAR ,.003"	A/R	
232	232		90-06010-01		ADHESIVE,ETHYL CYANOACRYLATE,KIT	1	
233	233		90-06022-01		SCREW,MACH PAN PHIL 4-	4	
234	234		90-06557-00		SCREW,MACH PAN PHIL 6-	1	
235	235		90-06560-00		NUT,HEX EXT TOOTH LCKWSHR 4-40	9	
236	236		90-06655-00		NUT,HEX EXT TOOTH LCKWSHR 6-32	1	
237	237		90-06656-00		WASHER,FLAT SST	4	
238	238		90-07793-01		WASHER,FLAT STEEL	8	
239	239		90-09676-00		SCREW,MACH PAN PHIL 6-	4	
240	240		12-15006-06		TERM,SOLDER BARRIER STR	2	XE33,XE34
241	241		12-15006-08		SKT,IC 24PIN DIP TIN SOLD	2	XE8,XE10
242	242		13-13342-00		SKT,IC 40PIN DIP TIN SOLD	1	R108
243	243				*** THIS ITEM IS NOT USED ***	-	
244	244		13-09415-00		18.70 K .25 W 1.0 % RN55D-F10	1	R255
245	245		13-11594-00		11.50 K .25 W 1.0 % RN55D-F10	1	R330
246	246		13-12452-00		30.10 K .25 W 1.0 % RN55D-F10	1	R154
247	247		13-18150-17		3.74 K .25 W 1.0 % RN55D-F10	3	R23,R24,R334
248	248		13-18546-65		34.0 K .25 W 1.0 % RN55D-F10	1	R333
249	249		13-05423-00		909.0 K .25 W 1.0 % RN55D-F10	1	R160
250	250		23-95B9 -00		226.0 K .25 W 1.0 % RN55D-F10	1	E8
251	251		23-69E3 -00	B9-02		1	E33
252	252		13-18341-15	E3-03		1	R51
253	253		13-00347-00		191.0 .25 W 1.0 % RN55D-F10	2	R12,R13
254	254		91-05740-55		680.0 .50 W 5.0 % CF	A/R	

D	I	G	I	T	A	L	TITLE	SECTION A OF A	SIZE	CODE	DOCUMENT NUMBER	REV
							SERVO CONTROL		K	PL	5416188-0-DBPD	H

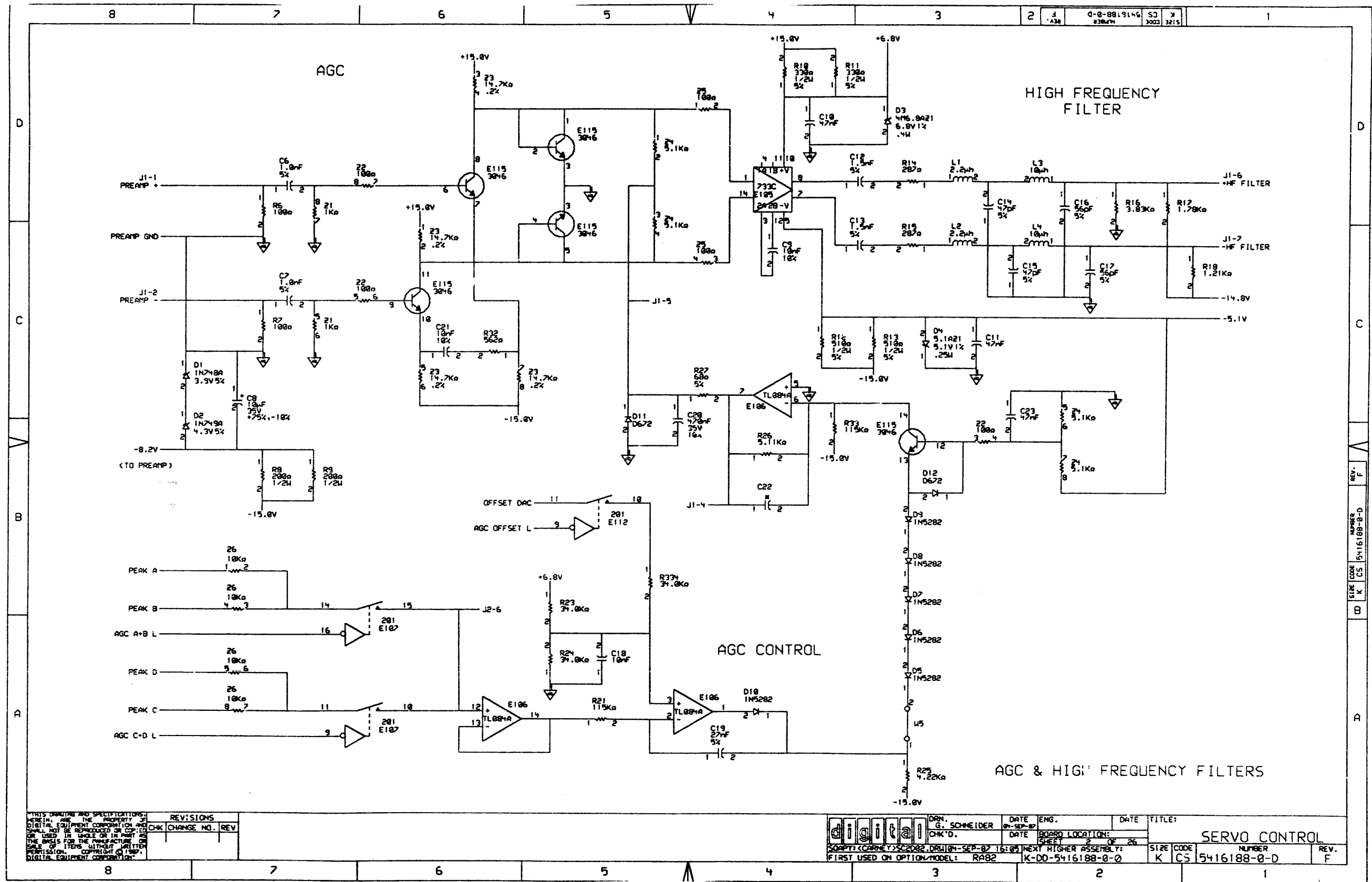


THIS DRAWING AND SPECIFICATIONS HEREIN ARE THE PROPERTY OF DIGITAL EQUIPMENT CORPORATION AND SHALL NOT BE REPRODUCED OR COPIED OR USED IN WHOLE OR IN PART AS THE BASIS FOR THE MANUFACTURE OR SALE OF ITEMS WITHOUT WRITTEN PERMISSION. COPYRIGHT © 1987 DIGITAL EQUIPMENT CORPORATION

REVISIONS	
CHK	CHANGE NO. REV
54608-CX012	F

digital	DRN	G. SCHNEIDER	DATE	ENG.	DATE	TITLE
	CHK'D	DATE	DATE	DATE	DATE	DATE
COPY: (CANNY) SC001		DRN	SEP-87	16:05	NEXT HIGHER ASSEMBLY:	SIZE
FIRST USED ON OPTION MODEL:		RAB2	K-DD-5416188-0-0	26	OF	26

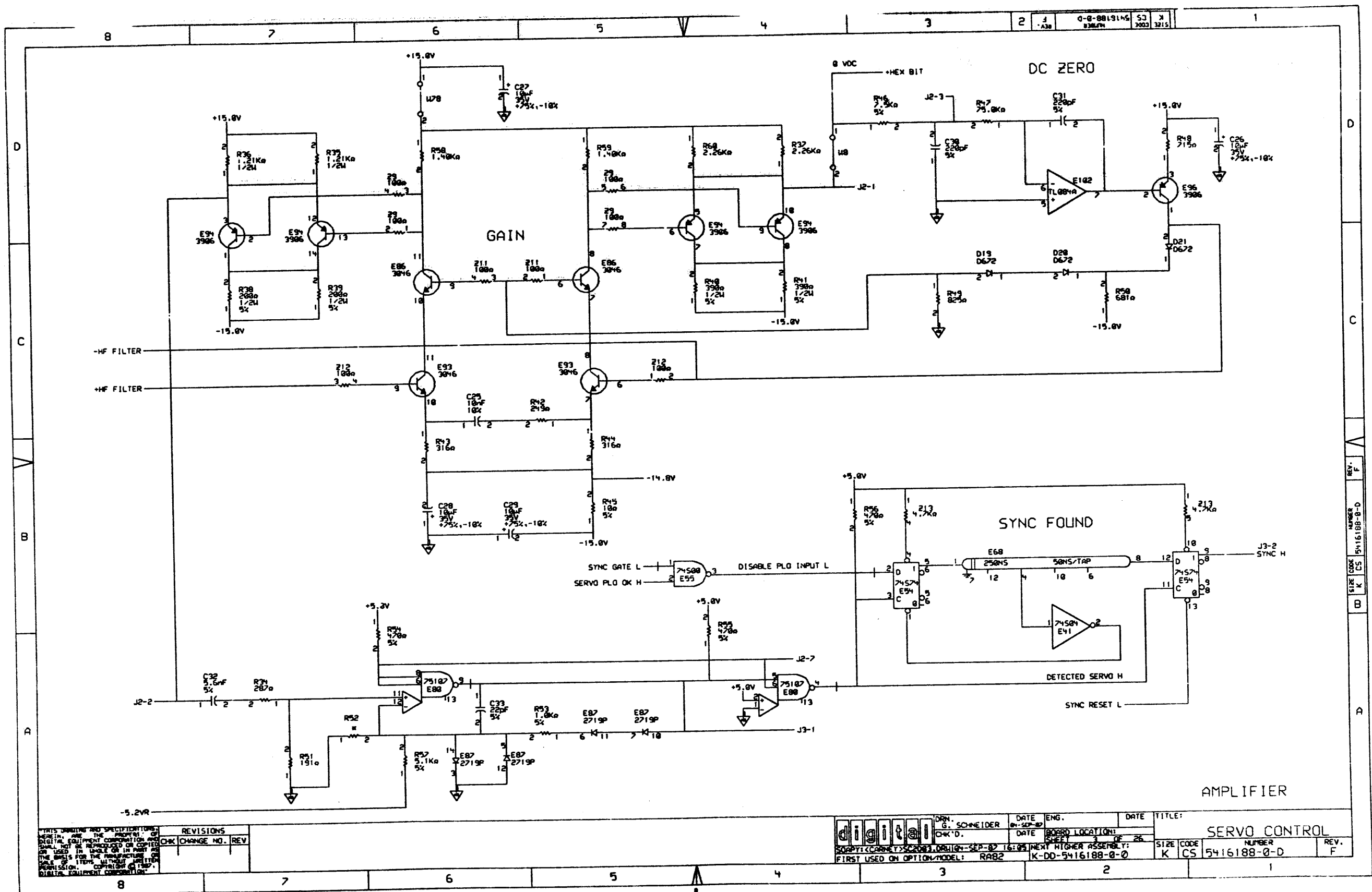
SERVO CONTROL	
SIZE	CODE
K	CS
NUMBER	REV.
5416188-0-D	F



THIS DRAWING AND SPECIFICATIONS ARE THE PROPERTY OF DIGITAL EQUIPMENT CORPORATION AND SHALL NOT BE REPRODUCED OR COPIED IN WHOLE OR IN PART OR USED IN ANY MANNER AS THE BASIS FOR THE MANUFACTURE OR SALE OF ITEMS WITHOUT WRITTEN PERMISSION. COPYRIGHT © 1967 DIGITAL EQUIPMENT CORPORATION.

REVISIONS	
CHK	CHANGE NO. REV

	DRN: G. SCHNEIDER	DATE: 09-SEP-67	ENG:	DATE:	TITLE:
	CHK'D:	DATE:	BOARD LOCATION:	SHEET: 2 OF 26	SERVO CONTROL
FIRST USED ON OPTION MODEL: RAB2		NEXT HIGHER ASSEMBLY: K-DD-5416188-0-0		SIZE CODE: K CS	NUMBER: 5416188-0-D
				REV.:	F

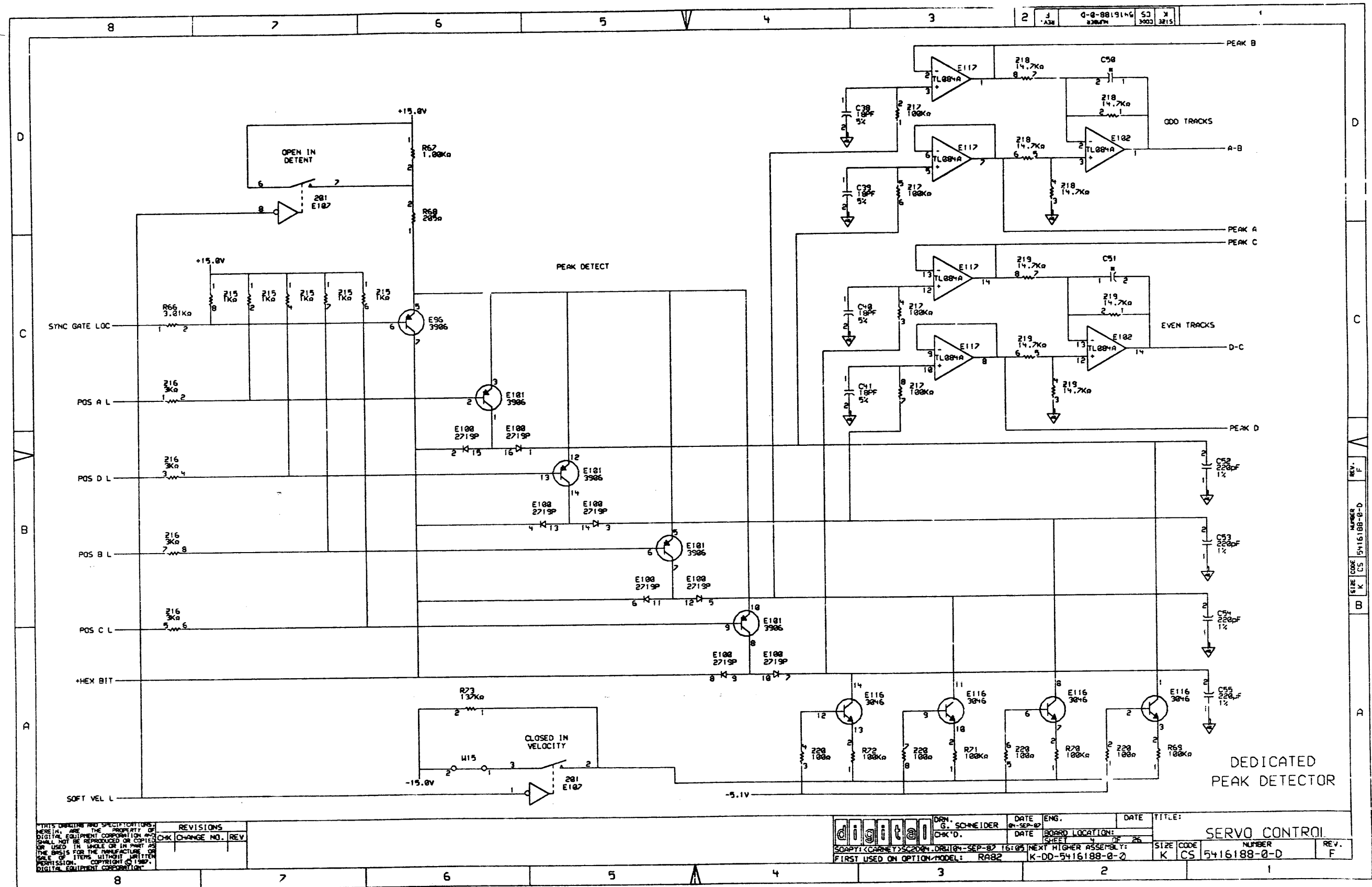


THIS DRAWING AND SPECIFICATIONS ARE THE PROPERTY OF DIGITAL EQUIPMENT CORPORATION AND SHALL NOT BE REPRODUCED OR COPIED IN ANY MANNER OR IN ANY MEDIUM WITHOUT THE WRITTEN PERMISSION OF DIGITAL EQUIPMENT CORPORATION.

CHK	CHANGE NO.	REV

REVISIONS	DATE	ENG.	DATE	TITLE

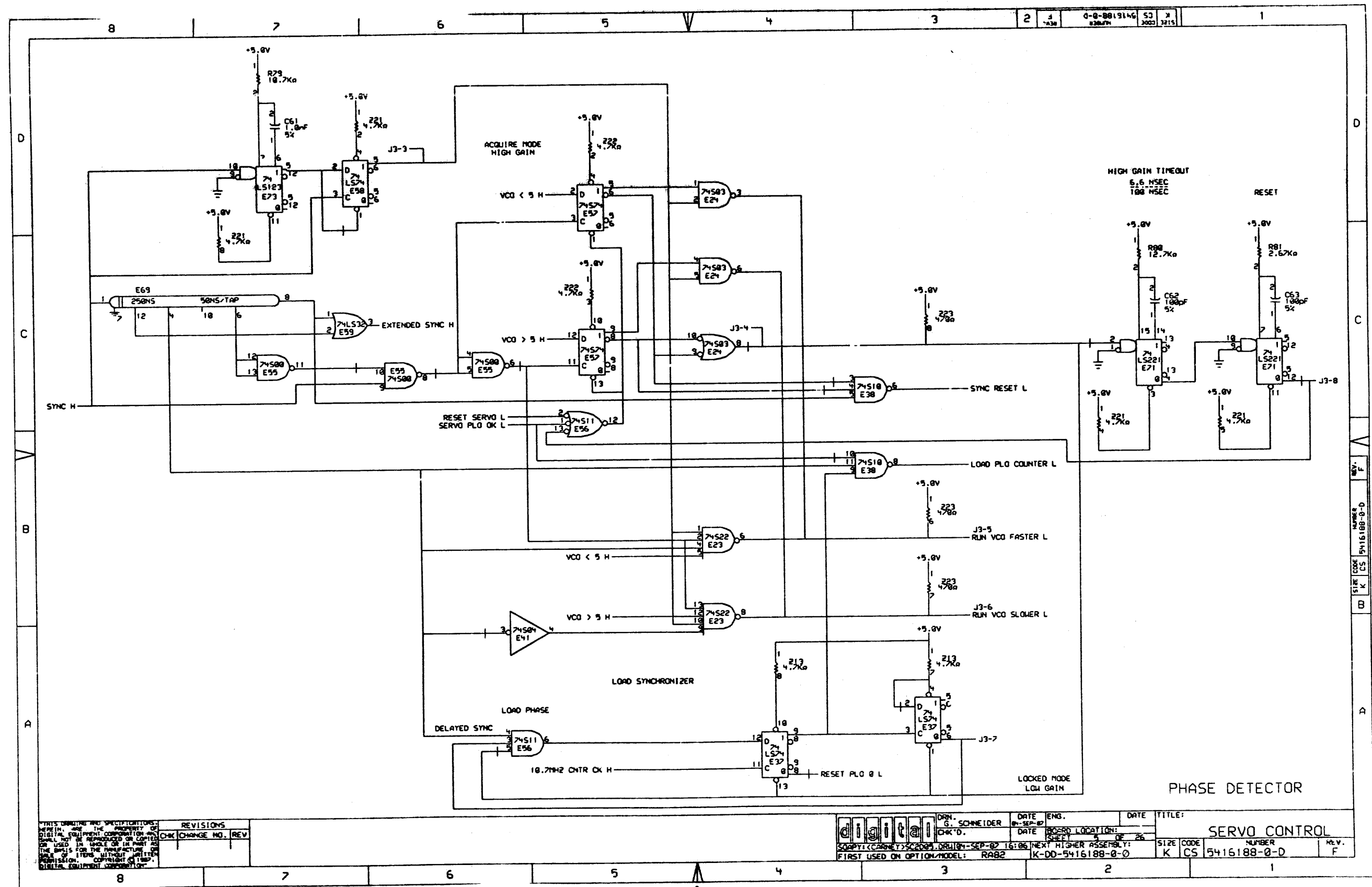
	DRN. G. SCHNEIDER	DATE 09-SEP-67	ENG. DATE	BOARD LOCATION	DATE	TITLE	
	CHK'D.	DATE	DATE	SHEET 3 OF 26	DATE	SERVO CONTROL	
FIRST USED ON OPTION MODEL: RAB2				K-DD-5416188-0-0		SIZE CODE	NUMBER
						K	5416188-0-D
							REV. F



THIS DRAWING AND SPECIFICATIONS ARE THE PROPERTY OF DIGITAL EQUIPMENT CORPORATION AND SHALL NOT BE REPRODUCED OR COPIED IN WHOLE OR IN PART AS THE BASIS FOR THE MANUFACTURE OR SALE OF ITEMS WITHOUT WRITTEN PERMISSION. COPYRIGHT © 1967, DIGITAL EQUIPMENT CORPORATION.

REVISIONS	
CHK	CHANGE NO. REV.

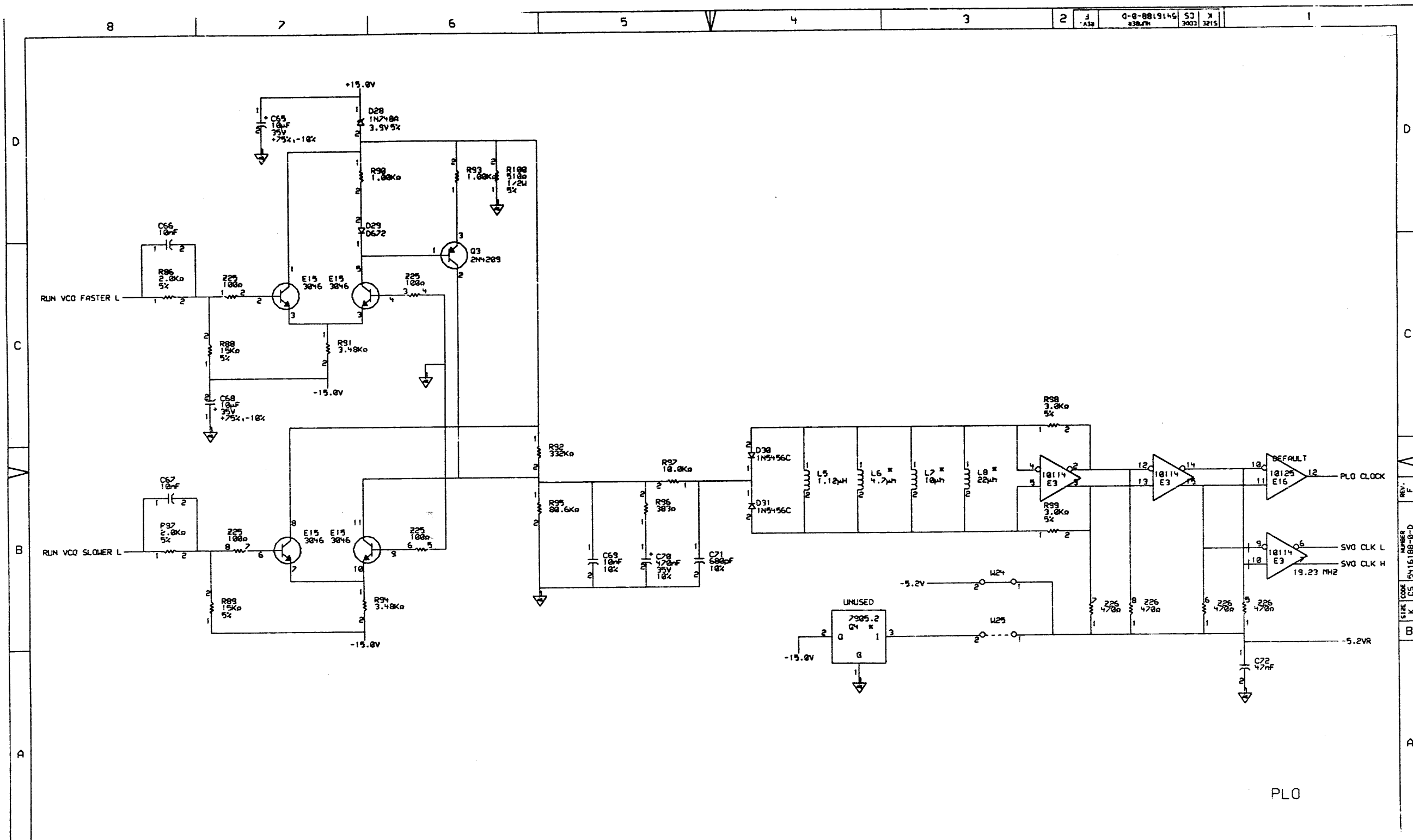
DAN G. SCHNEIDER	DATE 09-SEP-67	ENG.	DATE	TITLE: SERVO CONTROL
CHK'D.	DATE	BOARD LOCATION: SHEET 4 OF 26	SIZE CODE K CS	NUMBER 5416188-0-D
FIRST USED ON OPTION MODEL: RAB2		NEXT HIGHER ASSEMBLY: K-DD-5416188-0-2		REV. F



THIS DRAWING AND SPECIFICATIONS ARE THE PROPERTY OF DIGITAL EQUIPMENT CORPORATION AND SHALL NOT BE REPRODUCED OR COPIED OR USED IN WHOLE OR IN PART AS THE BASIS FOR THE MANUFACTURE OR SALE OF ITEMS WITHOUT WRITTEN PERMISSION. COPYRIGHT © 1967, DIGITAL EQUIPMENT CORPORATION.

REVISIONS	CHK	CHANGE NO.	REV

	DRN. G. SCHNEIDER	DATE 8-SEP-67	ENG.	DATE	TITLE: SERVO CONTROL
	CHK'D.	DATE	CROSS LOCATION:	SHEET 5 OF 26	SIZE CODE NUMBER REV.
FIRST USED ON OPTION MODEL: RA82		NEXT HIGHER ASSEMBLY: K-DD-5416188-0-0		K CS 5416188-0-D F	



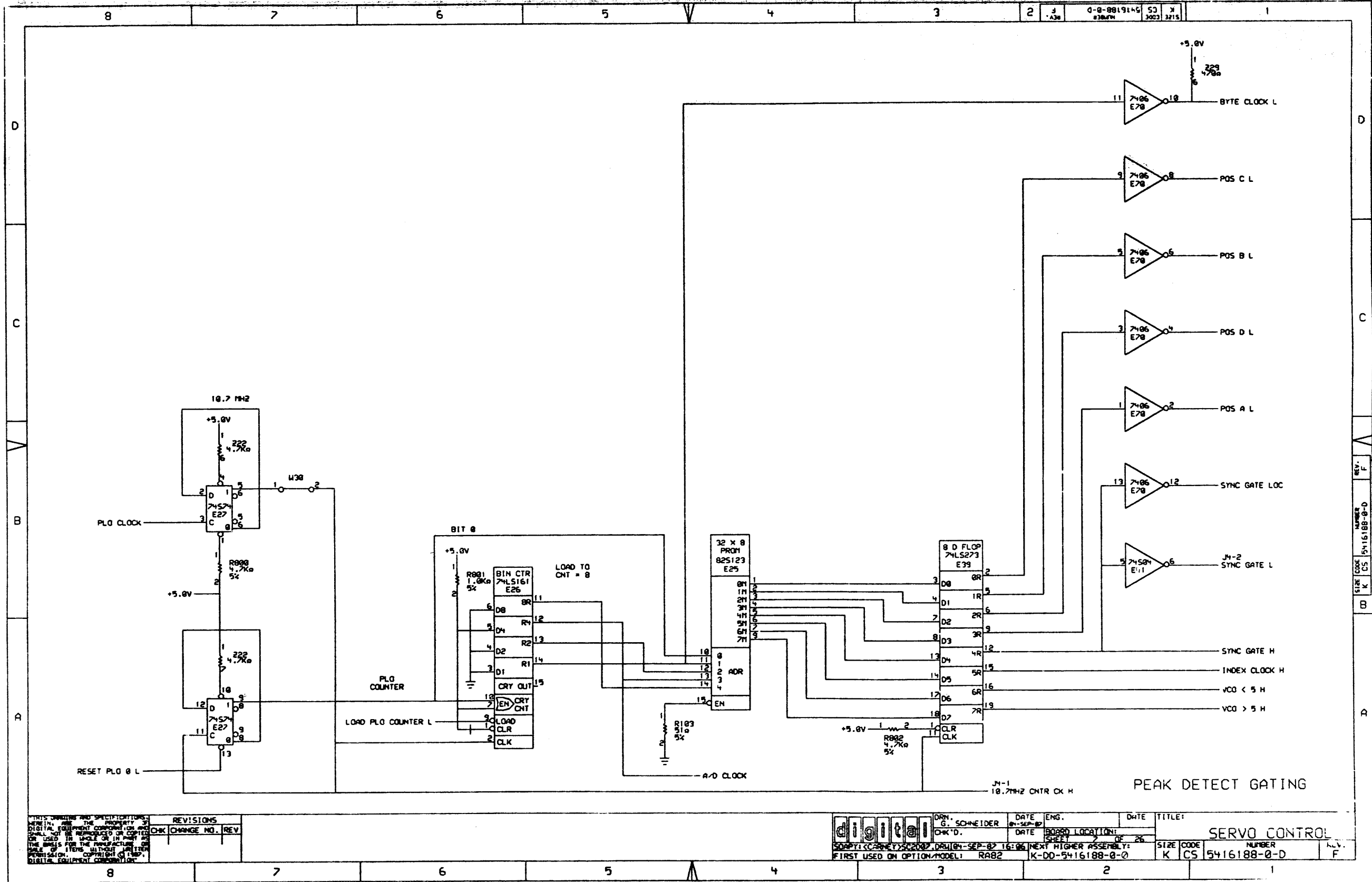
PL0

THIS DRAWING AND SPECIFICATIONS, HEREIN, ARE THE PROPERTY OF DIGITAL EQUIPMENT CORPORATION AND SHALL NOT BE REPRODUCED OR COPIED OR USED IN WHOLE OR IN PART AS THE BASIS FOR THE MANUFACTURE OR SALE OF ITEMS WITHOUT WRITTEN PERMISSION. COPYRIGHT © 1987, DIGITAL EQUIPMENT CORPORATION.

REVISIONS		
CHK	CHANGE NO.	REV

	DRN. G. SCHNEIDER	DATE 09-12-87	ENG.	DATE	TITLE:	
	CHK'D.	DATE	BOARD LOCATION:	SHEET 6 OF 25	SERVO CONTROL	
ADAPT: (CARNY) 25-2086, ORIGIN: SEP-87 16:06 NEXT HIGHER ASSEMBLY:		FIRST USED ON OPTION/MODEL: RA82		SIZE CODE K CS	NUMBER 5416188-0-D	REV. F

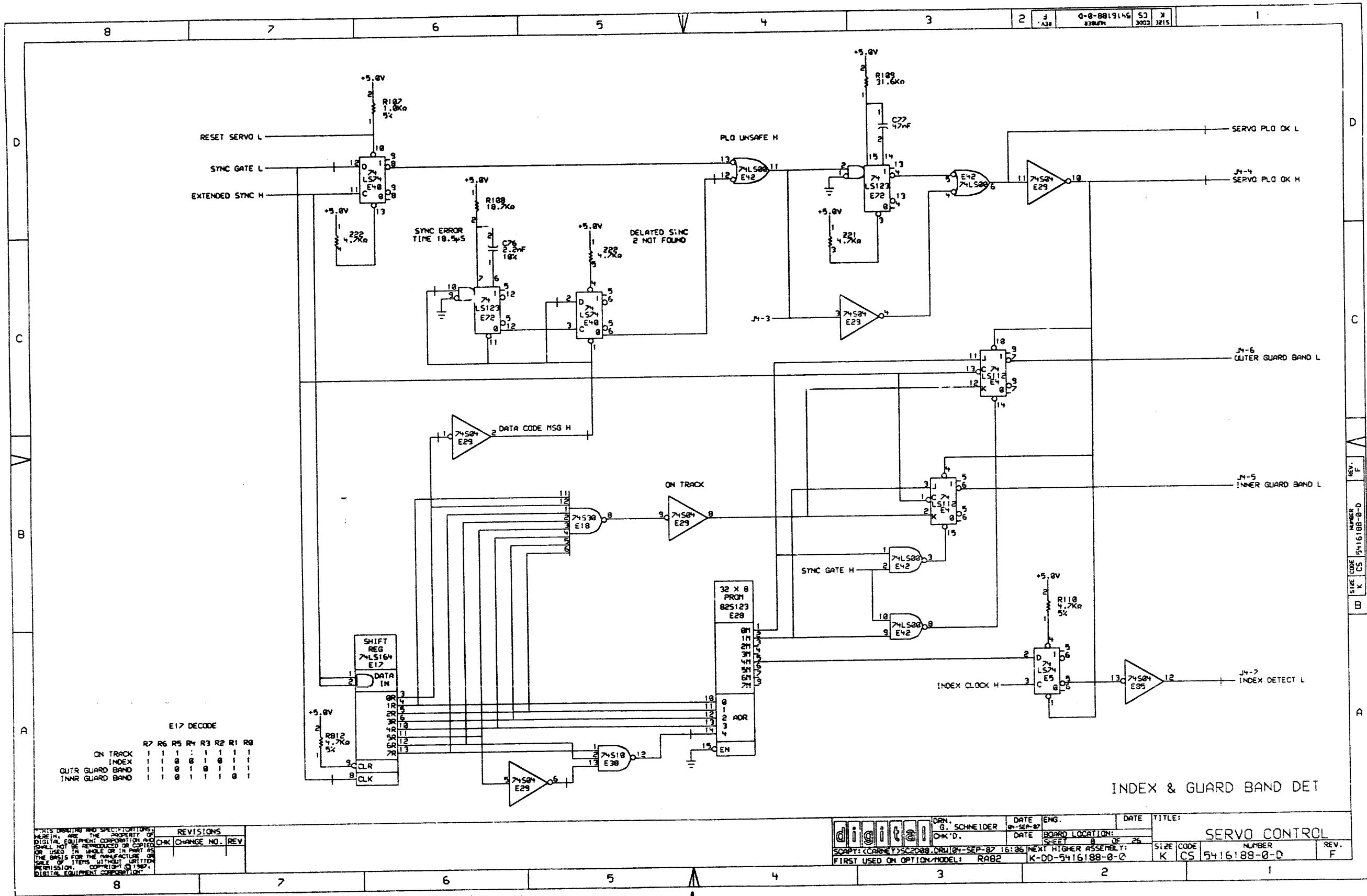
REV. 1
NUMBER 5416188-0-D
SIZE CODE K CS



THIS DRAWING AND SPECIFICATIONS ARE THE PROPERTY OF DIGITAL EQUIPMENT CORPORATION AND SHALL NOT BE REPRODUCED OR COPIED OR USED IN WHOLE OR IN PART AS THE BASIS FOR THE MANUFACTURE OR SALE OF ITEMS WITHOUT WRITTEN PERMISSION. COPYRIGHT © 1987 DIGITAL EQUIPMENT CORPORATION.

REV.	CHANGE NO.	REV.

	DRN. G. SCHNEIDER	DATE 01-SEP-87	ENG.	DATE	TITLE: SERVO CONTROL
	CHK'D.	DATE	BOARD LOCATION:	SHEET 7 OF 26	SIZE CODE NUMBER K CS 5416188-0-D
FIRST USED ON OPTION/MODEL: RAB2		NEXT HIGHER ASSEMBLY: K-DD-5416188-0-0		A.L.V. F	



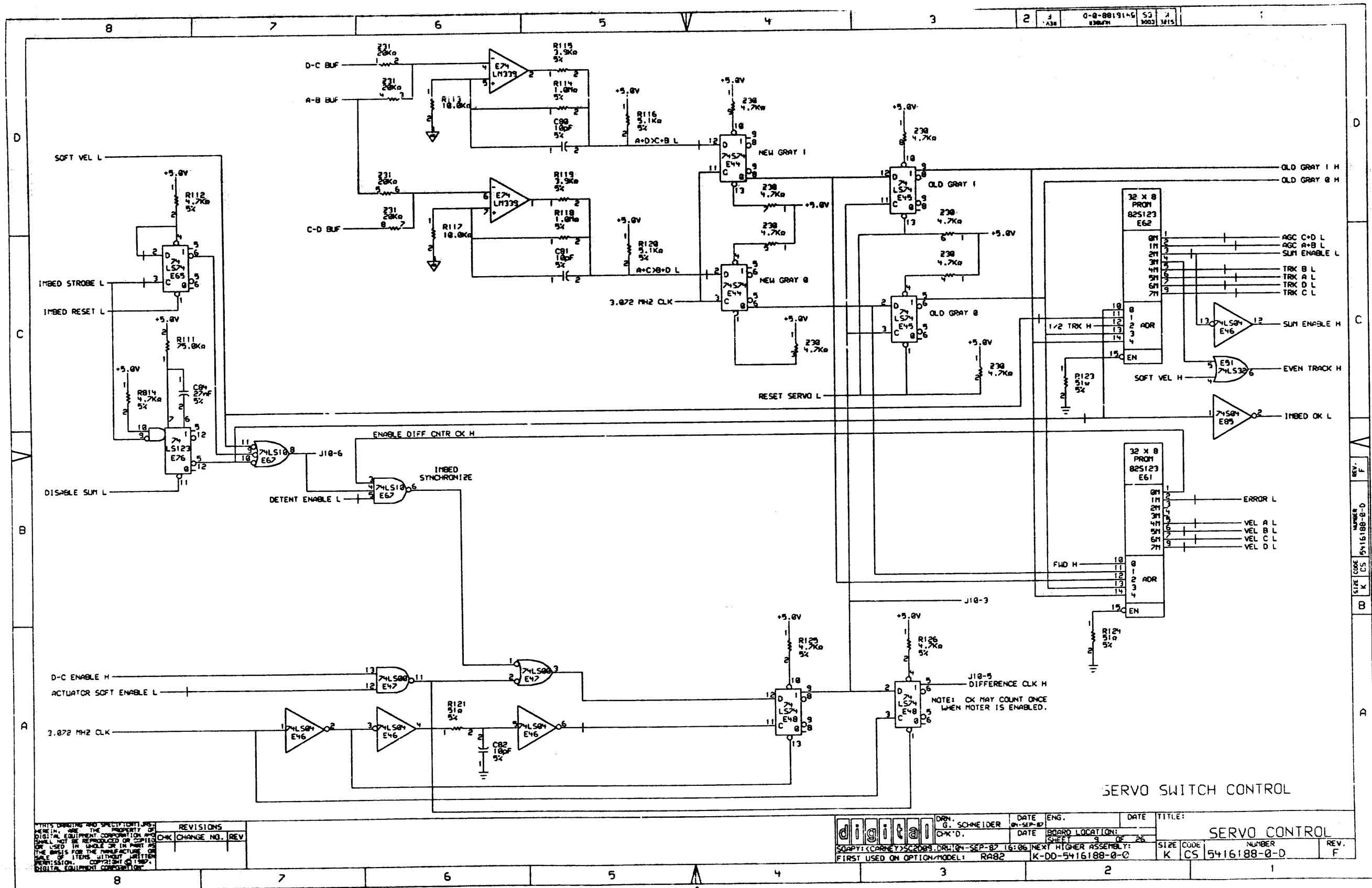
E17 DECODE

	R7	R6	R5	R4	R3	R2	R1	R0
ON TRACK	1	1	1	1	1	1	1	1
INDEX	1	1	0	0	1	0	1	1
OUTR GUARD BAND	1	1	0	1	0	1	1	1
INNER GUARD BAND	1	1	0	1	1	1	0	1

ALL RIGHTS RESERVED AND SPECIFICATIONS HEREIN ARE THE PROPERTY OF DIGITAL EQUIPMENT CORPORATION AND SHALL NOT BE REPRODUCED OR COPIED OR USED IN WHOLE OR IN PART AS THE BASIS FOR THE MANUFACTURE OR SALE OF ITEMS WITHOUT WRITTEN PERMISSION. COPYRIGHT © 1987 DIGITAL EQUIPMENT CORPORATION.

REVISIONS	
CHK	CHANGE NO. REV

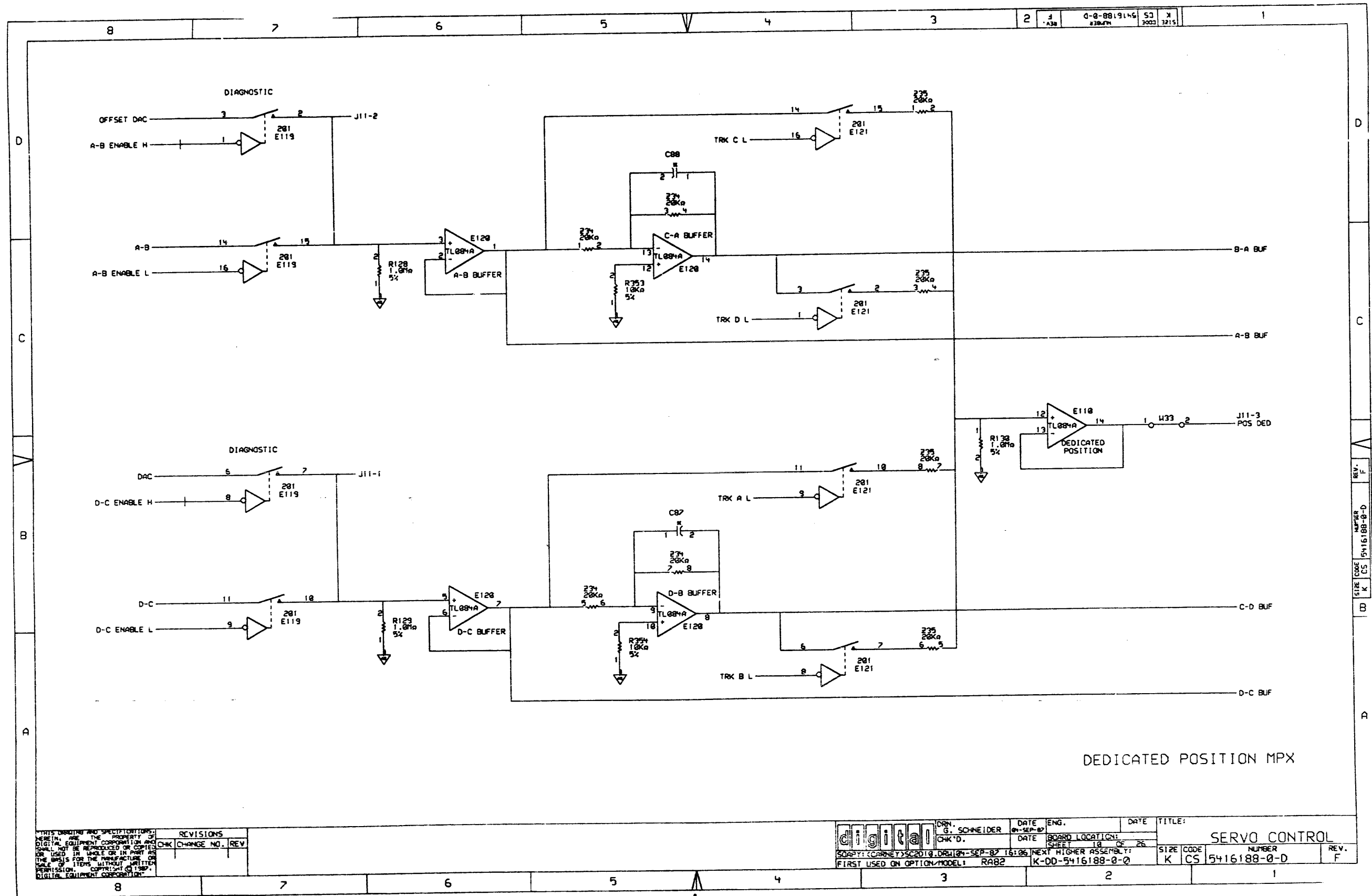
	DRN. G. SCHNEIDER	DATE 09-SEP-87	ENG.	DATE	TITLE: SERVO CONTROL
	CHK'D.	DATE	BOARD LOCATION: 8 DE 26		
COPY: (CARNY) SC2088 DR104-SEP-87 16:05		NEXT HIGHER ASSEMBLY: K-DD-5416188-0-0		SIZE CODE K CS	NUMBER 5416188-0-D
FIRST USED ON OPTION/MODEL: RAB2				REV. F	



THIS DRAWING AND SPECIFICATIONS HEREIN ARE THE PROPERTY OF DIGITAL EQUIPMENT CORPORATION AND SHALL NOT BE REPRODUCED OR COPIED OR USED IN WHOLE OR IN PART AS THE BASIS FOR THE MANUFACTURE OR SALE OF ITEMS WITHOUT WRITTEN PERMISSION. COPYRIGHT © 1987, DIGITAL EQUIPMENT CORPORATION.

REVISIONS	
CHK	CHANGE NO. REV

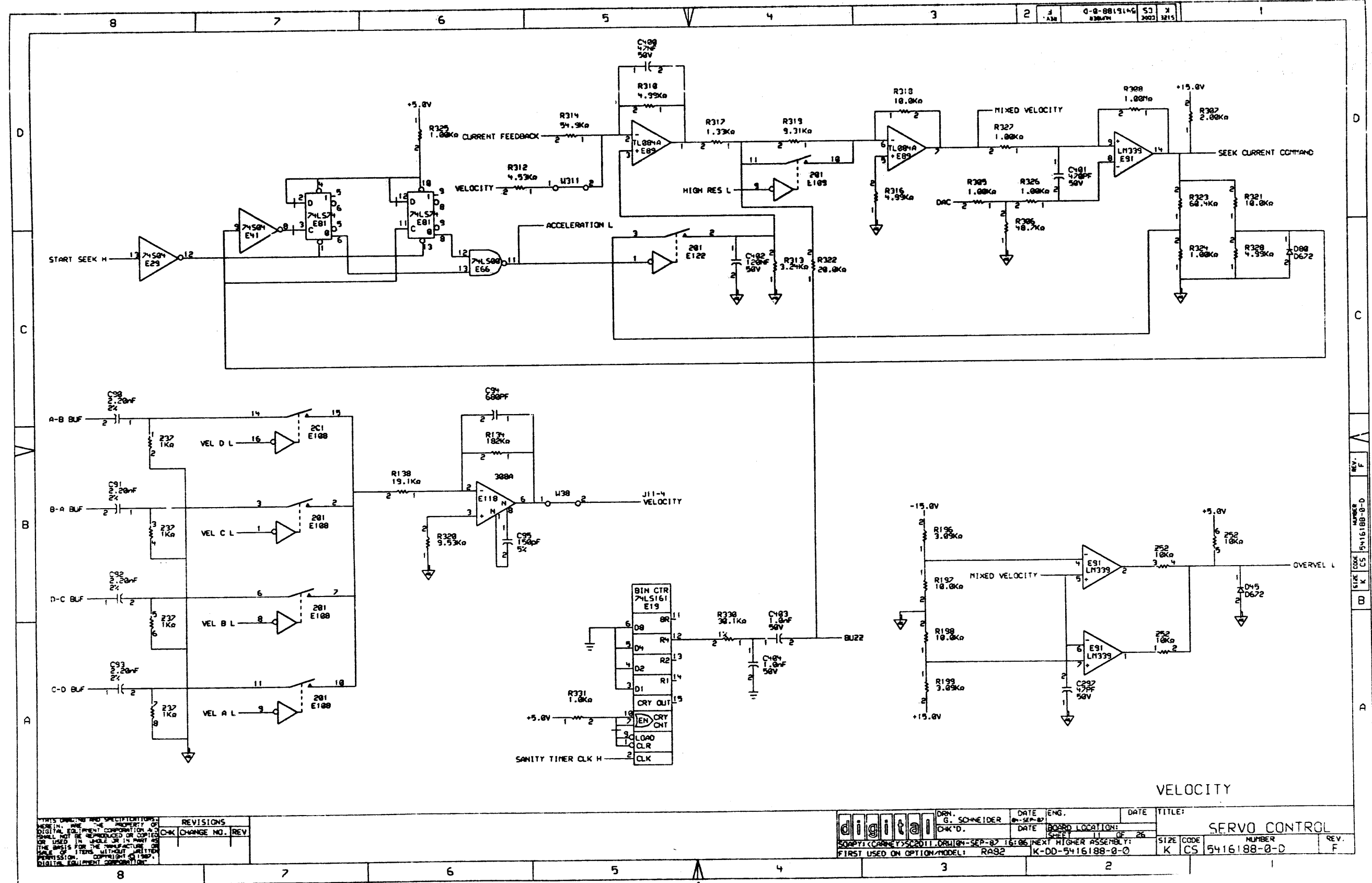
DRN: SCHNEIDER	DATE: 01-SEP-87	ENG.	DATE:	TITLE: SERVO CONTROL
CHK'D:	DATE:	BOARD LOCATION:	SHEET 9 OF 26	SIZE: K CS
FIRST USED ON OPTION/MODEL: RA82		NEXT HIGHER ASSEMBLY: K-00-5416188-0-C		NUMBER: 5416188-0-D
				REV. F



THIS DRAWING AND SPECIFICATIONS ARE THE PROPERTY OF DIGITAL EQUIPMENT CORPORATION AND SHALL NOT BE REPRODUCED OR COPIED OR USED IN WHOLE OR IN PART AS THE BASIS FOR THE MANUFACTURE OR SALE OF ITEMS WITHOUT WRITTEN PERMISSION. COPYRIGHT © 1987, DIGITAL EQUIPMENT CORPORATION.

REVISIONS		
CHK	CHANGE NO.	REV

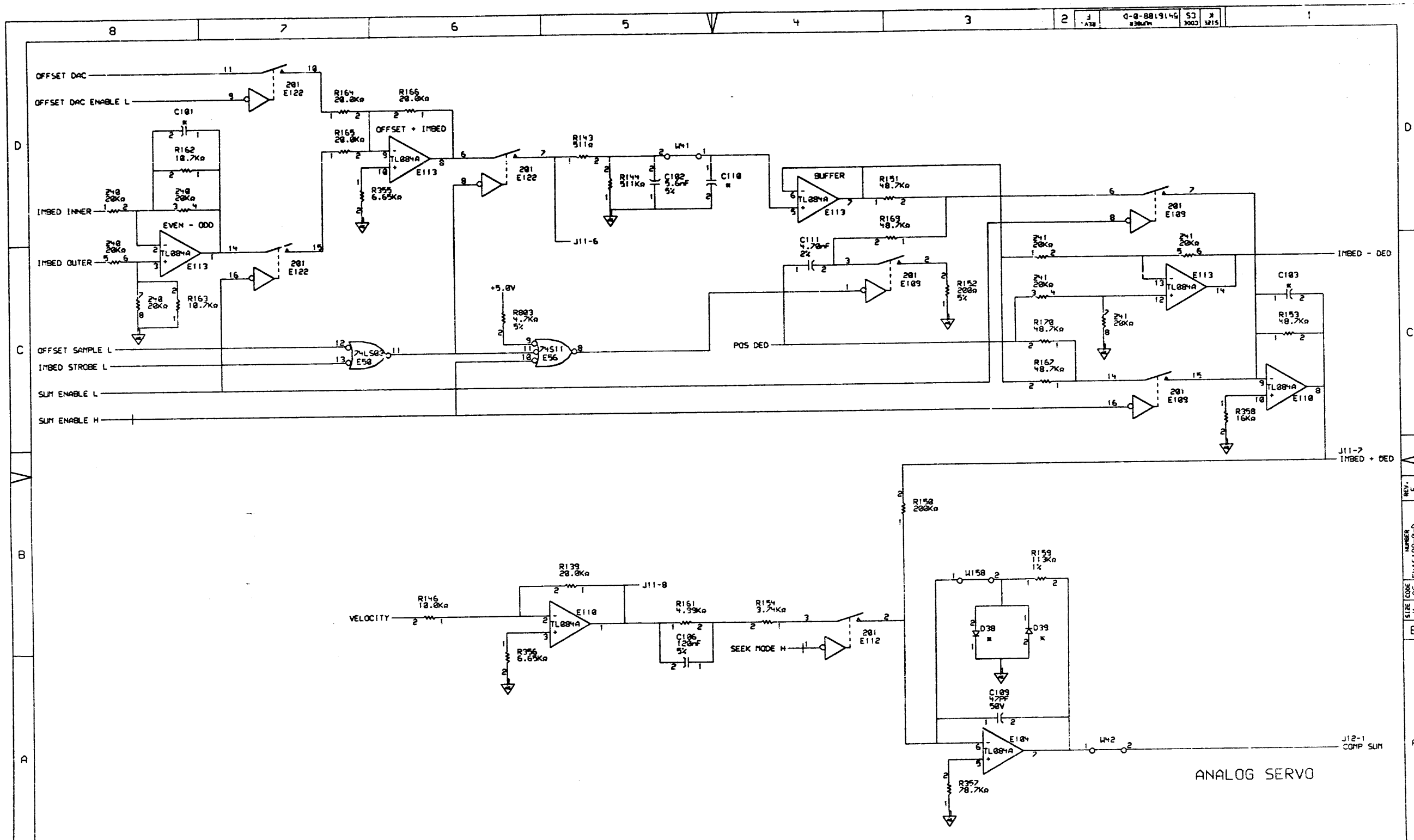
	DRN. G. SCHNEIDER	DATE 01-SEP-87	ENG.	DATE	TITLE:
	CHK'D.	DATE	BOARD LOCATION:	SHEET 10 OF 26	SERVO CONTROL
FIRST USED ON OPTION MODEL: RAB2		NEXT HIGHER ASSEMBLY: K-DD-5416188-0-0		SIZE CODE K CS	NUMBER 5416188-0-D
					REV. F



UNLESS OTHERWISE SPECIFIED, ALL PARTS SHALL BE THE PROPERTY OF DIGITAL EQUIPMENT CORPORATION AND SHALL NOT BE REPRODUCED OR COPIED OR USED IN WHOLE OR IN PART AS THE BASIS FOR THE MANUFACTURE OR SALE OF ITEMS WITHOUT WRITTEN PERMISSION. COMPANY: DIGITAL EQUIPMENT CORPORATION

REVISIONS	
CHK	CHANGE NO. REV

	DRN. G. SCHNEIDER	DATE 08-SEP-87	ENG.	DATE	TITLE: SERVO CONTROL
	CHK'D.	DATE 08-SEP-87	LOC. LOCATION:	SHEET 11 OF 26	SIZE CODE NUMBER REV. K CS 5416188-0-0 F
SCAPTS CANNERY 5-2011, ORIGIN-SEP-87 16:06, NEXT HIGHER ASSEMBLY: RA92		FIRST USED ON OPTION/MODEL: K-DD-5416188-0-0		K CS 5416188-0-0	

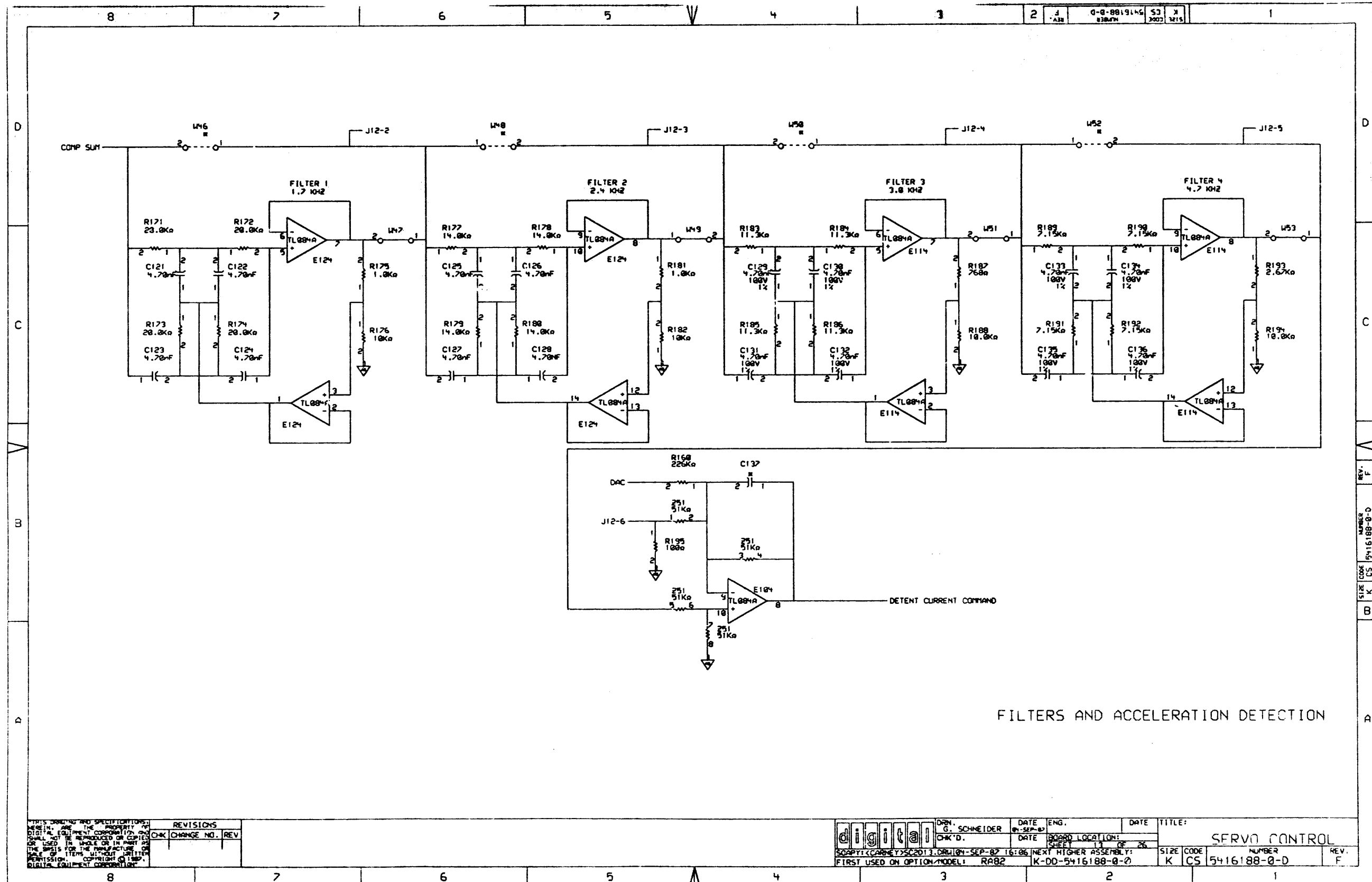


ALL RIGHTS RESERVED AND SPECIFICATIONS HEREIN ARE THE PROPERTY OF DIGITAL EQUIPMENT CORPORATION AND SHALL NOT BE REPRODUCED OR COPIED OR USED IN ANY MANNER OR FOR THE BASIS FOR THE MANUFACTURE OF ANY ITEMS WITHOUT WRITTEN PERMISSION. COPYRIGHT © 1980 DIGITAL EQUIPMENT CORPORATION.

REVISIONS	
CHK	CHANGE NO. REV

	DRN. G. SCHNEIDER	DATE 09-SEP-80	ENG.	DATE	TITLE:		
	CHK'D.	DATE	BOARD LOCATION:	SHEET 12 OF 26	SERVO CONTROL		
FIRST USED ON OPTION/MODEL: RAB2		NEXT HIGHER ASSEMBLY: K-DD-5416188-0-0		SIZE	CODE	NUMBER	REV.
				K	CS	5416188-0-D	F

REV. F
 NUMBER 5416188-0-D
 SIZE CODE CS
 SHEET 12 OF 26

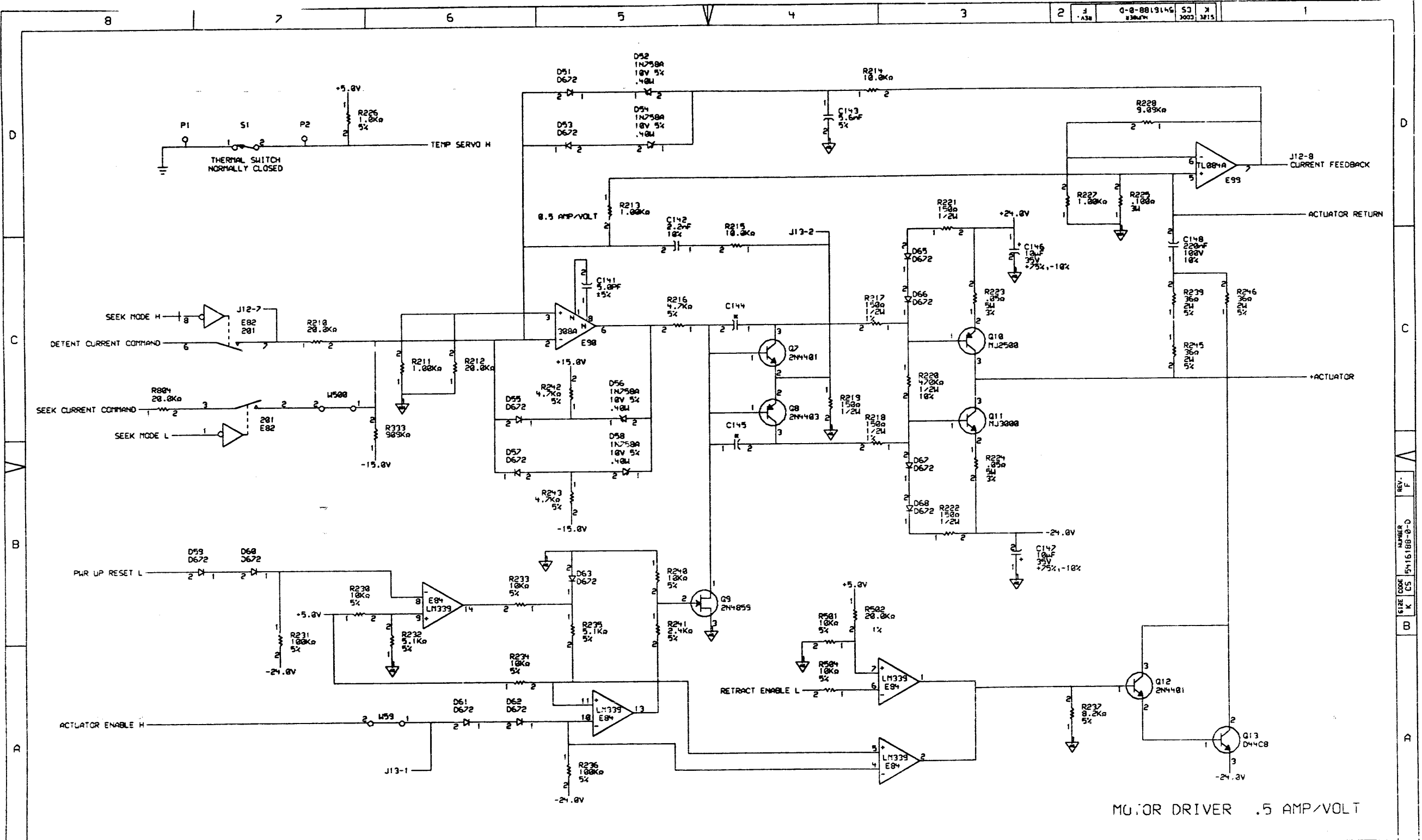


FILTERS AND ACCELERATION DETECTION

THIS DRAWING AND SPECIFICATIONS ARE THE PROPERTY OF DIGITAL EQUIPMENT CORPORATION AND SHALL NOT BE REPRODUCED OR COPIED OR USED IN WHOLE OR IN PART AS THE BASIS FOR THE MANUFACTURE OR SALE OF ITEMS WITHOUT WRITTEN PERMISSION. COPYRIGHT © 1987, DIGITAL EQUIPMENT CORPORATION.

REVISIONS	
CHK	CHANGE NO. REV.

	DRN. G. SCHNEIDER	DATE 09-SEP-87	ENG.	DATE	TITLE: SERVO CONTROL
	CHK'D.	DATE	BOARD LOCATION:	SHEET 13 OF 26	SIZE CODE NUMBER REV. K CS 5416188-0-D F
SOA:Y11(CABINET)SC2013.DR:1041-SEP-87 16:06 FIRST USED ON OPTION MODEL: RAB2		NEXT HIGHER ASSEMBLY: K-DD-5416188-0-0			



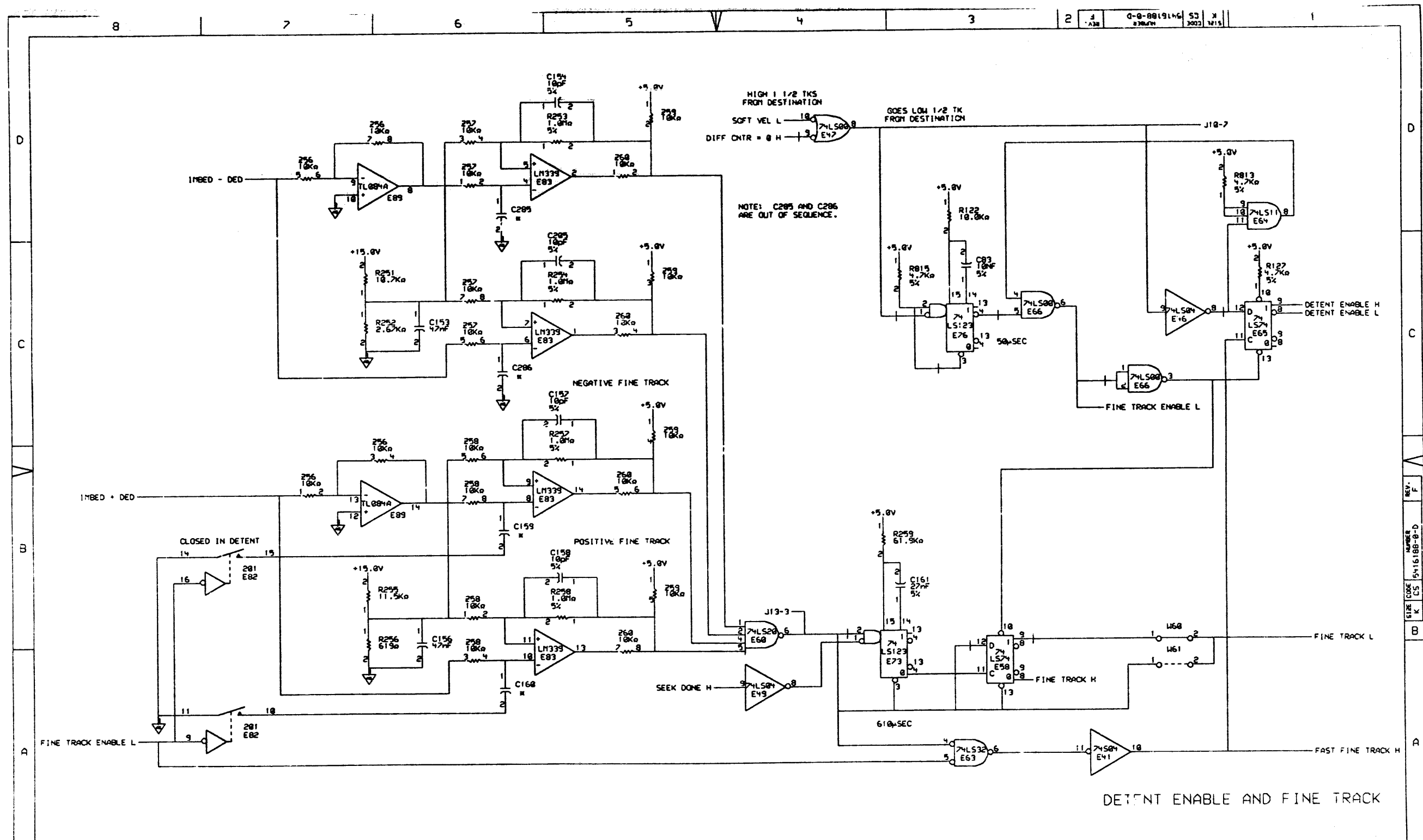
MOTOR DRIVER .5 AMP/VOLT

NOTES: DRAWING AND SPECIFICATIONS HEREIN ARE THE PROPERTY OF DIGITAL EQUIPMENT CORPORATION AND SHALL NOT BE REPRODUCED OR COPIED OR USED IN WHOLE OR IN PART AS THE BASIS FOR THE MANUFACTURE OR SALE OF ITEMS WITHOUT WRITTEN PERMISSION. COPYRIGHT © 1967 DIGITAL EQUIPMENT CORPORATION.

REVISIONS		
CHK	CHANGE NO.	REV

	DRAWN BY: SCHNEIDER	DATE: 09-SEP-67	ENG.	DATE:	TITLE: SERVO CONTROL
	CHK'D:	DATE:	BOARD LOCATION:	SHEET 14 OF 26	SIZE CODE NUMBER REV. K CS 5416188-0-D F
FIRST USED ON OPTION MODEL: RAB2		NEXT HIGHER ASSEMBLY: K-DD-5416188-0-0			

SIZE CODE NUMBER REV. K CS 5416188-0-D F

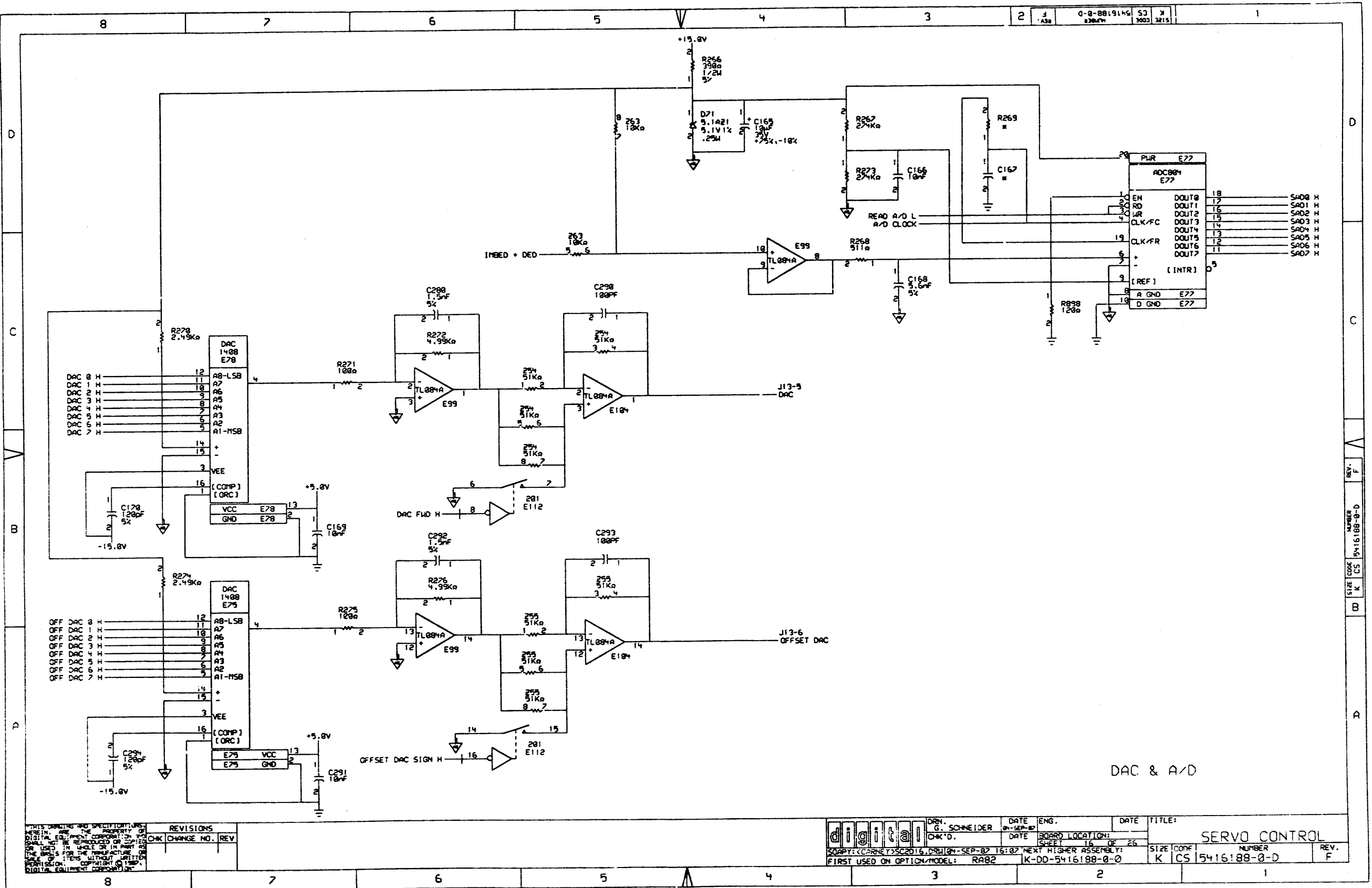


DETENT ENABLE AND FINE TRACK

THIS DRAWING AND SPECIFICATIONS ARE THE PROPERTY OF DIGITAL EQUIPMENT CORPORATION AND SHALL NOT BE REPRODUCED OR COPIED OR USED IN WHOLE OR IN PART AS THE BASIS FOR THE MANUFACTURE OF ANY ITEMS WITHOUT WRITTEN PERMISSION. COPYRIGHT © 1967, DIGITAL EQUIPMENT CORPORATION.

REVISIONS	
CHK	CHANGE NO. REV

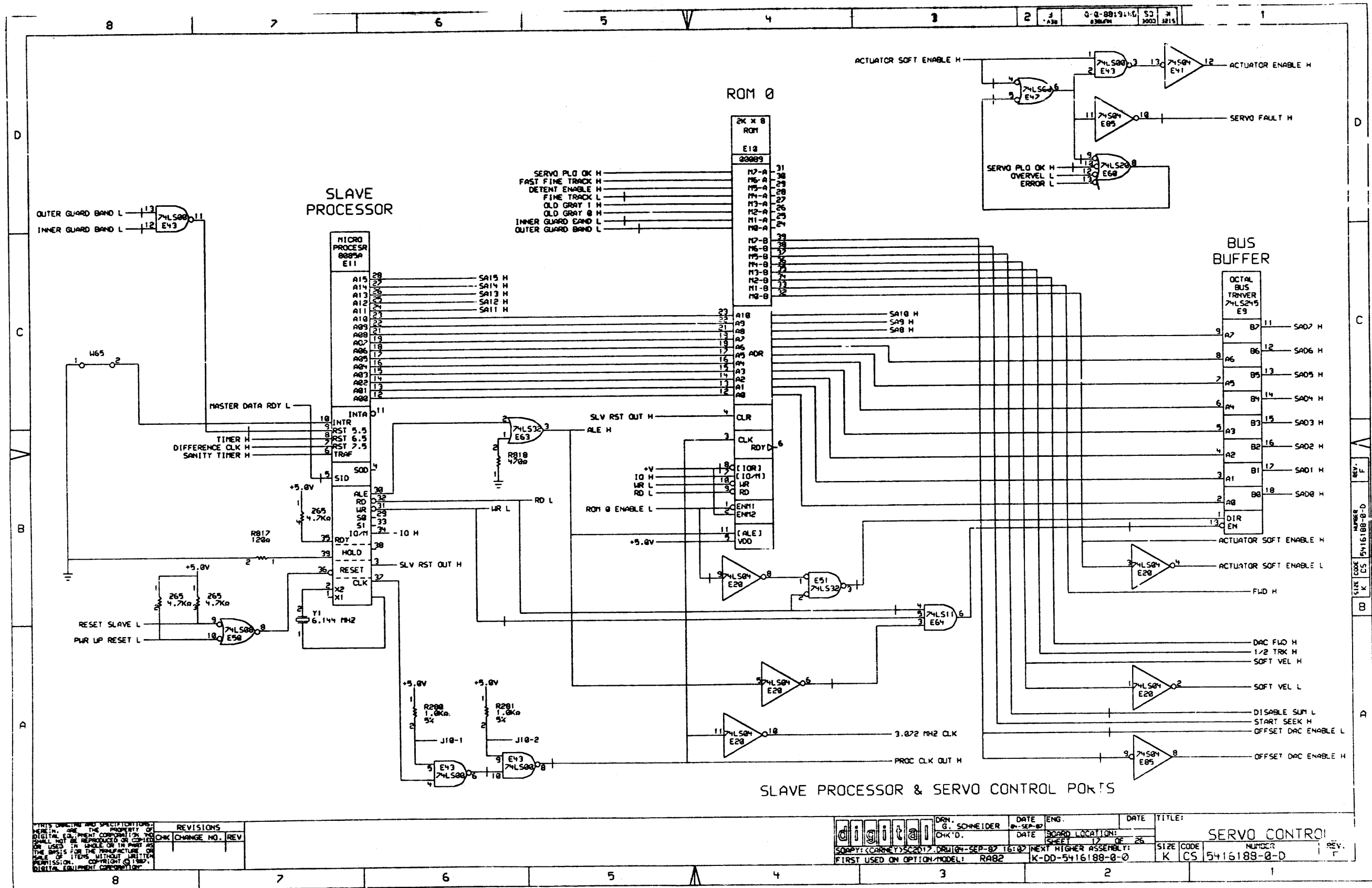
	DRN. G. SCHNEIDER	DATE 09-SEP-67	ENG.	DATE	TITLE: SERVO CONTROL
	CHK'D.	DATE	BOARD LOCATION:	SHEET 18 OF 26	SIZE CODE K CS
FIRST USED ON OPTION/MODEL: RAB2		NEXT HIGHER ASSEMBLY: K-DD-5416188-0-2		NUMBER 5416188-0-D	REV. F



ALL DIMENSIONS AND SPECIFICATIONS ARE THE PROPERTY OF DIGITAL EQUIPMENT CORPORATION AND SHALL NOT BE REPRODUCED OR COPIED IN WHOLE OR IN PART FOR ANY PURPOSES WITHOUT THE WRITTEN PERMISSION OF DIGITAL EQUIPMENT CORPORATION.

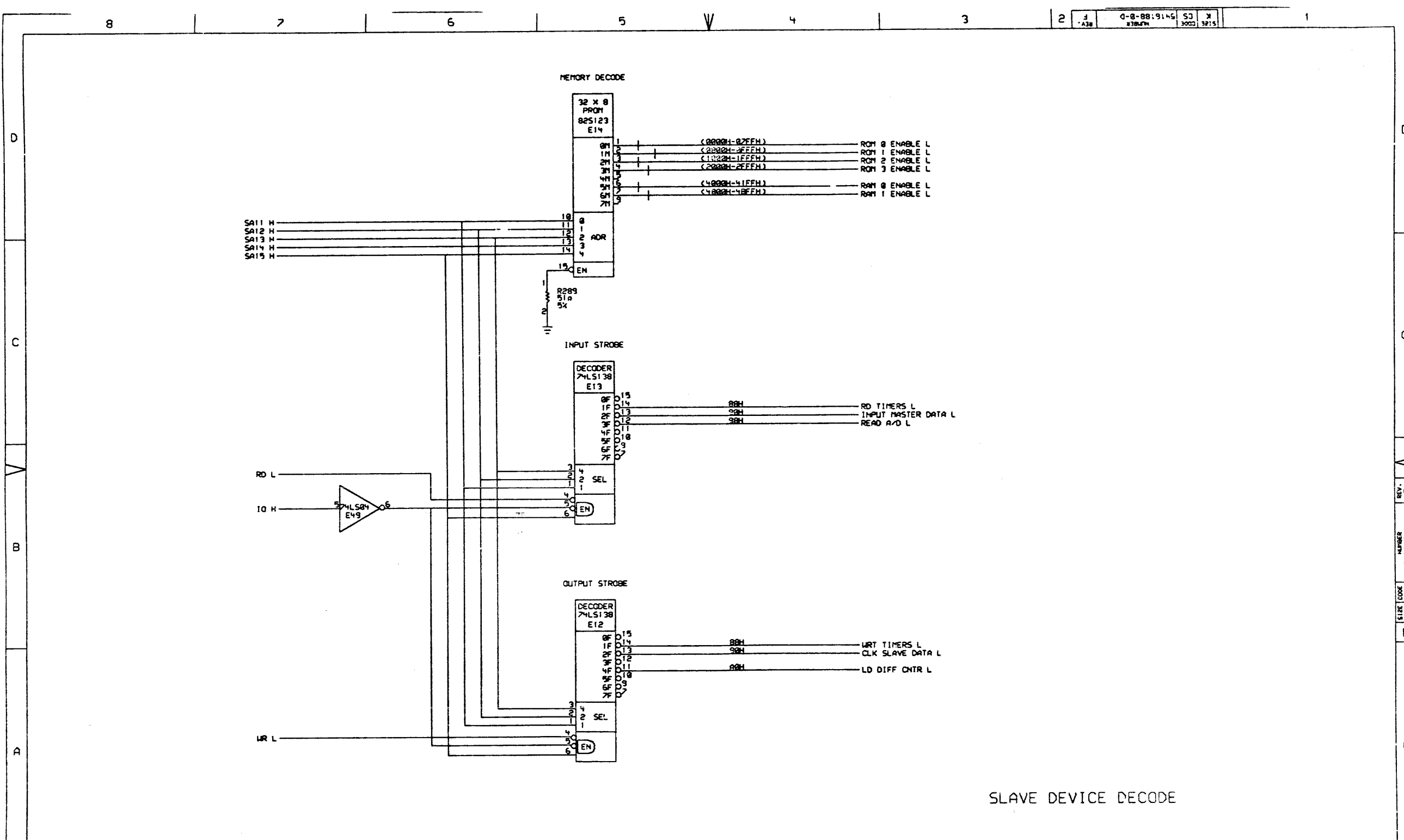
REV.	CHG.	NO.	REV.

	DRN. G. SCHNEIDER	DATE 04-SEP-82	ENG.	DATE	TITLE: SERVO CONTROL
	CHK'D.	DATE	BOARD LOCATION:	SHEET 16 OF 26	SIZE: K CS
SOAPPY: (CARTY) SC016, DR014, SEP-82 16:02 NEXT HIGHER ASSEMBLY: K DD-5416188-0-0			NUMBER 5416188-0-D		REV. F



REVISIONS	
CHK	CHANGE NO. REV

	DRN. G. SCHNEIDER	DATE 8-SEP-87	ENG.	DATE	TITLE: SERVO CONTROL
	CHK'D.	DATE	BOARD LOCATION: SHEET 17 OF 26	SIZE CODE K CS	NUMBER 5416188-0-D
SOPRY: CORNEY SC2017		DRAWN: SEP-87 16:07		NEXT HIGHER ASSEMBLY:	
FIRST USED ON OPTION MODEL: RAB2		K-DD-5416188-0-0		REV. F	



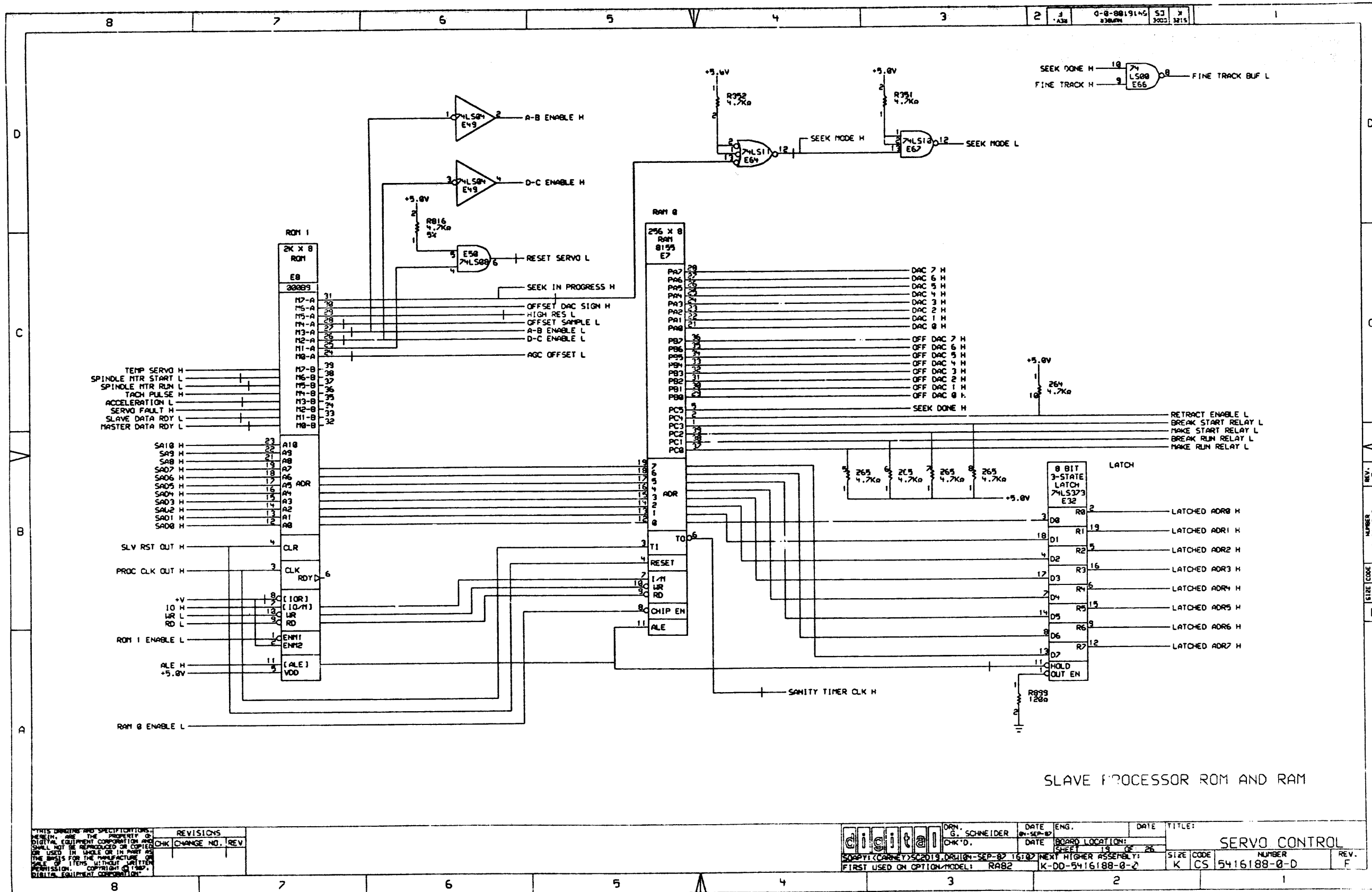
SLAVE DEVICE DECODE

THIS DRAWING AND SPECIFICATIONS ARE THE PROPERTY OF DIGITAL EQUIPMENT CORPORATION AND SHALL NOT BE REPRODUCED OR COPIED OR USED IN WHOLE OR IN PART AS THE BASIS FOR THE MANUFACTURE OR SALE OF ITEMS WITHOUT WRITTEN PERMISSION. COPYRIGHT © 1987 DIGITAL EQUIPMENT CORPORATION.

REVISIONS	
CHK	CHANGE NO. REV

8	7	6	5	4	3	2	1
---	---	---	---	---	---	---	---

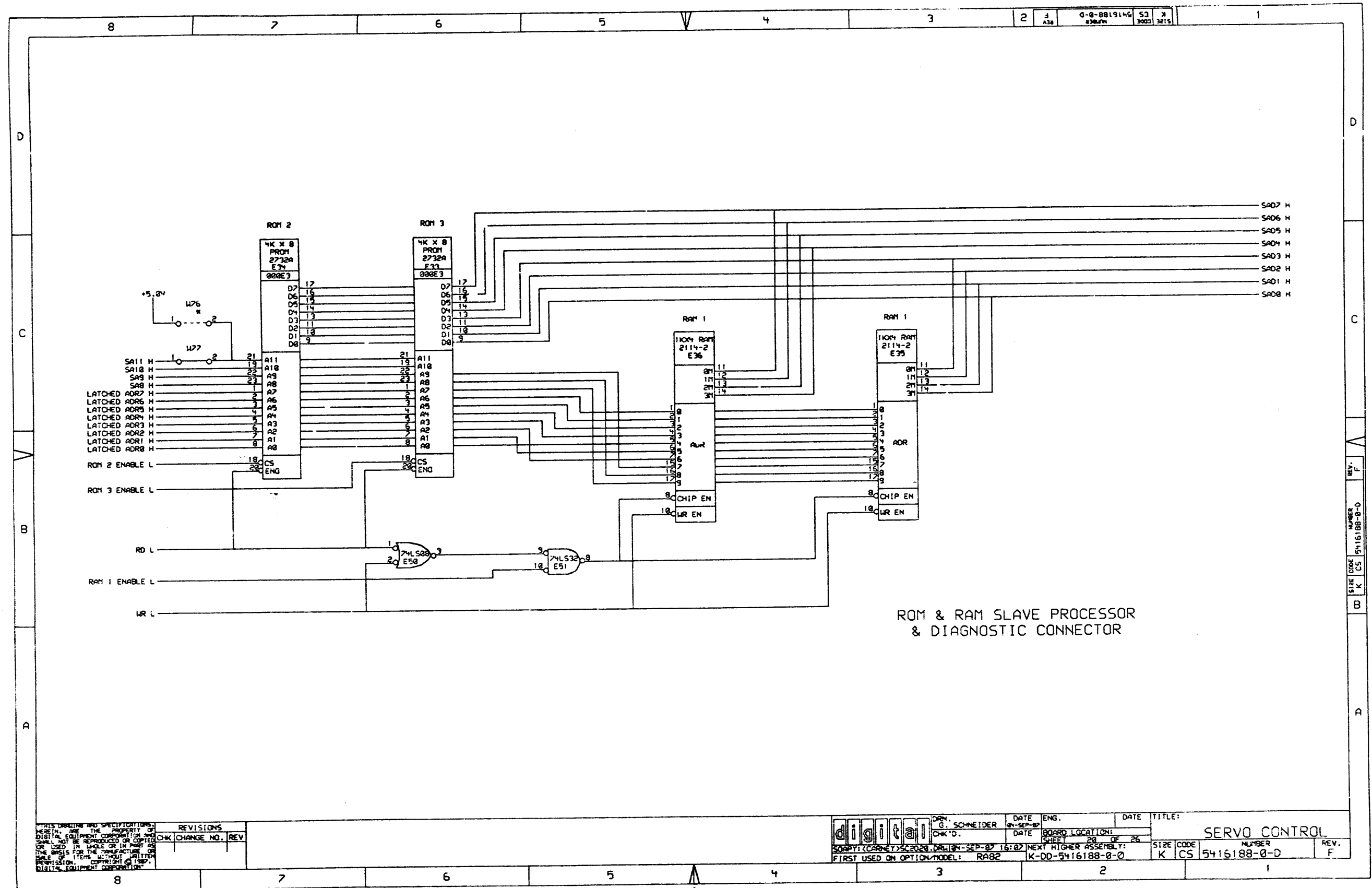
	DRN. G. SCHNEIDER	DATE 09-SEP-87	ENG.	DATE	TITLE: SERVO CONTROL
	CHK'D.	DATE	BOARD LOCATION: SHEET 18 OF 26	SIZE CODE: K CS	NUMBER: 5416188-0-D
	FIRST USED ON OPTION/MODEL: RA02		NEXT HIGHER ASSEMBLY: K-DD-5416188-0-2		REV. F



THIS DRAWING AND SPECIFICATIONS HEREIN ARE THE PROPERTY OF DIGITAL EQUIPMENT CORPORATION AND SHALL NOT BE REPRODUCED OR COPIED OR USED IN WHOLE OR IN PART AS THE BASIS FOR THE MANUFACTURE OR SALE OF ITEMS WITHOUT WRITTEN PERMISSION. COPYRIGHT © 1987, DIGITAL EQUIPMENT CORPORATION.

REVISIONS	
CHK	CHANGE NO. REV

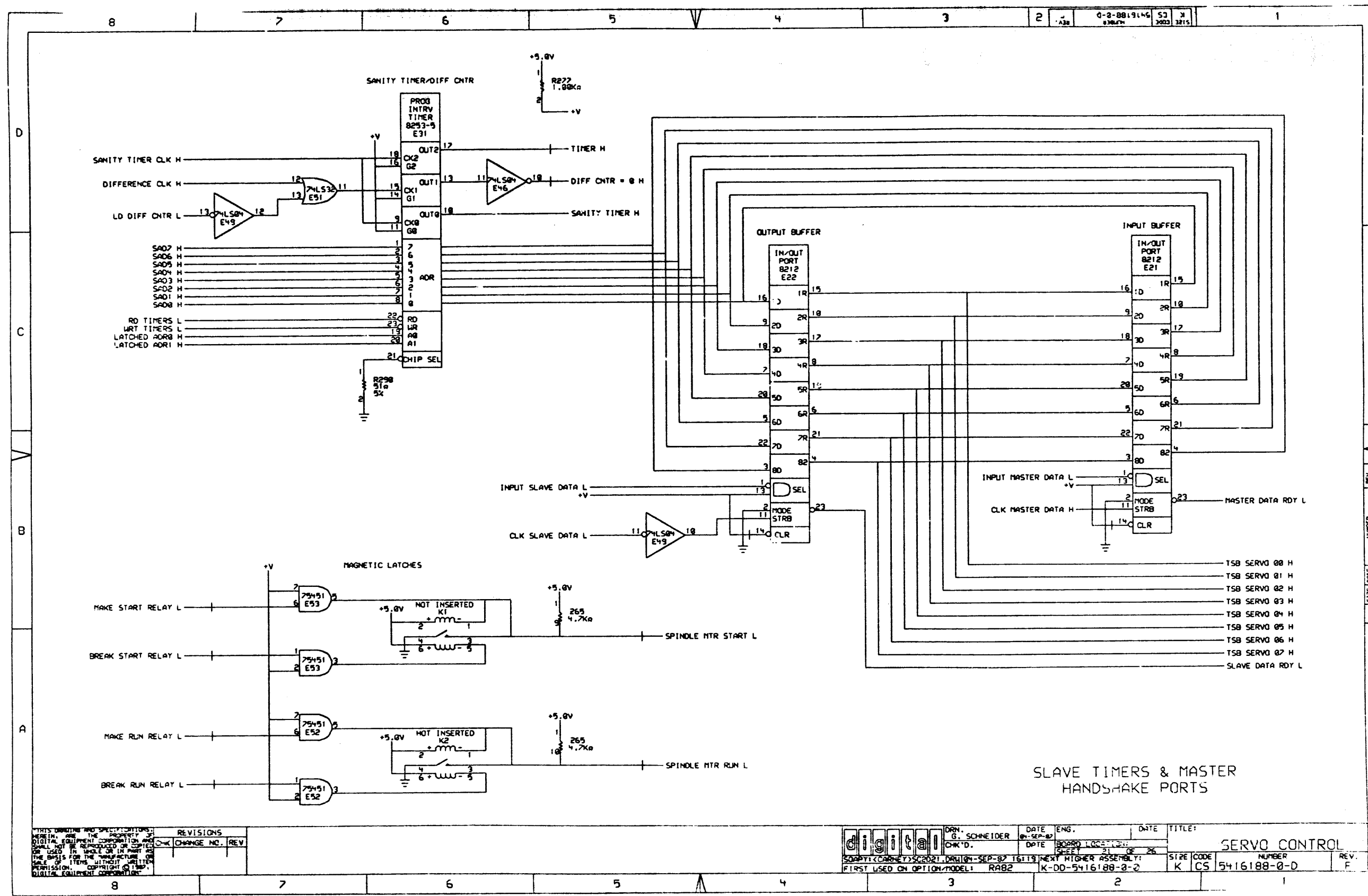
digital	ORN. G. SCHNEIDER	DATE 09-SEP-87	ENG.	DATE	TITLE:
	CHK'D.	DATE	BOARD LOCATION:	SHEET 13 OF 26	SERVO CONTROL
FIRST USED ON OPTION/MODEL: RAB2		NEXT HIGHER ASSEMBLY: K-DD-5416188-0-2		SIZE CODE	NUMBER
				K CS	5416188-0-0
				REV.	F



THIS DRAWING AND SPECIFICATIONS
HEREIN ARE THE PROPERTY OF
DIGITAL EQUIPMENT CORPORATION AND
SHALL NOT BE REPRODUCED OR COPIED
OR USED IN WHOLE OR IN PART AS
THE BASIS FOR THE MANUFACTURE OF
ANY OTHER ITEMS WITHOUT WRITTEN
PERMISSION. COPYRIGHT © 1987
DIGITAL EQUIPMENT CORPORATION

REVISIONS		
CHK	CHANGE NO.	REV.

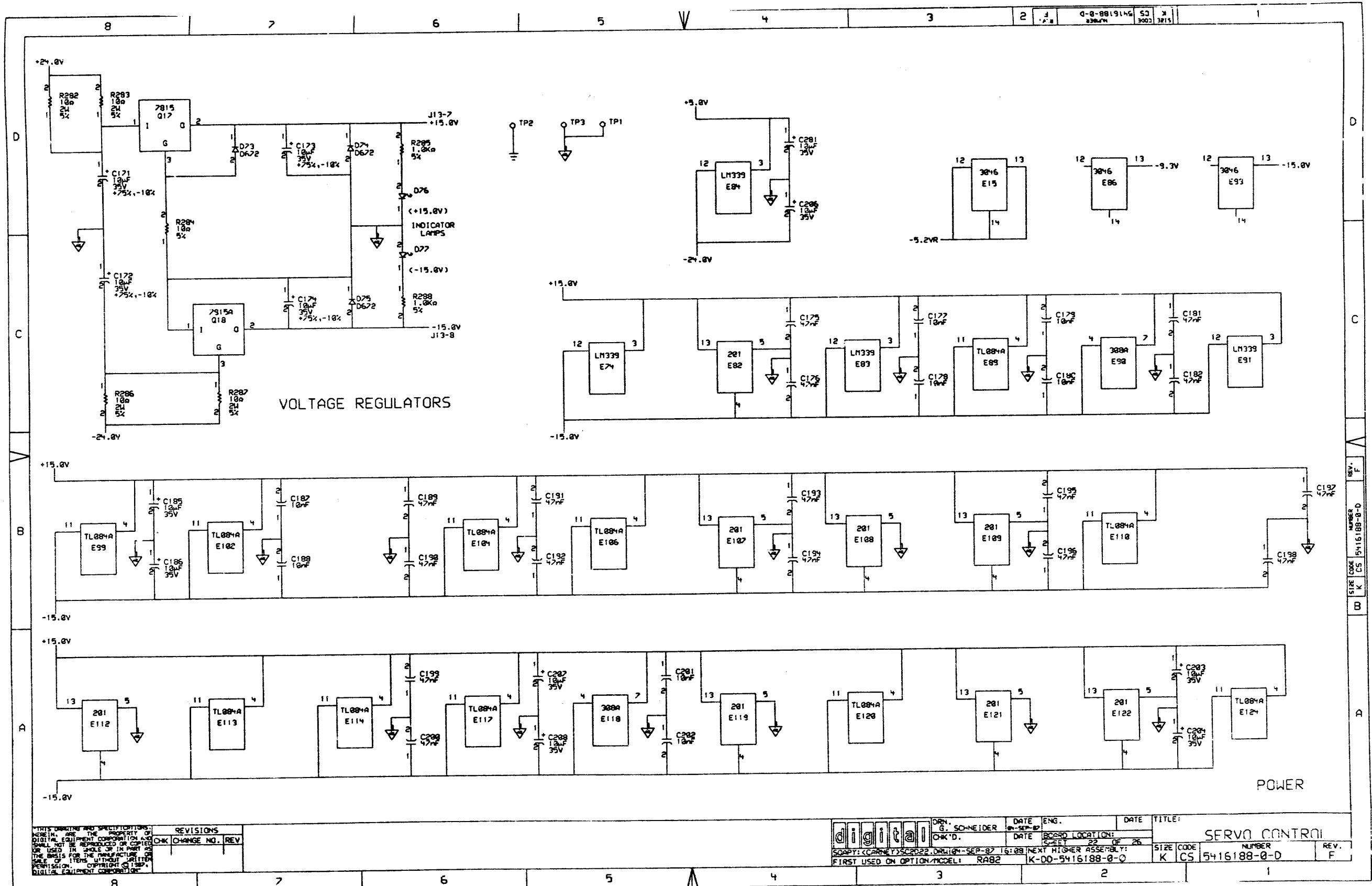
digital	DRY. SCHNEIDER	DATE	ENG.	DATE	TITLE:
	CHK'D.	DATE			
SHEET 28 OF 26		BOARD LOCATION:		SERVO CONTROL	
FIRST USED ON OPTION MODEL: RAB2		NEXT HIGHER ASSEMBLY:		SIZE	CODE
K-00-5416188-0-0		K-00-5416188-0-0		K	CS
NUMBER				REV.	
5416188-0-D				F	



THIS DRAWING AND SPECIFICATIONS ARE THE PROPERTY OF DIGITAL EQUIPMENT CORPORATION AND SHALL NOT BE REPRODUCED OR COPIED OR USED IN WHOLE OR IN PART AS THE BASIS FOR THE MANUFACTURE OR SALE OF ITEMS WITHOUT WRITTEN PERMISSION. COPYRIGHT © 1987, DIGITAL EQUIPMENT CORPORATION.

REVISIONS		
CHG	CHANGE NO.	REV

	DRN. G. SCHNEIDER	DATE 01-SEP-87	ENG.	DATE	TITLE:	
	CHK'D.	DATE	BOARD LCCS: 26	SHEET 31 OF 26	SERVO CONTROL	
504711-CORNFY23C2021 DRUIGN-SEP-87 16119 NEXT HIGHER ASSEMBLY:		FIRST USED ON OPTION/MODEL: RAB2		SIZE CODE K CS	NUMBER 5416188-0-D	REV. F



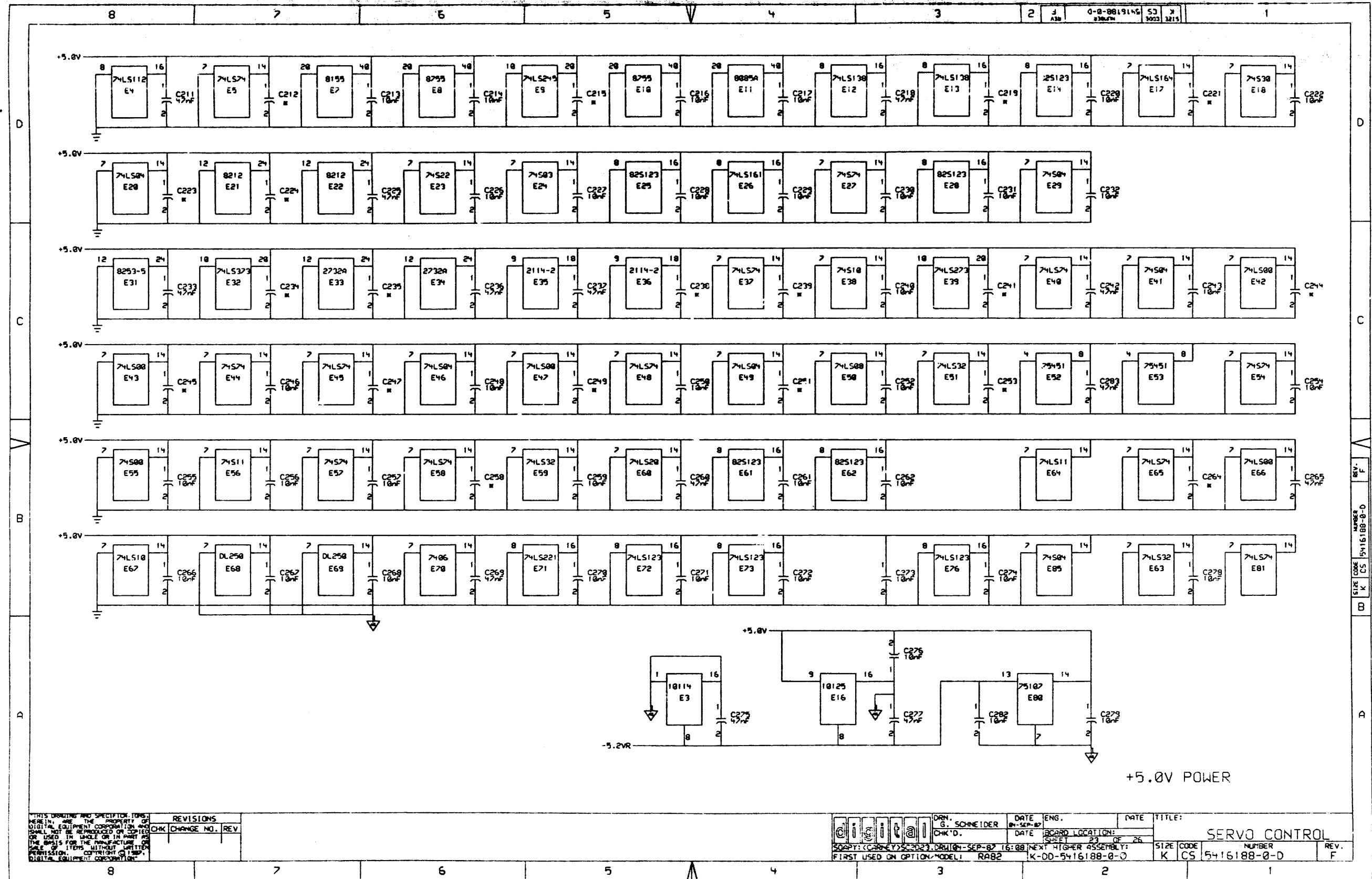
VOLTAGE REGULATORS

POWER

THIS DRAWING AND SPECIFICATIONS ARE THE PROPERTY OF DIGITAL EQUIPMENT CORPORATION AND SHALL NOT BE REPRODUCED OR COPIED OR USED IN WHOLE OR IN PART AS THE BASIS FOR THE MANUFACTURE OR SALE OF ITEMS WITHOUT WRITTEN PERMISSION. COPYRIGHT © 1987, DIGITAL EQUIPMENT CORPORATION.

REVISIONS		
CHK	CHANGE NO.	REV.

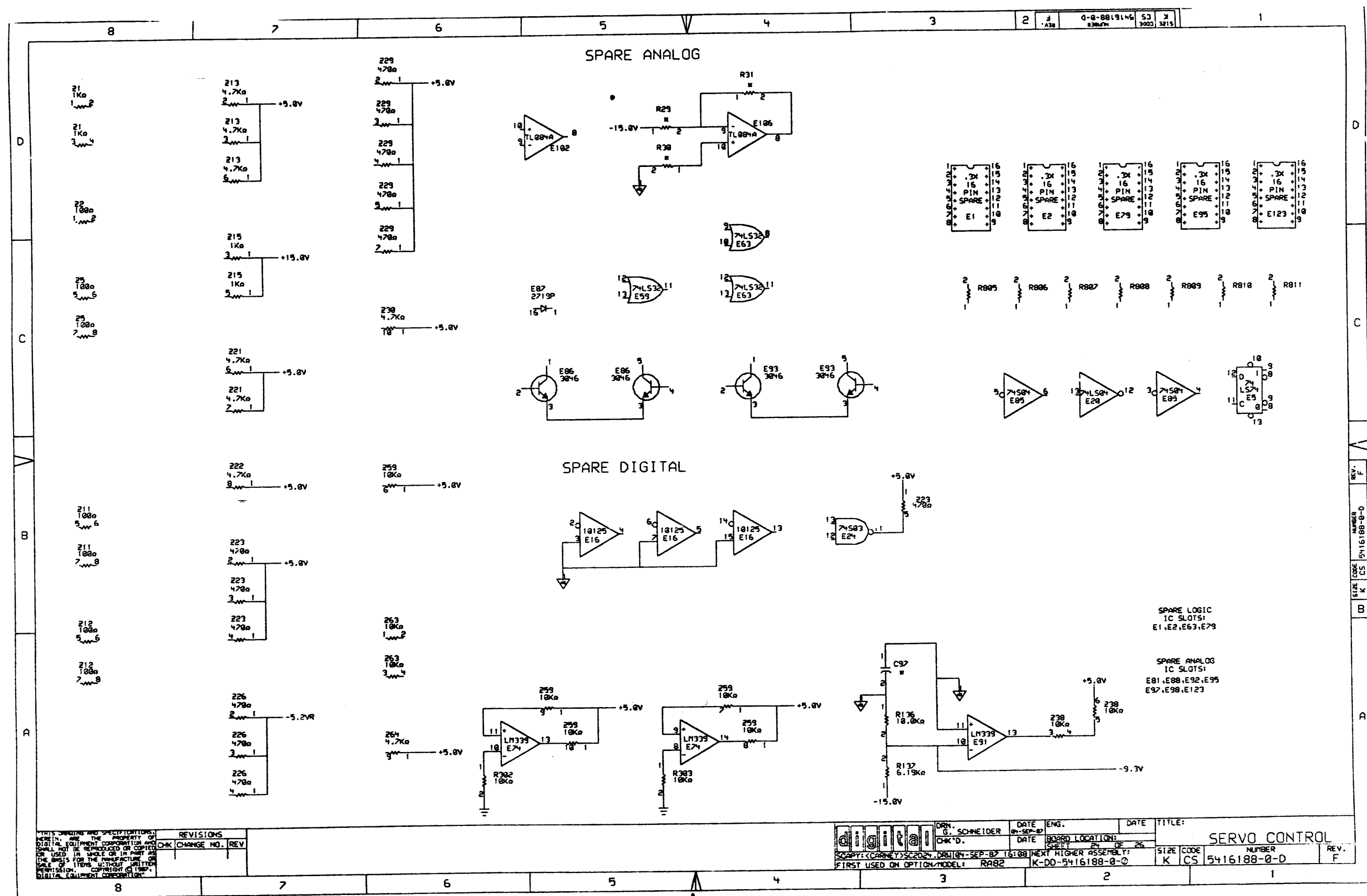
	DRN. G. SCHNEIDER	DATE 09-SEP-87	ENG.	DATE	TITLE: SERVO CONTROL
	CHK'D.	DATE	BOSSO LOCATION:	SHEET 23 OF 26	REV. F
SCOPY: (CAMEY) SC2022.DRAWING-SEP-87 16:08 NEXT HIGHER ASSEMBLY: RAB2		FIRST USED ON OPTION/MODEL: K-DO-5416188-0-0		SIZE CODE K CS	NUMBER 5416188-0-0



THIS DRAWING AND SPECIFICATIONS ARE THE PROPERTY OF DIGITAL EQUIPMENT CORPORATION AND SHALL NOT BE REPRODUCED OR COPIED OR USED IN WHOLE OR IN PART AS THE BASIS FOR THE MANUFACTURE OR SALE OF ITEMS WITHOUT WRITTEN PERMISSION. COPYRIGHT © 1987, DIGITAL EQUIPMENT CORPORATION.

REVISIONS		
CHK	CHANGE NO.	REV

	DRN. S. SCHNEIDER	DATE 01-SEP-87	ENG.	DATE	TITLE:
	CHK'D.	DATE	BOARD LOCATION:	SHEET 23 OF 26	SERVO CONTROL
SOFT: CARRY 253023, DRN: 01-SEP-87 16:00 NEXT HIGHER ASSEMBLY: K-00-5416188-0-0					SIZE K CODE CS NUMBER 5416188-0-0 REV F



PRINTS ORIGINALLY AND SPECIFICATIONS HEREIN ARE THE PROPERTY OF DIGITAL EQUIPMENT CORPORATION AND SHALL NOT BE REPRODUCED OR COPIED OR USED IN WHOLE OR IN PART AS THE BASIS FOR THE MANUFACTURE OR SALE OF ITEMS WITHOUT WRITTEN PERMISSION. COPYRIGHT © 1987, DIGITAL EQUIPMENT CORPORATION.

REV.	CHANGE NO.	REV.

	DRN. G. SCHNEIDER	DATE 08-SEP-87	ENG.	DATE	TITLE:
	CHK'D.	DATE	BOARD LOCATION:	SHEET 24 OF 26	SERVO CONTROL
SCOPY: (CARTY) SC2027, DESIGN-SEP-87 15:08 NEXT HIGHER ASSEMBLY: K-DD-5416188-0-0					SIZE CODE NUMBER REV.
FIRST USED ON OPTION/MODEL: RA82					K CS 5416188-0-D F

8		7		6		5		4		3		2		1	
<p>Vertical location (A-D) Direction of line (Left, Right, Up, Down) or electrical (Input, Output, Both) or backplane pin (Pin)</p> <p>KEY: SS-VH, D</p> <p>Schematic Sheet Horizontal location (1-8)</p>															
+15.0V		1-A3,R		2-D4,D		2-D6,D		3-D2,D		3-D6,D		J10-6		1-A7,R	
		3-D7,D		4-C7,D		4-D6,D		6-D7,D		11-A3,D		11-D1,D		14-C5,D	
		15-C7,D		16-D4,D		22-A8,D		22-B8,D		22-C5,D		22-D6,L		24-C7,L	
+24.0V		1-C3,R		14-D3,D		22-D8,D									
+24.0V RTN		1-C3,R													
+5.0V		1-B7,D		1-D3,R		1-D5,L		3-A4,D		3-B4,D		3-B4,D		3-B4,D	
		3-B6,D		5-A3,D		5-B3,D		5-B3,D		5-C1,D		5-C1,D		5-C2,D	
		5-C3,D		5-C5,D		5-D5,D		5-D7,D		5-D7,D		7-A3,R		7-B6,D	
		7-B7,D		7-B8,R		7-D1,D		8-A7,D		8-B2,D		8-D3,D		8-D4,D	
		8-D6,D		8-D6,D		8-D7,D		9-B3,D		9-B4,D		9-C3,L		9-C4,L	
		9-C8,D		9-C8,D		9-D3,D		9-D4,D		9-D4,L		9-D5,D		9-D5,D	
		11-A5,R		11-B1,D		11-D6,D		12-C6,D		14-B4,D		14-B7,R		14-D7,D	
		15-B5,D		15-C1,D		15-C3,D		15-C5,D		15-D2,D		15-D3,D		15-D5,D	
		16-A7,D		16-B7,D		17-A6,D		17-A6,D		17-B5,R		17-B7,D		17-B8,D	
		19-B3,L		19-C2,D		19-D3,D		19-D4,D		19-D6,D		20-C8,D		21-A5,D	
		21-B5,D		21-B6,D		21-D5,D		22-D4,D		23-A4,R		23-B8,R		23-C8,R	
		23-C8,R		23-D8,R		24-A2,D		24-A4,L		24-A5,L		24-A6,L		24-B3,D	
		24-B6,L		24-B7,L		24-C6,L		24-C7,L		24-D6,L		24-D7,L			
+5.0V RTN		1-D3,R													
+6.0V		2-B5,D		2-D3,D											
+ACTUATOR		1-D3,R		14-C1,L											
+HEX BIT		3-D3,L		4-A8,R											
+HF FILTER		1-B7,R		2-D1,L		3-C8,R									
+V		17-B5,R		19-B8,R		21-B2,R		21-B5,R		21-B7,D		21-D5,L		21-D6,D	
		2-C1,L		3-B5,L											
-14.0V		1-A3,R		2-A3,D		2-B4,D		2-B7,D		2-C3,D		2-C6,D			
		3-B5,D		3-C2,D		3-C4,D		3-C7,D		4-A6,D		6-A4,D		6-C7,D	
		11-B3,D		14-B5,D		14-B6,U		16-B8,D		22-A8,D		22-B8,D		22-B8,D	
		22-C6,L		22-D1,L		24-A3,D		24-D5,R							
-24.0V		1-C3,R		14-A1,D		14-A5,D		14-A7,D		14-B3,L		22-C4,D			
		22-C8,D													
-24.0V RTN		1-C3,R													
-5.1V		2-C1,L		4-A4,R											
-5.2V		1-C3,R		6-B3,R											
-5.2VR		3-A8,R		6-B1,L		22-C3,R		23-A5,R		24-A7,L					
-8.2V		1-C6,L		2-B8,R											
-9.3V		22-D2,L		24-A2,L											
-HF FILTER		1-B7,R		2-C1,L		3-C8,R									
1/2 TRK H		9-C2,R		17-A1,L											
10.7MHz CNTR CK H		1-B3,R		5-A5,R		7-A3,L									
3.072 MHz CLK		9-A8,R		9-C5,R		17-A3,L									
A-B		4-D1,L		10-C8,R											
A-B BUF		9-D7,R		10-C1,L		11-C8,R									
A-B ENABLE H		10-D8,R		19-D6,L											
A-B ENABLE L		10-C8,R		19-C6,L											
A/D CLOCK		7-A4,L		16-D3,R											
ACCELERATION L		11-D5,L		19-C8,R											
ACTUATOR ENABLE H		14-A8,R		17-D1,L											
ACTUATOR RETURN		1-D3,R		14-D1,L											
ACTUATOR SOFT ENABLE H		17-B1,L		17-D3,R											
ACTUATOR SOFT ENABLE L		9-A8,R		17-B1,L											
AGC A+B L		2-A8,R		9-C1,L											
AGC C+D L		2-A8,R		9-C1,L											
AGC OFFSET L		2-B5,R		19-C6,L											
ALE H														17-B5,L	
B-A BUF														10-C1,L	
BREAK RUN RELAY L														19-A2,L	
BREAK START RELAY L														19-C2,L	
BUZZ														11-A4,L	
BYTE CLOCK L														1-D5,L	
C-D BUF														9-D7,R	
CLK MASTER DATA H														1-D5,L	
CLK SLAVE DATA L														18-A4,L	
COMP SUM														1-A4,R	
CURRENT FEEDBACK														1-A4,R	
D-C														4-C1,L	
D-C BUF														9-D7,R	
D-C ENABLE H														9-A8,R	
D-C ENABLE L														10-B8,R	
DAC														1-A3,R	
DAC 0 H														16-C8,R	
DAC 1 H														16-C8,R	
DAC 2 H														16-C8,R	
DAC 3 H														16-C8,R	
DAC 4 H														16-C8,R	
DAC 5 H														16-C8,R	
DAC 6 H														16-C8,R	
DAC 7 H														16-B8,R	
DAC FWD H														16-B6,R	
DETENT CURRENT COMMAND														13-B3,L	
DETENT ENABLE H														15-C1,L	
DETENT ENABLE L														9-B7,R	
DIFF CNTR = 0 H														15-D4,R	
DIFFERENCE CLK H														1-A7,R	
DISABLE SUM L														9-B8,R	
ENABLE DIFF CNTR CK H														9-B6,L	
ERROR L														9-B1,L	
EVEN TRACK H														1-C5,L	
EXTENDED SYNC H														5-C6,L	
FAST FINE TRACK H														15-A1,L	
FINE TRACK BUF L														1-C5,R	
FINE TRACK ENABLE L														15-A8,R	
FINE TRACK H														15-A3,L	
FINE TRACK L														15-B1,L	
FWD H														9-B2,R	
HIGH RES L														11-D4,R	
I LOCK IMBEDDED L														1-C5,R	
IMBED + DED														1-A5,R	
IMBED - DED														12-C1,L	
IMBED INNER														1-B8,R	
IMBED OK L														1-D5,R	
IMBED OUTER														1-B6,L	
IMBED RESET L														1-D5,L	
IMBED STROBE L														1-B6,L	
INDEX CLOCK H														7-A1,L	
INDEX DETECT L														1-B3,R	
INNER GUARD BAND L														1-B3,R	
INPUT MASTER DATA L														18-C4,L	
INPUT SLAVE DATA L														1-D5,L	
IO H														17-B5,R	
J1-4														1-B7,R	
J1-5														1-B7,R	
J10-1														1-A7,R	
J10-2														1-A7,R	
J10-3														1-A7,R	
J10-6														1-A7,R	
J10-7														1-A7,R	
J11-1														1-A5,R	
J11-2														1-A5,R	
J11-6														1-A5,R	
J11-8														1-A5,R	
J12-2														1-A4,R	
J12-3														1-A4,R	
J12-4														1-A4,R	
J12-5														1-A4,R	
J12-6														1-A4,R	
J12-7														1-A4,R	
J13-1														1-A3,R	
J13-2														1-A3,R	
J13-3														1-A3,R	
J2-1														1-B5,R	
J2-2														1-B5,R	
J2-3														1-B5,R	
J2-6														1-B5,R	
J2-7														1-B5,R	
J3-1														1-B4,R	
J3-3														1-B4,R	
J3-4															

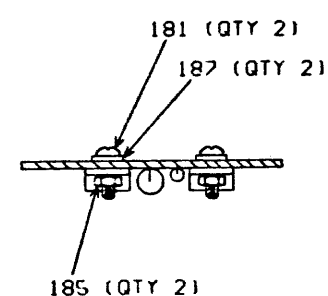
8		7		6		5		4		3		2		1	
PEAK D	2-A8,R	4-B1,L	SUN ENABLE L	9-C1,L	12-C8,R	SVC CLK H	1-D5,L	6-B1,L	SYNC GATE H	7-A1,L	8-B4,R	7-A3	4-8-88 19146	53	3215
PLO CLOCK	6-B1,L	7-B8,R	SVC CLK L	1-D5,R	6-B1,L	SYNC GATE L	1-B3,R	3-B5,R	7-B1,L	8-D7,R	1-C8,R	23879	3003	3215	
POS A L	4-C8,R	7-C1,L	SYNC GATE LOC	4-C8,R	7-B1,L	SYNC H	1-B4,R	3-B1,L	5-C8,R						
POS B L	4-B8,R	7-C1,L	SYNC RESET L	3-A2,R	5-C3,L	TACH PULSE H	1-D5,R	19-C8,R							
POS C L	4-A8,R	7-D1,L	TEMP SERVO H	14-D6,L	19-C8,R	TIMER H	17-B7,R	21-D5,L							
POS D L	4-B8,R	7-C1,L	TRK A L	9-C1,L	18-B4,R	TRK B L	9-C1,L	18-A4,R							
POS DED	1-A5,R	18-C1,L	TRK C L	9-C1,L	18-D4,R	TP, D L	9-C1,L	18-C4,R							
PREAMP +	1-B7,R	1-C8,R	TSB SERVO 00 H	1-C5,L	21-B1,L	TSB SERVO 01 H	1-C5,R	21-B1,L							
PREAMP -	1-B7,R	1-C6,L	TSB SERVO 02 H	1-C5,L	21-B1,L	TSB SERVO 03 H	1-C5,R	21-B1,L							
PREAMP GND	1-C8,R	2-C8,R	TSB SERVO 04 H	1-C5,L	21-B1,L	TSB SERVO 05 H	1-C5,R	21-A1,L							
PROC CLK OUT H	17-A3,L	19-B8,R	TSB SERVO 06 H	1-C5,L	21-A1,L	TSB SERVO 07 H	1-C5,R	21-A1,L							
PWR UP RESET L	1-C5,L	14-B8,R	VCO < 5 H	5-B5,R	5-D5,R	VCO > 5 H	5-B5,R	5-C5,R	7-A1,L						
RAM 0 ENABLE L	18-D4,L	19-A8,R	VEL A L	9-B1,L	11-A7,R	VEL B L	9-B1,L	11-B7,R							
RAM 1 ENABLE L	18-D4,L	20-B8,R	VEL C L	9-B1,L	11-B7,R	VEL D L	9-B1,L	11-B7,R							
RD L	17-B5,L	17-B5,R	VELOCITY	1-A5,R	11-B5,L	11-D6,R	12-B6,R								
RD TIMERS L	18-C4,L	21-C8,R	WR L	17-B5,R	17-B6,L	18-A7,R	19-B8,R	20-B8,R							
READ A/D L	16-D3,R	18-C4,L	WRT TIMERS L	18-B4,L	21-C8,R										
RESET PLO 0 L	5-A4,L	7-A8,R	VIAG	1-B7,D	1-C3,D	1-C3,D	2-A5,D	2-B5,D	2-C2,D						
RESET SERVO L	5-C6,R	8-D7,R	2-C2,D	2-C2,D	2-C3,D	2-C4,D	2-C7,D	2-C7,D	2-C7,D						
RESET SLAVE L	1-D5,L	17-B8,R	2-D4,D	2-D5,D	3-A4,D	3-A6,D	3-A7,D	3-B6,D	3-C3,D						
RETRACT ENABLE L	14-A4,R	19-C2,L	3-D3,D	3-D6,D	4-A1,D	4-A1,D	4-B1,D	4-B1,D	4-C2,D						
ROM 0 ENABLE L	17-B5,R	18-D4,L	4-C4,D	4-D2,D	4-D4,D	4-D4,D	6-A1,D	6-A4,D	6-B6,D						
ROM 1 ENABLE L	18-D4,L	19-A8,R	6-C7,D	6-D6,D	6-D7,D	9-C6,D	9-D6,D	10-A5,D	10-A6,D						
ROM 2 ENABLE L	18-D4,L	20-B8,R	10-C5,D	10-C6,D	11-A1,D	11-A2,D	11-A3,D	11-A8,D	11-B6,D						
ROM 3 ENABLE L	18-D4,L	20-B8,R	11-C3,D	11-C4,D	11-C4,D	11-D3,D	12-A3,D	12-A6,D	12-B2,D						
RUN VCO FASTER L	1-B4,R	5-B3,L	12-C2,D	12-C3,D	12-C8,D	12-D5,D	12-D7,D	13-A4,D	13-B5,D						
RUN VCO SLOWER L	1-B4,R	5-B3,L	13-C3,D	13-C5,D	13-C7,D	14-A2,D	14-A4,D	14-A6,D	14-B3,D						
SA10 H	17-C3,L	19-B8,R	14-B5,D	14-C3,D	14-C4,D	14-D4,D	15-A7,D	15-A8,D	15-B7,D						
SA11 H	17-C6,L	18-D7,R	15-C7,D	15-D6,D	15-D7,D	16-A6,D	16-A6,D	16-A8,D	16-B6,D						
SA12 H	17-C6,L	18-D7,R	16-C2,D	16-C3,D	16-C6,D	16-D4,D	16-D4,D	22-A2,D	22-A2,D						
SA13 H	17-C6,L	18-D7,R	22-A5,D	22-A6,D	22-A6,D	22-A8,D	22-B1,D	22-B2,D	22-B3,D						
SA14 H	17-C6,L	18-C7,R	22-B6,D	22-B6,D	22-B7,D	22-B8,D	22-C2,D	22-C2,D	22-C3,D						
SA15 H	17-C6,L	18-C7,R	22-C5,D	22-C8,D	22-D4,D	22-D5,D	23-A2,D	23-A3,D	23-A5,D						
SAB H	17-C3,L	19-B8,R	24-A3,D	24-A3,D	24-B5,D	24-D5,D									
SAB H	17-C3,L	19-B8,R	VIAG1	14-C6,D	14-D2,D										
SAD0 H	16-D1,L	17-B1,L													
SAD1 H	16-D1,L	17-B1,L													
SAD2 H	16-D1,L	17-B1,L													
SAD3 H	16-D1,L	17-B1,L													
SAD4 H	16-C1,L	17-C1,L													
SAD5 H	16-C1,L	17-C1,L													
SAD6 H	16-C1,L	17-C1,L													
SAD7 H	16-C1,L	17-C1,L													
SANITY TIMER CLK H	11-A5,R	19-A4,L													
SANITY TIMER H	17-B7,R	21-D5,L													
SEEK CURRENT COMMAND	11-D1,L	14-C8,R													
SEEK DONE H	15-A5,R	19-C3,L													
SEEK IN PROGRESS H	19-C6,L														
SEEK MODE H	12-A4,R	14-C8,R													
SEEK MODE L	14-C8,R	19-D3,L													
SERVO FAULT H	1-C5,R	17-D1,L													
SERVO PLO OK H	1-B3,R	3-B5,R													
SERVO PLO OK L	5-C6,R	8-D1,L													
SLAVE DATA RDY L	1-D5,L	19-C8,R													
SLV RST OUT H	17-B6,L	17-C5,R													
SOFT VEL H	1-D5,R	9-C2,R													
SOFT VEL L	4-A8,R	9-D8,R													
SPINDLE MTR RUN L	1-D5,L	19-C8,R													
SPINDLE MTR START L	1-D5,L	19-C8,R													
START SEEK H	11-C8,R	17-A1,L													
SUN ENABLE H	9-C1,L	12-C8,R													

THIS DRAWING AND SPECIFICATIONS ARE THE PROPERTY OF DIGITAL EQUIPMENT CORPORATION AND SHALL NOT BE REPRODUCED OR COPIED OR USED IN WHOLE OR IN PART AS THE BASIS FOR THE MANUFACTURE OR SALE OF ITEMS WITHOUT WRITTEN PERMISSION. COPYRIGHT © 1987, DIGITAL EQUIPMENT CORPORATION.

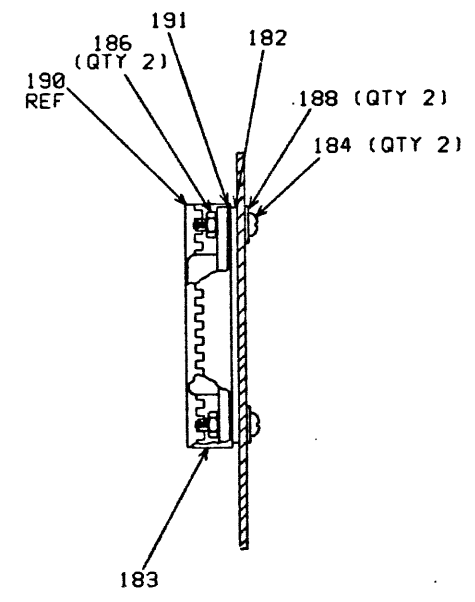
REV.	CHG	NO.	REV.

digital	DRN. G. SCHNEIDER	DATE 04-SEP-87	ENG.	DATE	TITLE: SERVO CONTROL
	CHK'D.	DATE	BOARD LOCATION: CDEDS	SHEET 26 OF 26	SIZE CODE NUMBER REV. K CS 5416188-0-D F
DSK: SC20.TAP 4.448		184-SEP-87 17:18 NEXT HIGHER ASSEMBLY:		FIRST USED ON OPTION MODEL: RAB2 K-DD-5416188-0-D	

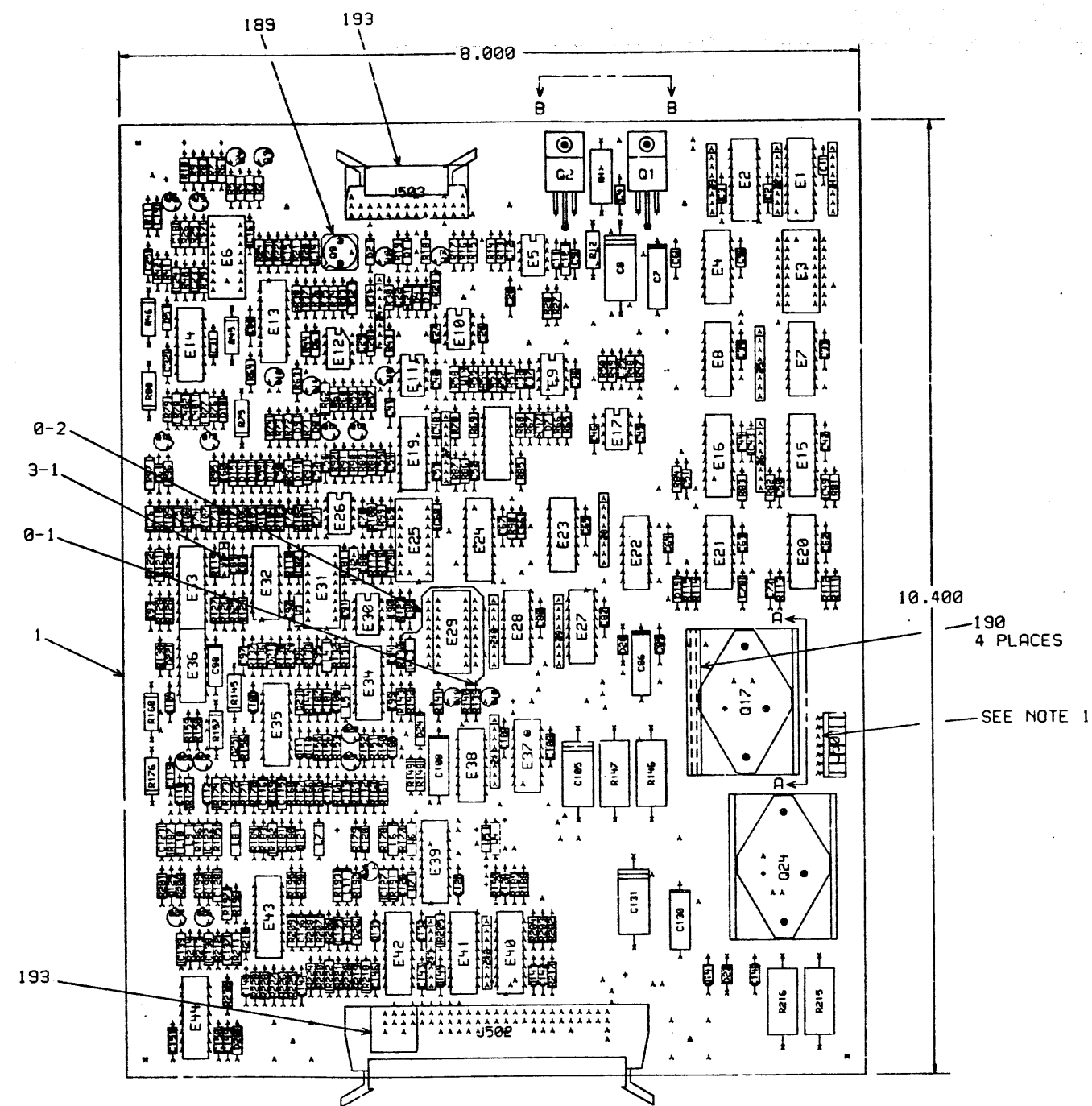
THIS DRAWING IS THE PROPERTY OF THE UNITED STATES GOVERNMENT AND IS LOANED TO YOU. IT AND ITS CONTENTS ARE NOT TO BE DISTRIBUTED OUTSIDE YOUR AGENCY. IT IS TO BE RETURNED TO THE SOURCE FROM WHICH IT WAS OBTAINED. THIS DRAWING IS NOT TO BE REPRODUCED OR TRANSMITTED IN ANY FORM OR BY ANY MEANS, ELECTRONIC OR MECHANICAL, INCLUDING PHOTOCOPYING, RECORDING, OR BY ANY INFORMATION STORAGE AND RETRIEVAL SYSTEM, WITHOUT PERMISSION IN WRITING FROM THE DIRECTOR, ARMY RESEARCH AND DEVELOPMENT COMMAND, WASHINGTON, D.C. 20315-5000.



VIEW B-B
SCALE: NONE



VIEW A-A
SCALE: NONE
2 PLACES



CHK	DRAWN BY	ENGINEER	CHANGE NO	DATE	REV
	M. MAJOR	F. PINTERIC	PET-500	25APR86	A
	M. MAJOR	F. PINTERIC	PET-500	14MAY86	B
	M. MAJOR	F. PINTERIC	PET-513	18JUN86	A
5187	M. MAJOR	F. PINTERIC	CH802 & CH824	18JUN86	B
5277	M. MAJOR	F. PINTERIC	CH802 & CH824	17JUL86	C
5316	M. MAJOR	A. MILLER	CH806	12MAY87	B
5982	J. WILLIAMS	A. MILLER	CH800	22OCT87	E

CHK	DRAWN BY	ENGINEER	CHANGE NO	DATE	REV

NOTES: 1. CUT PIN 5 AS SHOWN.
2. THE FOLLOWING ARE NOT INSERTED: E3, E29, H2, H4, H6, TP4, TP6, TP7, TP8, TP9, TP16, TP17, TP18, Q7, R65, R66, C51, J3, TP1, TP2, TP3, TP5, TP18-TP15, TP19, C84

ETCH REV. B1

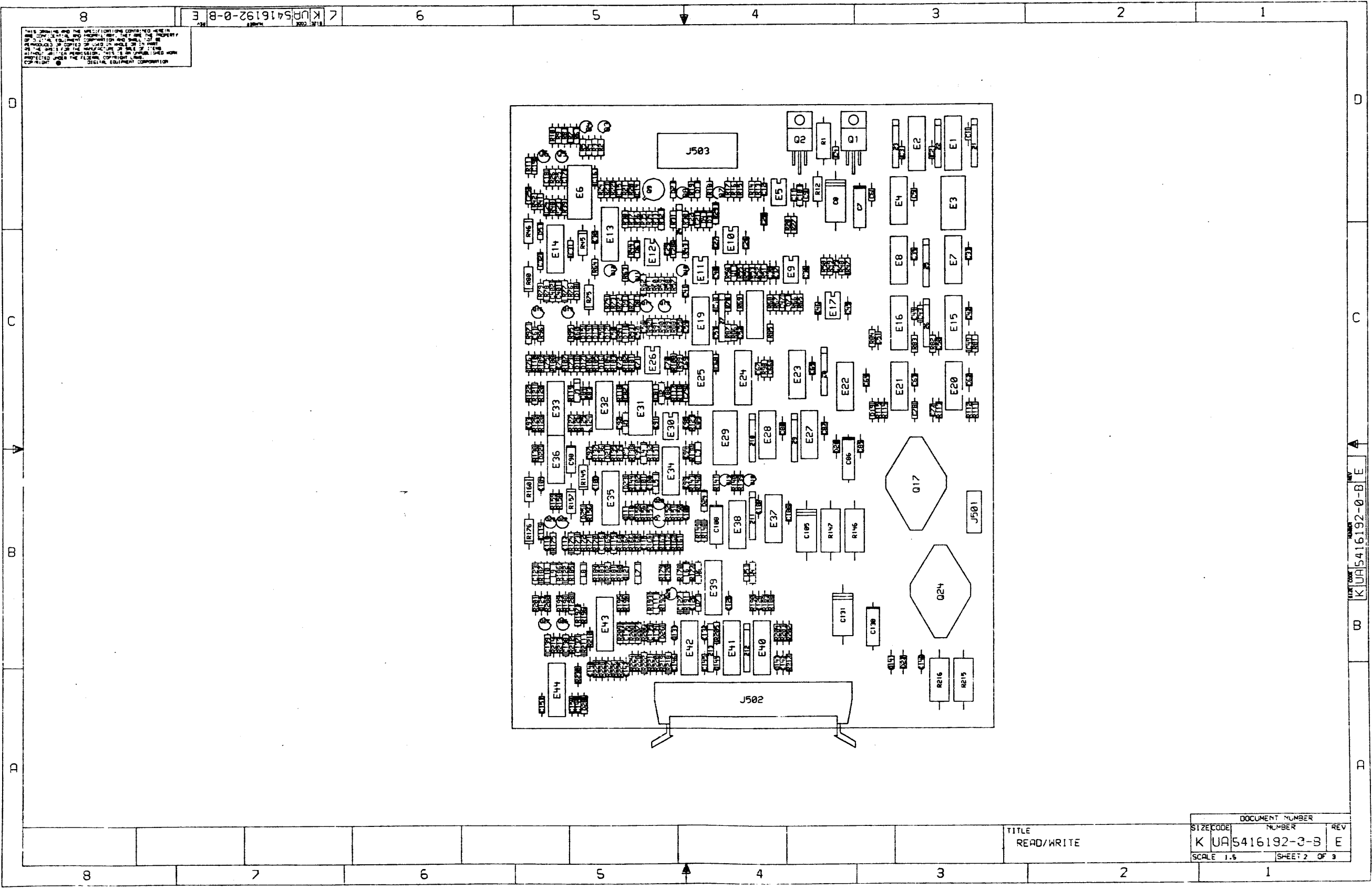
SIGNATURES	DATE	digital
DRAWN M. MAJOR	17APR86	TITLE READ/WRITE
CHECKED S. BOURBEAU	19JUN86	
MECH ENG F. PINTERIC	19JUN86	
PROD ENG M. EHRMANN	19JUN86	
SCALE 1:5		SIZE CODE NUMBER REV
SHEET 1 OF 3		K UA 5416192-2-3 IT
TOP DOC NO: K-DQ-5416192-0-0		

8 7 6 5 4 3 2 1

8 7 6 5 4 3 2 1

8 7 6 5 4 3 2 1

8 7 6 5 4 3 2 1



THIS DRAWING AND THE SPECIFICATIONS COVERED HEREIN ARE THE PROPERTY OF THE COMPANY AND SHALL REMAIN THE PROPERTY OF THE COMPANY. NO PART OF THIS DRAWING OR SPECIFICATION IS TO BE REPRODUCED OR TRANSMITTED IN ANY FORM OR BY ANY MEANS, ELECTRONIC OR MECHANICAL, INCLUDING PHOTOCOPYING, RECORDING, OR BY ANY INFORMATION STORAGE AND RETRIEVAL SYSTEM, WITHOUT THE WRITTEN PERMISSION OF THE COMPANY. THE COMPANY ACCEPTS NO LIABILITY FOR ANY DAMAGE TO PERSONS OR PROPERTY ARISING FROM THE USE OF THIS DRAWING OR SPECIFICATION. THE COMPANY SHALL NOT BE RESPONSIBLE FOR ANY LOSS OF PROFITS OR OTHER DAMAGES. THE COMPANY SHALL NOT BE RESPONSIBLE FOR ANY LOSS OF PROFITS OR OTHER DAMAGES. THE COMPANY SHALL NOT BE RESPONSIBLE FOR ANY LOSS OF PROFITS OR OTHER DAMAGES.

7 KUA5416192-0-B E

7 KUA5416192-0-B E

TITLE
READ/WRITE

DOCUMENT NUMBER		REV
SIZE	CODE	NUMBER
K	UA	5416192-3-B
E		
SCALE 1:5		SHEET 2 OF 3

8 7 6 5 4 3 2 1

THIS DRAWING AND THE SPECIFICATIONS CONTAINED HEREIN ARE THE PROPERTY OF KUDAS. NO PART OF THIS DRAWING OR SPECIFICATIONS IS TO BE REPRODUCED OR COPIED IN ANY MANNER WITHOUT THE WRITTEN PERMISSION OF KUDAS. THIS IS A LEGAL DOCUMENT. PROTECTED UNDER THE FEDERAL COPYRIGHT LAW. CONTROL © DIGITAL EQUIPMENT CORPORATION

INITIAL

COMPONENT MODIFY

0-1 LIFT LEG ON R139 PIN 1

WIRE ADDS (SIDE 1)

0-2 ADD WIRE FROM R139 PIN 1 (LIFTED LEG) TO R130 PIN 1

5416192-CX003

COMPONENT DELETE SIDE 1

3-1 DELETE C84

D

C

B

D

C

A

B

D

REV
K U A 5416192-0-B E

										TITLE READ/WRITE		DOCUMENT NUMBER		
												SIZE/	NUMBER	REV
												K U A	5416192-0-B	E
												SCALE 1:5	SHEET 3 OF 3	

8

7

6

5

4

3

2

1

LINE ITEM	TOP DOCUMENT	PART NUMBER	MIN REV	DESCRIPTION	QTY PER VAR/REV	REFERENCE DESIGNATORS	
1	1 K-DD-5016191-0-B	50-16191-01	B	DRILL AND ETCH	1		
2	2	10-01610-00		0.010MFD 50V +80/-20% Z5U C	92	C1-C3,C5,C6,C9,C11,C14-C16, CONT C19-C22,C25-C28,C30-C34,C36, CONT C37,C40-C42,C44-C47,C52-C54, CONT C56-C58,C60-C65,C67,C68, CONT C70-C72,C74,C76,C77,C79, CONT C81-C83,C85,C87,C88,C90-C94, CONT C97,C99,C103,C104,C106,C107, CONT C109-C111,C114,C119,C121, CONT C124-C126,C129,C132-C134,C140, CONT C141,C143,C144,C147-C151	
3	3	10-12783-00		0.022MFD 50V +80/-20% Z5U C	3	C73,C75,C78	
4	4	10-13466-01	10	PFD 50V +/- 5% NPO C	4	C23,C24,C80,C142	
5	5	10-13466-03	27	PFD 50V +/- 5% NPO C	1	C135	
6	6	10-13466-04	33	PFD 50V +/- 5% NPO C	4	C29,C117,C118,C136	
7	7	10-13466-07	220	PFD 50V +/- 5% NPO C	3	C12,C35,C38	
8	8	10-13466-09	1000	PFD 50V +/-10% X7R C	4	C101,C102,C112,C113	
9	9	10-13466-12	2200	PFD 50V +/-10% X7R C	1	C49	
10	10	10-13466-13	39	PFD 50V +/- 5% NPO C	2	C401,C402	
11	11	10-13466-17	150	PFD 50V +/- 5% NPO C	1	C127	
12	12	10-13466-18	330	PFD 50V +/- 5% NPO C	2	C13,C39	
13	13	10-13466-22	0.10	MFD 50V +80/-20% Z5U C	3	C4,C10,C120	
14	14	10-13466-25	68	PFD 50V +/- 5% NPO C	4	C122,C123,C128,C137	
15	15	10-13466-26	120	PFD 50V +/- 5% NPO C	3	C89,C95,C100	
16	16	10-13466-27	820	PFD 50V +/- 5% NPO C	2	C115,C116	
17	17	10-13466-34	4700	PFD 50V +/- 5% X7R C	2	C145,C146	
18	18	10-13466-44	8200	PFD 50V +/- 5% X7R C	1	C59	
19	19	10-13466-36	1000	PFD 50V +/- 2% NPO C	7	C43,C48,C50,C55,C66,C69,C96	
20	20	10-13466-43	*** THIS ITEM IS NOT USED ***			-	
21	21	10-13466-56	*** THIS ITEM IS NOT USED ***			-	
22	22	10-15573-00		0.027MFD 50V +/- 5% X7R C	4	C17,C18,C138,C139	
23	23	10-15573-02		0.10 MFD 50V +/-10% X7R C	1	C98	

REVISION HISTORY			KPL MODULE FORMAT		SECTION A OF A	DRN:	W.MAJOR	DIGITAL			
ENG	ECO NUMBER	REV	SECTION/VARIATION INDEX			DATE:					
			[A]	01	[M]	18-JUN-85	S. BOURBEAU	TITLE PARTS LIST			
FP	PET-513	A	[A]		[M]	18-JUN-85		READ/WRITE			
FP	5416192-CX002	B	[B]		[N]						
FP	5416192-CX003	C	[C]		[P]		DES.ENG: F.PINTERIC				
FP	5416192-CX005	D	[D]		[Q]	18-JUN-85		DOCUMENT NUMBER			
AM	5416192-CX006	E	[E]		[R]			SIZE	CODE	NUMBER	REV
AM	5416192-CX007	F	[F]		[S]		RESP.ENG.: F.PINTERIC	K	PL	5416192-0-DBPB	H
AM	5416192-CX008	H	[H]		[T]	18-JUN-85		RELEASE DATE: 29-OCT-87			
			[J]		[V]			RELEASE STATUS: RELEASED			
			[K]		[W]		MFG.ENG: D.KILDERECK				
			[L]		[Y]	18-JUN-85					
			BASIC PART NUMBER:		ASSEMBLY NUMBER:	TOP DOCUMENT NUMBER:	FILE NAME:	EDIT #			
			5416192		K-UA-5416192-0-B	K-DD-5416192-0-0	Z6122H.PLS	2			

"THIS DRAWING AND THE SPECIFICATIONS CONTAINED HEREIN ARE CONFIDENTIAL AND PROPRIETARY. THEY ARE THE PROPERTY OF DIGITAL EQUIPMENT CORPORATION AND SHALL NOT BE REPRODUCED OR COPIED OR USED IN WHOLE OR IN PART AS THE BASIS FOR THE MANUFACTURE OR SALE OF ITEMS WITHOUT WRITTEN PERMISSION. THIS IS AN UNPUBLISHED WORK PROTECTED UNDER THE FEDERAL COPYRIGHT LAWS."

LINE	ITEM	TOP DOCUMENT	PART NUMBER	MIN REV	DESCRIPTION	QTY	PER VAR/REV	REFERENCE DESIGNATORS
						01		
						C5		
24	24		10-16555-00	22	MFD 50V +50/-10% ALU	3		C8,C105,C131
25	25		10-17472-00	10	MFD 35V +75/-10% ALU	4		C7,C86,C108,C130
26	26		10-17472-01		*** THIS ITEM IS NOT USED ***	-		
27	27		11-02808-00		VZ= 5.6 5% 400 MW 1N752A	2		D5,D10
28	28		11-05275-00		PIV= 60 IO=300 MA -15NS	1		D24
29	29		11-05796-00		PIV= 400 IO= 1.00A 1N4004 DO-41	2		D20,D27
30	30		11-05871-00		VZ= 5.15 1% 250 MW	4		D6,D11,D26,D28
31	31		11-09991-00		VZ= 6.8 5% 400 MW 1N754A	1		D25
32	32		11-10994-00		VZ= 5.1 5% 400 MW 1N751A	1		D22
33	33		11-13003-00		PIV= 55 IO=200 MA - 4NS 1N5282	16		D1-D4,D8,D9,D12-D19,D21,D23
34	34		12-12518-11		*** THIS ITEM IS NOT USED ***	-		
35	35		12-16832-01		PCB,HEADER 26POS(2X13).100CC 90D	1		J503
36	36		12-14434-00		PCB,HEADER 07PIN(1X06).100CC 90D	1		J501
37	37		12-16832-03		PCB,HEADER 50POS(2X25).100CC 90D	1		J502
38	38		13-00197-00	33.0	.25 W 5.0 % CF	2		R2,R4
39	39		13-00202-00	47.0	.25 W 5.0 % CF	3		R29,R90,R91
40	40		13-00229-00	100.0	.25 W 5.0 % CF	29		R9,R10,R17,R39,R41,R76,R79, CONT R119,R120,R131,R132,R141,R153, CONT R158,R159,R161,R167,R168,R171, CONT R172,R180,R181,R192,R196, CONT R199-R201,R210,R227
41	41		13-00250-00	150.0	.25 W 5.0 % CF	1		R190
42	42		13-00295-00	330.0	.25 W 5.0 % CF	2		R18,R57
43	43		13-00296-00	330.0	.50 W 5.0 % CF	2		R145,R157
44	44		13-00308-00	390.0	.50 W 5.0 % CF	4		R45,R46,R75,R80
45	45		13-00309-00	390.0	.25 W 5.0 % CF	1		R148
46	46		13-00316-00	470.0	.25 W 5.0 % CF	6		R34,R58,R63,R64,R111,R112
47	47		13-00365-00	1.0 K	.25 W 5.0 % CF	5		R125,R179,R202,R206,R217
48	48		13-00391-00	1.50 K	.25 W 5.0 % CF	1		R114
49	49		13-00398-00	1.80 K	.25 W 5.0 % CF	1		R121
50	50		13-00426-00	2.70 K	.25 W 5.0 % CF	3		R59,R213,R214
51	51		13-00432-00	3.0 K	.25 W 5.0 % CF	2		R69,R139
52	52		13-00439-00	3.30 K	.25 W 5.0 % CF	3		R60,R95,R96
53	53		13-00447-00	4.70 K	.25 W 5.0 % CF	1		R205
54	54		13-00539-00	120.0 K	.25 W 5.0 % CF	1		R137
55	55		13-01317-00	10.0	.25 W 5.0 % CF	1		R115
56	56		13-01320-00	1.20 K	.25 W 5.0 % CF	1		R73
57	57		13-01423-00	6.80 K	.25 W 5.0 % CF	2		R89,R173
58	58		13-01425-00	300.0	.25 W 5.0 % CF	1		R97
59	59		13-01477-00	82.0	.25 W 5.0 % CF	4		R11,R113,R188,R189
60	60		13-01969-00	22.0	.25 W 5.0 % CF	1		R33
61	61		13-02377-00	39.0	.25 W 5.0 % CF	2		R99,R116
62	62		13-02388-00	2.0 K	.25 W 5.0 % CF	1		R140
63	63		13-02612-00	1.78 K	.25 W 1.0 % RN55D-F10	4		R28,R55,R127,R128
64	64		13-02644-00	226.0	.25 W 1.0 % RN55D-F10	1		R27
65	65		13-02685-00	909.0	.25 W 1.0 % RN55D-F10	1		R38
66	66		13-02857-00	80.60	.25 W 1.0 % RN55D-F10	1		R191
67	67		13-02858-00	100.0	.25 W 1.0 % RN55D-F10	4		R35,R61,R85,R88
68	68		13-02931-00	49.90	.25 W 1.0 % RN55D-F10	2		R3,R5
69	69		13-02941-00	14.70 K	.25 W 1.0 % RN55D-F10	2		R126,R138

D	I	G	I	T	A	L	TITLE	SECTION A	OF A	SIZE	CODE	DOCUMENT NUMBER	REV
							READ/WRITE			K	PL	5416192-0-DBPB	H

PARTS LIST

LINE	ITEM	TOP DOCUMENT	PART NUMBER	MIN REV	DESCRIPTION	QTY PER VAR/REV	REFERENCE DESIGNATORS
						01 C5	
70	70		13-03045-00	3.16 K	.25 W 1.0 % RN55D-F10	5	R25,R26,R94,R162,R163
71	71		13-03047-00	464.0	.25 W 1.0 % RN55D-F10	1	R43
72	72		13-03064-00	75.0	.25 W 1.0 % RN55D-F10	2	R36,R53
73	73		13-03114-00	1.0 K	.25 W 1.0 % RN55D-F10	11	R19,R37,R40,R42,R44,R165,R166, CONT R194,R195,R198,R212
74	74		13-03179-00	8.20 K	.25 W 5.0 % CF	1	R156
75	75		13-03226-00	68.10	.25 W 1.0 % RN55D-F10	1	R32
76	76		13-03312-00	10.0 K	.25 W 1.0 % RN55D-F10	4	R13,R14,R123,R135
77	77		13-03378-00	10.0	.25 W 1.0 % RN55C-F 5	1	R30
78	78		13-04839-00	51.0 K	.25 W 5.0 % CF	1	R149
79	79		13-04854-00	5.11 K	.25 W 1.0 % RN55D-F10	3	R124,R130,R136
80	80		13-04856-00	4.64 K	.25 W 1.0 % RN55D-F10	1	R143
81	81		13-04858-00	348.0	.25 W 1.0 % RN55D-F10	2	R31,R109
82	82		13-04863-00	316.0	.25 W 1.0 % RN55D-F10	5	R178,R203,R204,R225,R228
83	83		13-05108-00	1.47 K	.25 W 1.0 % RN55D-F10	7	R22-R24,R100,R107,R108,R144
84	84		13-05122-00	51.10	.25 W 1.0 % RN55D-F10	1	R50
85	85		13-05123-00	215.0	.25 W 1.0 % RN55D-F10	4	R20,R21,R207,R208
86	86		13-05125-00	383.0	.25 W 1.0 % RN55D-F10	1	R229
87	87		13-05128-00	5.62 K	.25 W 1.0 % RN55D-F10	3	R49,R51,R52
88	88		13-05143-00	825.0	.25 W 1.0 % RN55D-F10	6	R154,R155,R182,R185,R221,R230
89	89		13-05146-00	8.87 K	.25 W 1.0 % RN55D-F10	1	R103
90	90		13-05252-00	68.10 K	.25 W 1.0 % RN55D-F10	1	R48
91	91		13-05253-00	7.15 K	.25 W 1.0 % RN55D-F10	3	R71,R72,R110
92	92		13-05324-00	4.99 K	.25 W 1.0 % RN55D-F10	1	R101
93	93		13-05374-00	910.0	.25 W 5.0 % CF	1	R93
94	94		13-05405-00	24.90 K	.25 W 1.0 % RN55D-F10	1	R84
95	95		13-09416-00	31.60 K	.25 W 1.0 % RN55D-F10	2	R133,R164
96	96		13-09417-00	27.40 K	.25 W 1.0 % RN55D-F10	1	R81
97	97		13-10630-00	1.33 K	.25 W 1.0 % RN55D-F10	2	R150,R151
98	98		13-10634-00	2.67 K	.25 W 1.0 % RN55D-F10	1	R134
99	99		13-11594-00	30.10 K	.25 W 1.0 % RN55D-F10	1	R117
100	100		13-11653-00	*** THIS	ITEM IS NOT USED ***	-	
101	101		13-11845-00	487.0	.25 W 1.0 % RN55D-F10	2	R70,R87
102	102		13-12479-00	*** THIS	ITEM IS NOT USED ***	-	
103	103		13-12546-00	16.50 K	.25 W 1.0 % RN55D-F10	1	R83
104	104		13-12922-00	536.0	.25 W 1.0 % RN55D-F10	2	R219,R224
105	105		13-12930-00	5.10 K	.25 W 5.0 % CF	1	R177
106	106		13-13153-00	28.0 K	.25 W 1.0 % RN55D-F10	1	R82
107	107		13-13341-00	5.36 K	.25 W 1.0 % RN55D-F10	2	R92,R118
108	108		13-13585-00	*** THIS	ITEM IS NOT USED ***	-	
109	109		13-13590-00	1.50 K	.25 W 1.0 % RN55D-F10	3	R66,R68,R102
110	110		13-13591-00	1.65 K	.25 W 1.0 % RN55D-F10	1	R106
111	111		13-13592-00	4.87 K	.25 W 1.0 % RN55D-F10	2	R220,R223
112	112		13-13594-00	14.0 K	.25 W 1.0 % RN55D-F10	2	R122,R129
113	113		13-13595-00	17.40 K	.25 W 1.0 % RN55D-F10	1	R98
114	114		13-13596-00	20.0 K	.25 W 1.0 % RN55D-F10	2	R15,R16
115	115		13-13840-00	4.53 K	.25 W 1.0 % RN55D-F10	1	R104
116	116		13-14863-00	210.0	.25 W 1.0 % RN55D-F10	2	R218,R222
117	117		13-14954-00	430.0	.50 W 5.0 % CF	2	R160,R176
118	118		13-15096-00	1.87 K	.25 W 1.0 % RN55D-F10	1	R142

D	I	G	I	T	A	L	TITLE	SECTION A	OF A	SIZE	CODE	DOCUMENT NUMBER	REV
							READ/WRITE			K	PL	5416192-0-DBPB	H

LINE	ITEM	TOP DOCUMENT	PART NUMBER	MIN REV	DESCRIPTION	QTY PER VAR/REV	REFERENCE DESIGNATORS
						01 C5	
119	119		13-16254-00		R. NET 470.0 - 7 2.0	3	Z3,Z12,Z13
120	120		13-16254-01		R. NET 4.7K- 7 2.0	8	Z1,Z2,Z5,Z6,Z8-Z11
121	121		13-16736-00		374.0 .25 W 1.0 % RN55D-F10	2	R56,R209
122	122		13-16836-00		402.0 .25 W 1.0 % RN55D-F10	2	R6,R7
123	123		13-16837-00		412.0 .25 W 1.0 % RN55D-F10	5	R54,R77,R78,R197,R211
124	124		13-16842-00		6.34 K .25 W 1.0 % RN55D-F10	1	R47
125	125		13-16845-00		3.30 .50 W 5.0 % CF	1	R12
126	126		13-17398-00		4.22 K .25 W 1.0 % RN55D-F10	1	R74
127	127		13-17404-00		249.0 .25 W 1.0 % RN55D-F10	1	R226
128	128		13-17405-00		1.24 K .25 W 1.0 % RN55D-F10	2	R169,R170
129	129		13-18150-02		475.0 .25 W 1.0 % RN55D-F10	1	R152
130	130		13-18150-06		976.0 .25 W 1.0 % RN55D-F10	2	R183,R184
131	131		13-18150-10		*** THIS ITEM IS NOT USED ***	-	
132	132		13-18150-12		8.06 K .25 W 1.0 % RN55D-F10	1	R105
133	133		13-18150-90		69.80 .25 W 1.0 % RN55D-F10	1	R193
134	134		13-18341-18		267.0 .25 W 1.0 % RN55D-F10	2	R174,R175
135	135		13-18341-23		332.0 .25 W 1.0 % RN55D-F10	2	R186,R187
136	136		13-18341-38		2.87 K .25 W 1.0 % RN55D-F10	1	R62
137	137		13-18532-05		R. NET 10.0K- 4 2.0	2	Z4,Z7
138	138		13-19169-01		200.0 .25 W 1.0 % RN55D-F10	1	R8
139	139		13-19470-06		5.10 1.0 W 5.0 % M.OXIDE	1	R1
140	140		13-19471-01		*** THIS ITEM IS NOT USED ***	-	
141	141		13-19471-02		15.0 2.0 W 5.0 % M.OXIDE	4	R146,R147,R215,R216
142	142		15-01881-00		DEC2219 NPN 3WC SI 30100	1	Q9
143	143		15-09524-00		2N 3904 NPN 310MW SI 40 40 M	17	Q3-Q8,Q14-Q16,Q19-Q23,Q25-Q27
144	144		15-09525-00		2N 3906 PNP 310MW SI 40100 Y	5	Q10-Q13,Q18
145	145		15-17998-00		3127 NPN 425MW ARRAY 16PIN	3	E33,E35,E43
146	146		16-01562-00		1.0 UH 10% 475MA #DD1.00	1	L6
147	147		16-09756-00		2.2 UH 10% 760MA #DD2.20	1	L11
148	148		16-12946-02		22.0 UH 10% Q MIN=50@2.5MHZ	2	L7,L8
149	149		16-12946-06		8.2 UH 2% Q MIN=55@7.9MHZ	2	L4,L5
150	150		16-12946-07		220 UH 10% Q MIN=26@.79MHZ	1	L3
151	151		16-12946-15		5.6 UH 2% Q MIN=50@7.9MHZ	2	L9,L10
152	152		19-09929-00		7417 BUFFER GATE-HEX 1INP	1	E27
153	153		19-10436-00	DEC	74123 ONE SHOT-DUAL,RETRIG	3	E15,E16,E24
154	154		19-10644-00		733 DIFFERENTIAL AMP,WID	2	E14,E36
155	155		19-10735-02		318 OP AMP	3	E10,E26,E30
156	156		19-10741-00		7406 INVERTER GATE-HEX 1I	2	E28,E38
157	157		19-11143-00	DEC	201A OP AMP	1	E12
158	158		19-11414-00		10124 TTL TO ECL TRNSLTR	1	E2
159	159		19-11416-00		10131 FF, DUAL D MSTR/SLAV	2	E13,E41
160	160		19-12108-00		LM339 VOLT CMPRTR,QUAD	1	E18
161	161		19-12389-00		74S08 AND GATE-QUAD 2IN,PO	1	E37
162	162		19-12792-01		7915CKVOLT REG,FIX -15V	1	Q24
163	163		19-12799-00		LS00 NAND-GATE-QUAD 2IN,P	2	E4,E21
164	164		19-12801-00		LS02 NOR-GATE-QUAD 2IN	1	E8
165	165		19-12803-00		LS04 INVERTER GATE,HEX	1	E22
166	166		19-12824-00		LS74 FF-D DUAL,EDGE TRIGG	2	E7,E23
167	167		19-12829-00		LS86 X-OR GATE-QUAD 2IN	1	E20
168	168		19-13017-00		3046 XSISTOR ARRAY,3 ISOL	1	E34

D	I	G	I	T	A	L	TITLE	SECTION A OF A	SIZE	CODE	DOCUMENT NUMBER	REV
							READ/WRITE		K	PL	5416192-0-DBPB	H

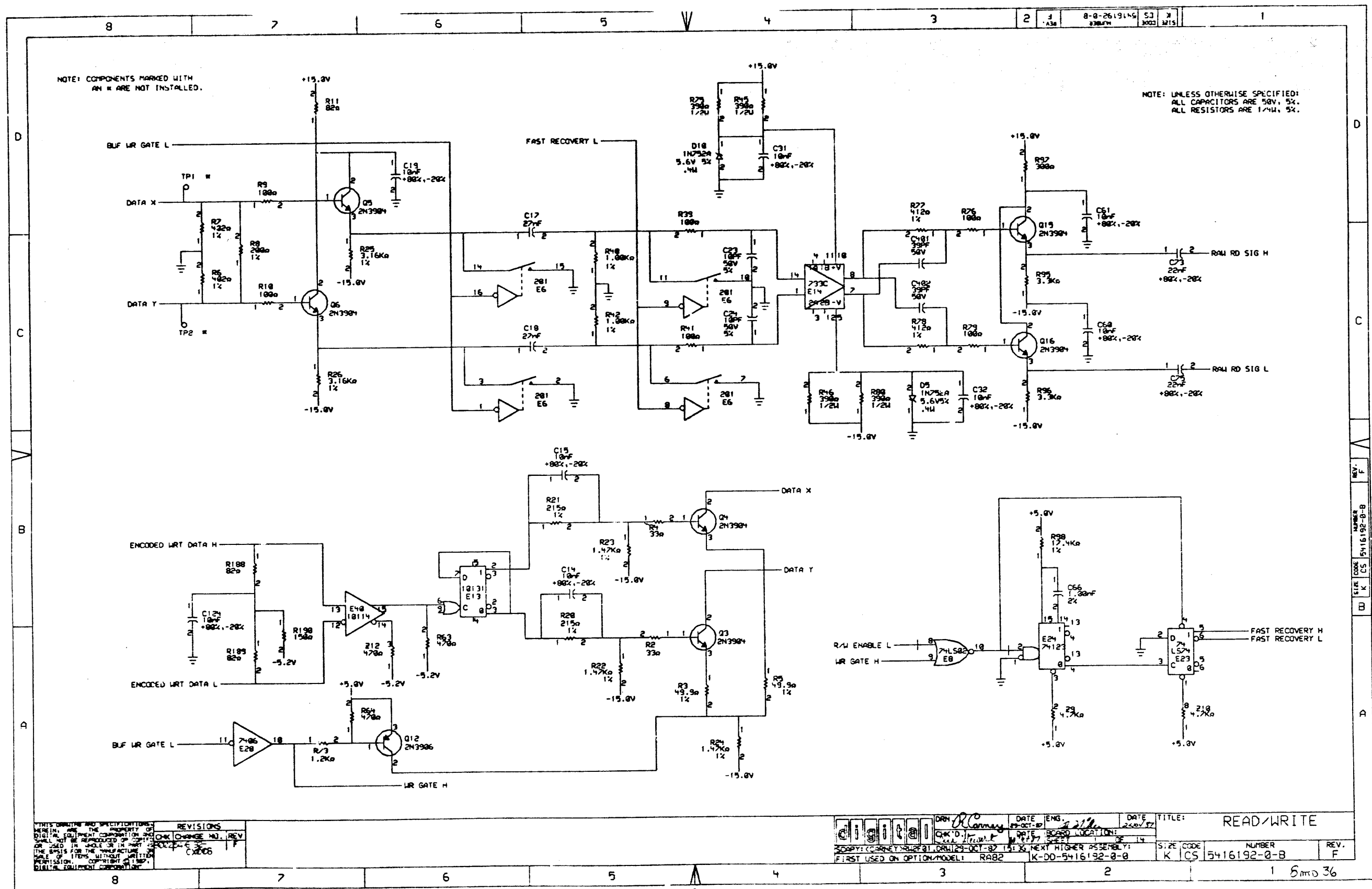
AUTOMATED BY VAXKPL (V1.3)

PARTS LIST

SHEET A5 OF A5

LINE	ITEM	TOP DOCUMENT	PART NUMBER	MIN REV	DESCRIPTION	QTY PER VAR/REV	REFERENCE DESIGNATORS
						01 C5	
169	169		19-14140-00	LM	311N VOLT CMPRTR	4	E5,E9,E11,E17
170	170		19-14473-00	DEC	7815 VOLT REG, FIX +15V	1	Q17
171	171		19-14485-01	TL	084ACNOP AMP, QUAD JFET	2	E19,E32
172	172		19-15186-00	AM	687DL VOLT. COMPARATOR, DUA	2	E39,E42
173	173		19-16244-01		317 VOLT REG, VAR 1/37V	1	Q2
174	174		19-16543-00		7806 VOLT REG, FIX +6V	1	Q1
175	175		19-16574-00		10114 RECEIVER, LINE, TRIPLE	1	E40
176	176		19-19580-01		LS145 DECODER, BCD/DECIMAL	1	E1
177	177		21-19305-01		201 SWITCH, ANALOG, QUAD	4	E6,E25,E31,E44
178	178		21-20322-01		*** THIS ITEM IS NOT USED ***	-	
179	179		90-09185-00		JUMPER, WIRE, INSULATED, BLACK B	5	R67,W1,W3,W5,W7
180	180		90-09217-00		*** THIS ITEM IS NOT USED ***	-	
181	181		90-06010-01		SCREW, MACH PAN PHIL 4-	2	
182	182		12-15580-00		INSULATOR, MOLDED	2	
183	183		12-16471-01		HEAT SINKS, TO-3/TO-66 1.531X1.25	2	
184	184		90-06024-01		SCREW, MACH PAN PHIL 6-	4	
185	185		90-06557-00		NUT, HEX EXT TOOTH LCKWSHR 4-40	2	
186	186		90-06560-00		NUT, HEX EXT TOOTH LCKWSHR 6-32	4	
187	187		90-06655-00		WASHER, FLAT SST	2	
188	188		90-06633-00		WASHER, LOCK INTERNAL STEEL	4	
189	189		90-07254-00		TRANSIPADS #10146	1	
190	190		90-07035-00		GROMMET, CATERPILLAR POLYAMIDE	A/R	
191	191		12-13071-02		INSULATOR, RUBBER SILICONE SM	2	
192	192		91-05740-55		WIRE (WRAP) 30AWG KYNAR UL14	A/R	
193	193		36-18745-00		TAPE, POLYMDE ADH .50 WDX .00	A/R	

D	I	G	I	T	A	L	TITLE	SECTION A OF A	SIZE	CODE	DOCUMENT NUMBER	REV
							READ/WRITE		K	PL	5416192-0-DBPB	H



NOTE: COMPONENTS MARKED WITH AN * ARE NOT INSTALLED.

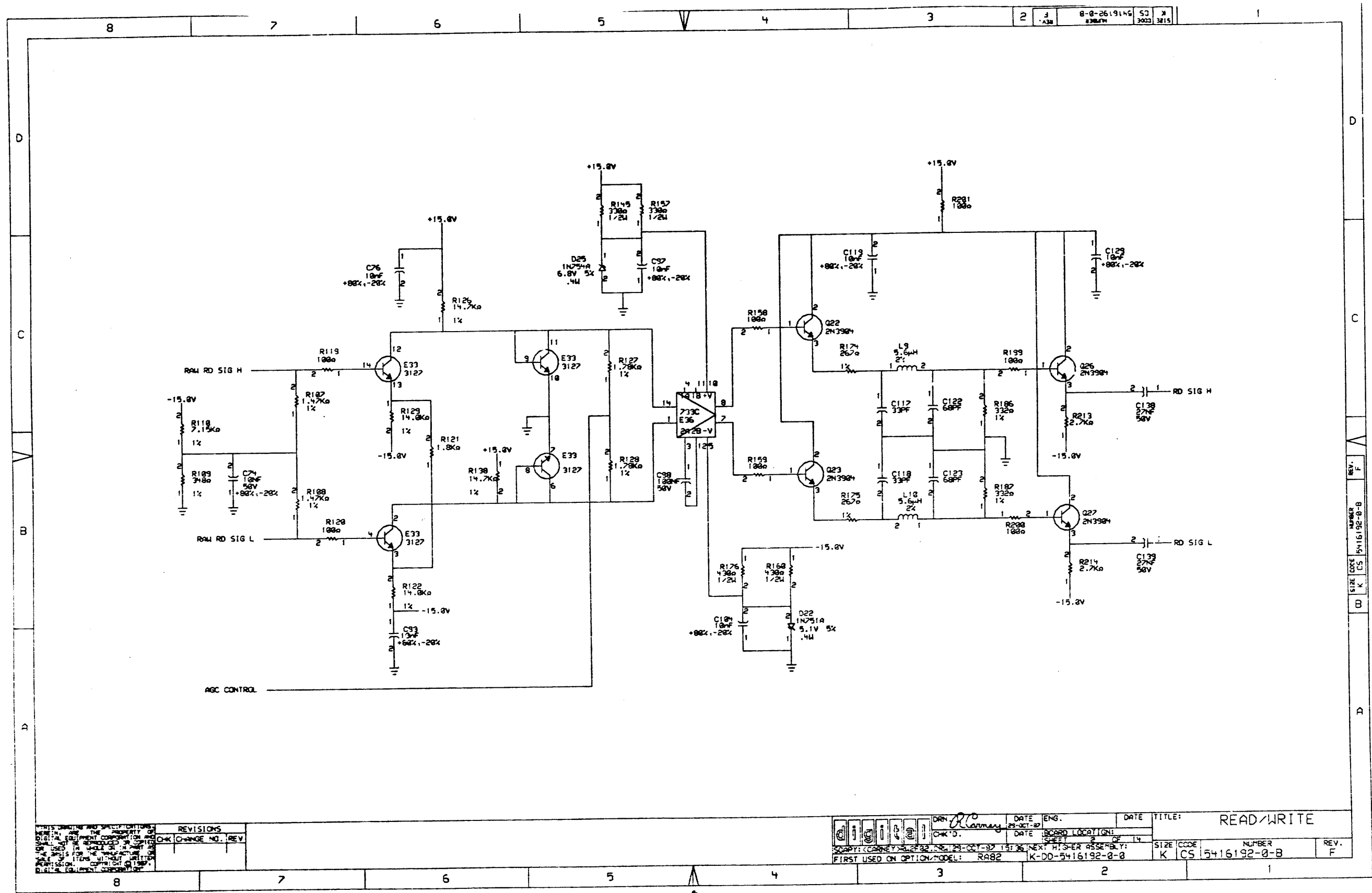
NOTE: UNLESS OTHERWISE SPECIFIED: ALL CAPACITORS ARE 50V, 5%. ALL RESISTORS ARE 1/4W, 5%.

THIS DRAWING AND SPECIFICATIONS HEREIN ARE THE PROPERTY OF DIGITAL EQUIPMENT CORPORATION AND SHALL NOT BE REPRODUCED OR COPIED OR USED IN WHOLE OR IN PART FOR ANY PURPOSES WITHOUT THE WRITTEN PERMISSION OF DIGITAL EQUIPMENT CORPORATION.

REV.	CHG.	DATE	BY
1			

REV.	CHG.	DATE	BY
1			

DATE: 2-20-67	ENG: R. J. ...	DATE: 2-20-67	TITLE: READ/WRITE
DESIGN: RAB2	DATE: 2-20-67	SIZE: K CS	NUMBER: 5416192-0-B
FIRST USED ON OPTION MODEL: RAB2	DATE: 2-20-67	REV.:	F

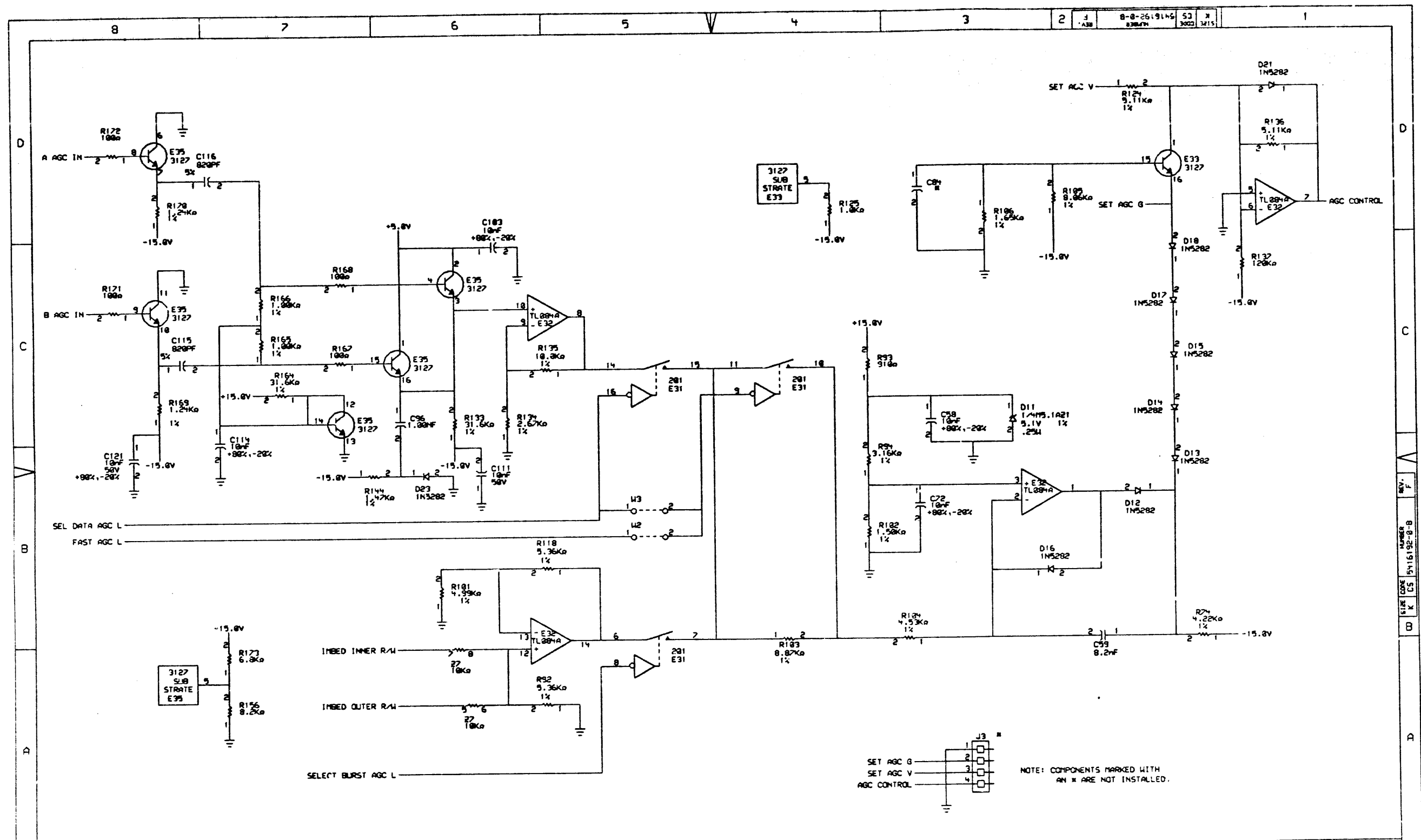


8-8-2619145 SC 3003 3815

PRINTS DRAWING AND SPECIFICATION HEREIN ARE THE PROPERTY OF DIGITAL EQUIPMENT CORPORATION AND ARE NOT TO BE REPRODUCED OR COPIED IN WHOLE OR IN PART FOR ANY PURPOSES WITHOUT THE WRITTEN PERMISSION OF DIGITAL EQUIPMENT CORPORATION.

REV.	CHANGE NO.	REV.

DRN: <i>OC</i>	DATE: 29-OCT-67	ENG.	DATE:	TITLE: READ/WRITE
CHK'D:	DATE:	BOARD LOCATION:	SHEET: 2 OF 14	SIZE CODE: K CS
FIRST USED ON OPTION MODEL: RAB2			NUMBER: 5416192-0-B	REV. F



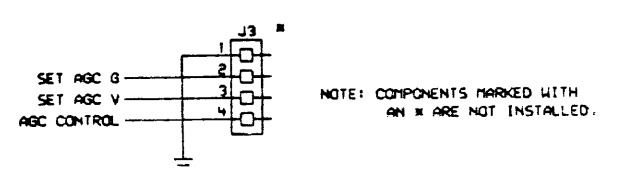
THIS DRAWING AND SPECIFICATIONS ARE THE PROPERTY OF DIGITAL EQUIPMENT CORPORATION AND SHALL NOT BE REPRODUCED OR COPIED IN WHOLE OR IN PART OR USED IN THE MANUFACTURE OF ANY ITEM WITHOUT THE WRITTEN PERMISSION OF DIGITAL EQUIPMENT CORPORATION.

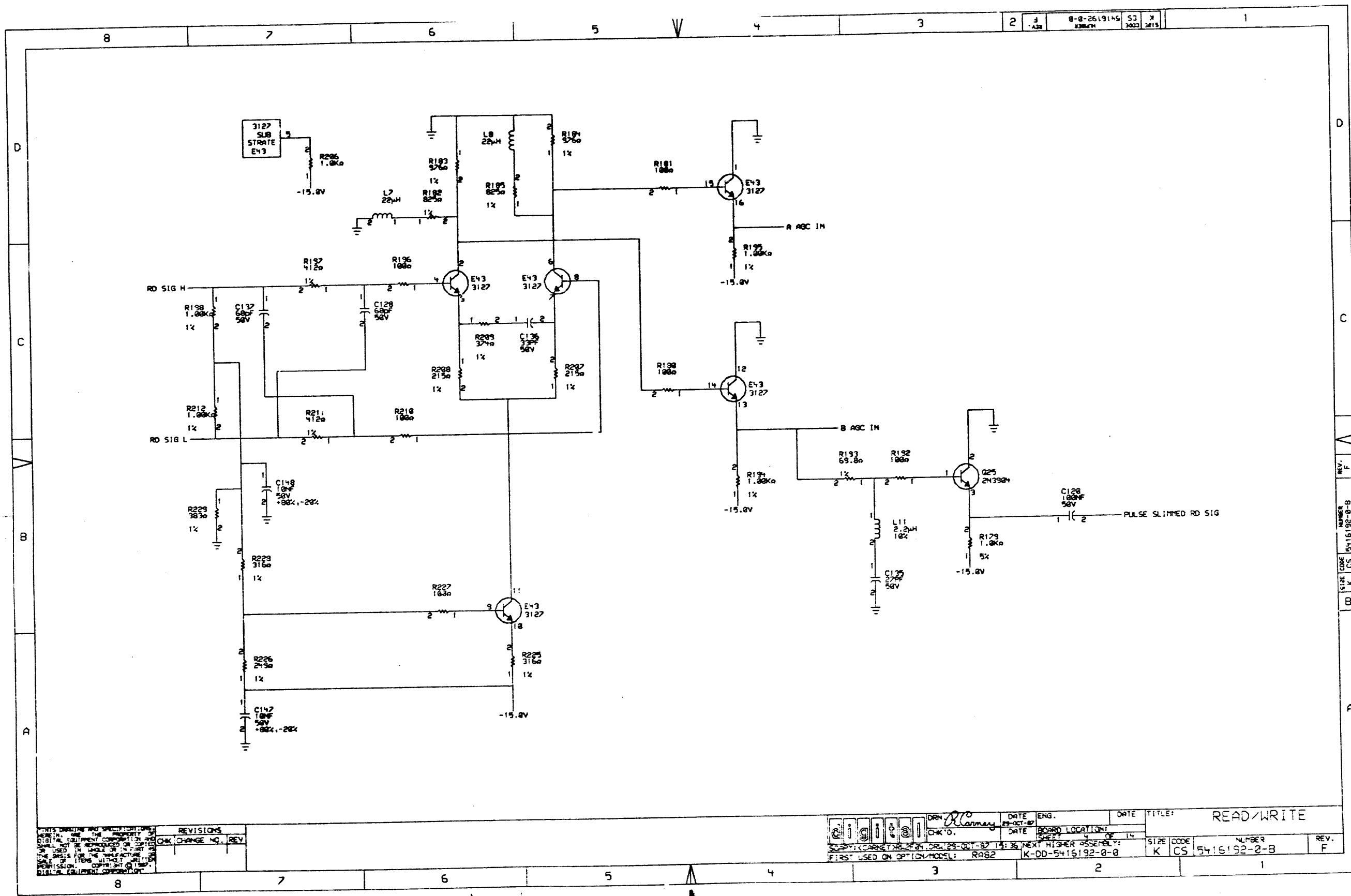
REVISONS
 CHK CHANGE NO. REV

DATE ENG. DATE BOARD LOCATION: SHEET 3 OF 14
 DATE 10-10-73 NEXT HIGHER ASSEMBLY: K-DD-5416192-0-B
 FIRST USED ON OPTION MODEL: RA62

TITLE: READ/WRITE
 SIZE CODE NUMBER REV.
 K CS 5416192-0-B F

REV. 7
 NUMBER 5416192-0-B
 CODE CS
 SIZE K

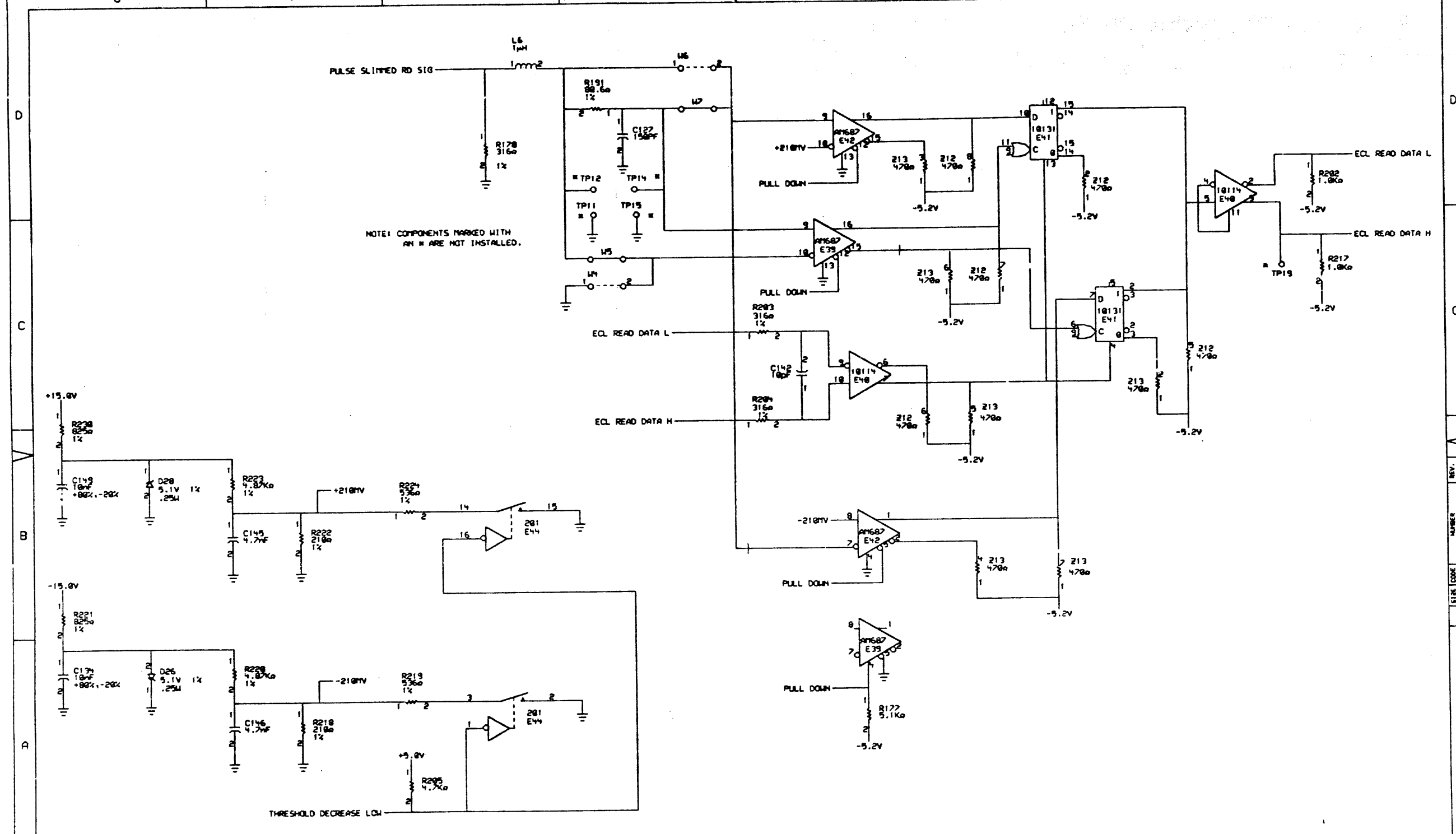




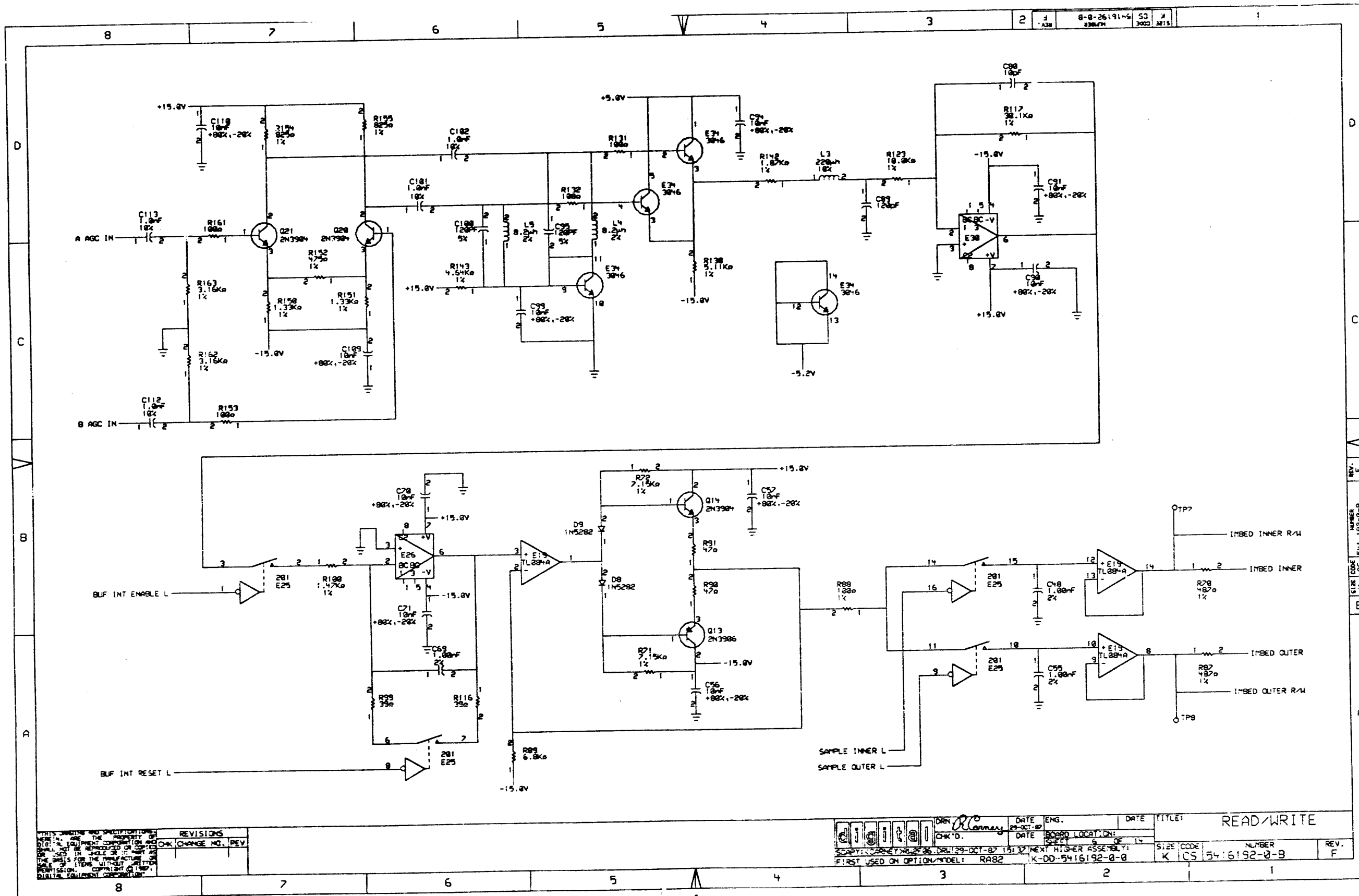
THIS DRAWING AND SPECIFICATIONS ARE THE PROPERTY OF DIGITAL EQUIPMENT CORPORATION AND SHALL NOT BE REPRODUCED OR COPIED IN ANY MANNER OR FOR ANY PURPOSE WITHOUT THE WRITTEN PERMISSION OF DIGITAL EQUIPMENT CORPORATION.

REVISIONS		
CHK	CHANGE NO.	REV.

	DRN <i>R. Carney</i>	DATE ENG. 29-OCT-67	DATE	TITLE: READ/WRITE
	CHK'D.	DATE BOARD LOCATION: SHEET 14		
FIRST USED ON OPTION MODEL: RAS2		NEXT HIGHER ASSEMBLY: K-DD-5416192-8-B	SIZE CODE: K CS	NUMBER: 5416192-8-B
				REV. F



THIS DRAWING AND SPECIFICATIONS ARE THE PROPERTY OF... NO PART OF THIS DRAWING OR SPECIFICATIONS IS TO BE REPRODUCED OR USED IN ANY MANNER WITHOUT THE WRITTEN PERMISSION OF... ALL RIGHTS RESERVED.		REVISIONS OK CHANGE NO. REV.	DATE ENG. 10-27-82 DATE 10-27-82 DATE 10-27-82 DATE 10-27-82	TITLE: READ/WRITE
FIRST USED ON OPTION MODEL: RA82		SIZE CODE K CS	NUMBER 5416192-0-B	REV. F



THIS DRAWING AND SPECIFICATIONS HEREIN ARE THE PROPERTY OF DIGITAL EQUIPMENT CORPORATION AND SHALL NOT BE REPRODUCED OR COPIED IN ANY MANNER WITHOUT THE WRITTEN PERMISSION OF DIGITAL EQUIPMENT CORPORATION.

REV.	DATE	DESCRIPTION
1		

REV.	DATE	DESCRIPTION
1		

REV.	DATE	DESCRIPTION
1		

REV.	DATE	DESCRIPTION
1		

REV.	DATE	DESCRIPTION
1		

REV.	DATE	DESCRIPTION
1		

REV.	DATE	DESCRIPTION
1		

REV.	DATE	DESCRIPTION
1		

REV.	DATE	DESCRIPTION
1		

REV.	DATE	DESCRIPTION
1		

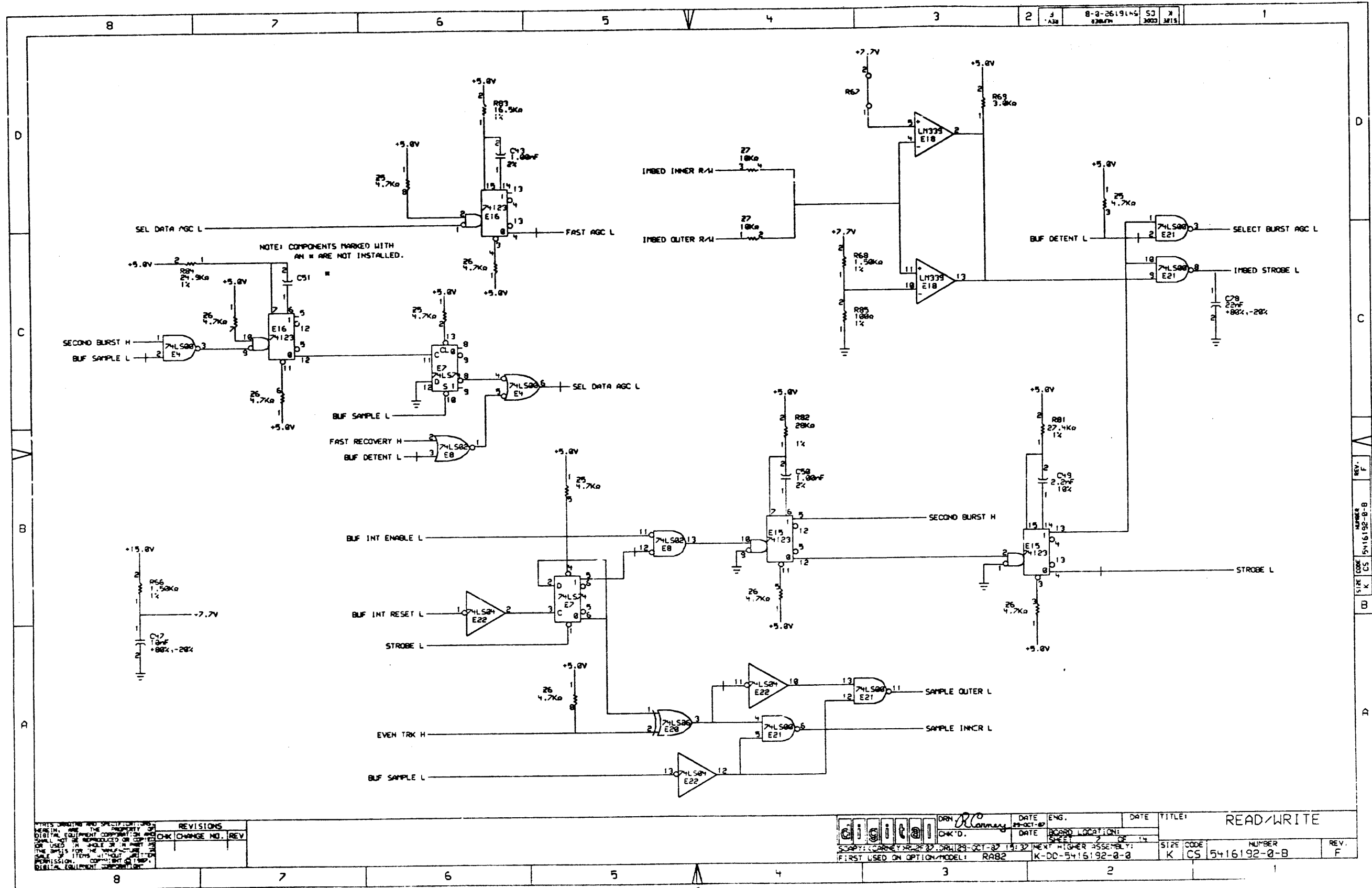
REV.	DATE	DESCRIPTION
1		

REV.	DATE	DESCRIPTION
1		

REV.	DATE	DESCRIPTION
1		

REV.	DATE	DESCRIPTION
1		

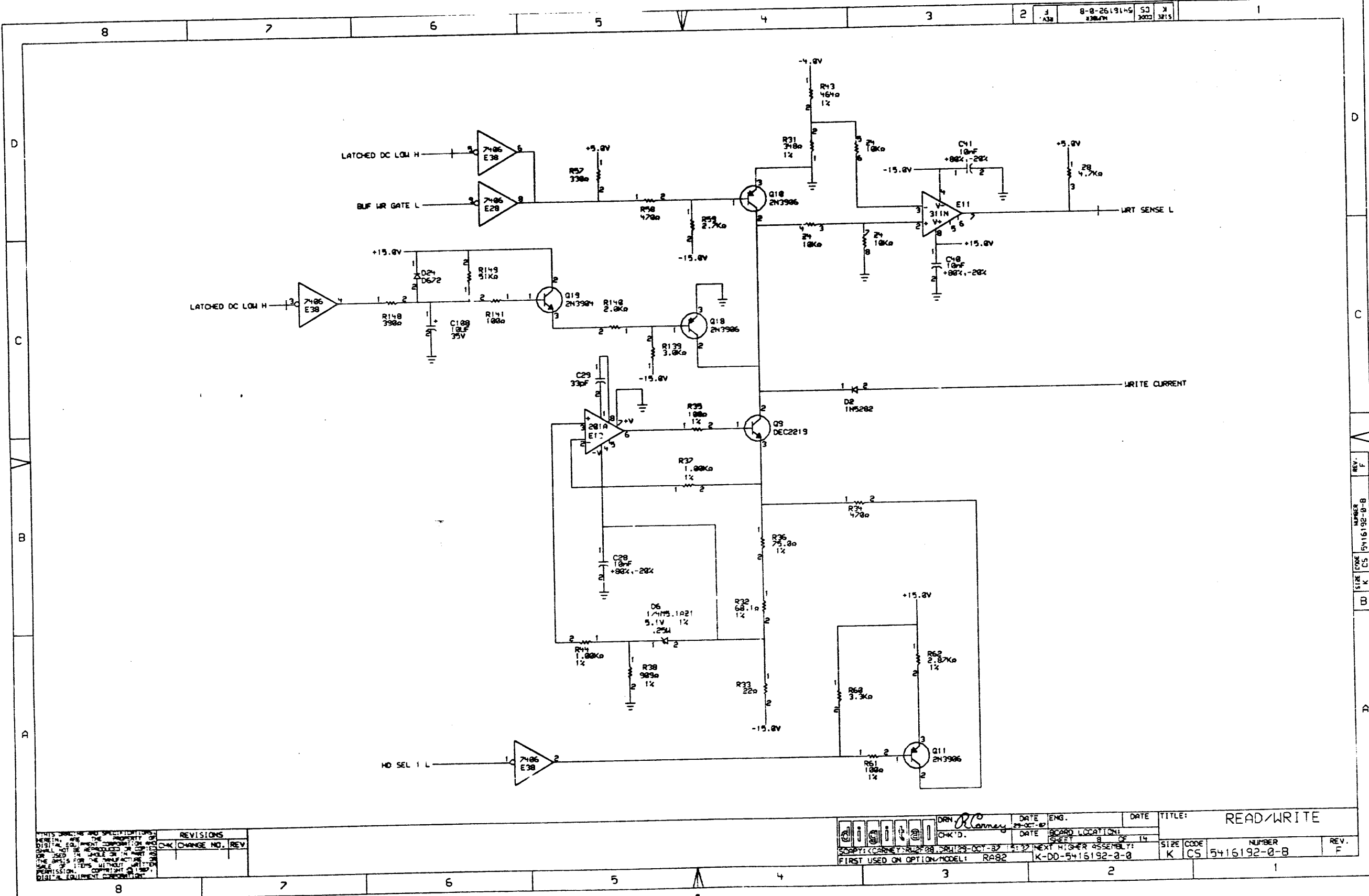
DRN: R10
 DATE: 29-OCT-67
 ENG. LOCATION: 6 OF 14
 TITLE: READ/WRITE
 BOARD LOCATION: 6 OF 14
 SIZE CODE: K CS 5416192-0-0
 NUMBER: 5416192-0-0
 REV.: F
 FIRST USED ON OPTION MODEL: RAB2
 NEXT HIGHER ASSEMBLY: K-00-5416192-0-0



THIS DRAWING AND SPECIFICATIONS HEREIN ARE THE PROPERTY OF DIGITAL EQUIPMENT CORPORATION AND SHALL NOT BE REPRODUCED OR TRANSMITTED IN ANY FORM OR BY ANY MEANS, ELECTRONIC OR MECHANICAL, INCLUDING PHOTOCOPYING, RECORDING, OR BY ANY INFORMATION STORAGE AND RETRIEVAL SYSTEM, WITHOUT THE EXPRESS WRITTEN PERMISSION OF DIGITAL EQUIPMENT CORPORATION.

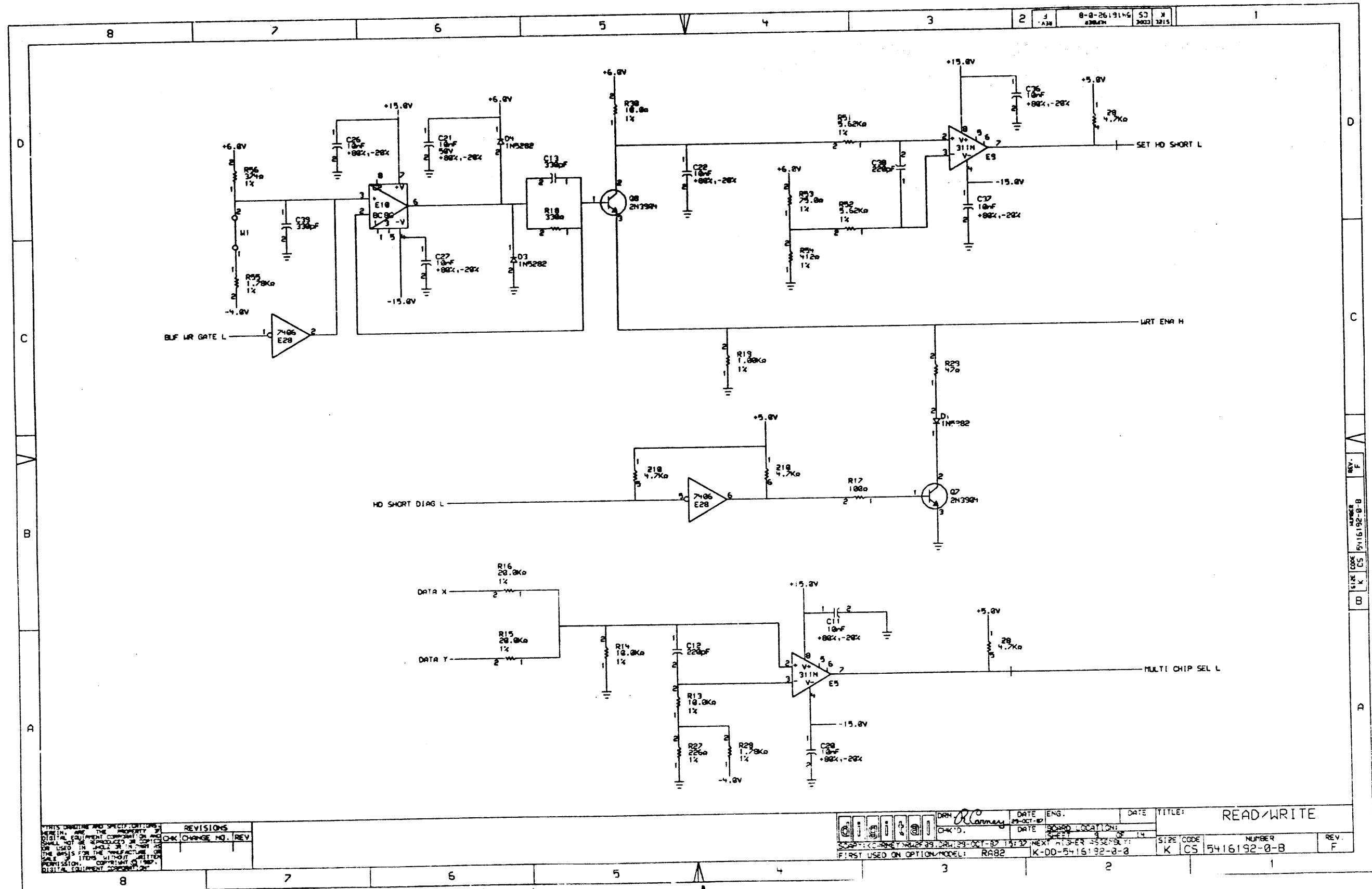
REV.	CHANGE NO.	REV.

DRN: <i>R. Carney</i>	DATE: 22-OCT-87	ENG.	DATE	TITLE: READ/WRITE
CHK'D:	DATE	BOARD LOCATION:	SHEET 7 OF 14	SIZE CODE: K CS
FIRST USED ON OPTION/MODEL: RAB2		NEXT HIGHER ASSEMBLY: K-DC-5416192-0-0		NUMBER: 5416192-0-B
				REV. F



REVISIONS
 CHK CHANGE NO. REV

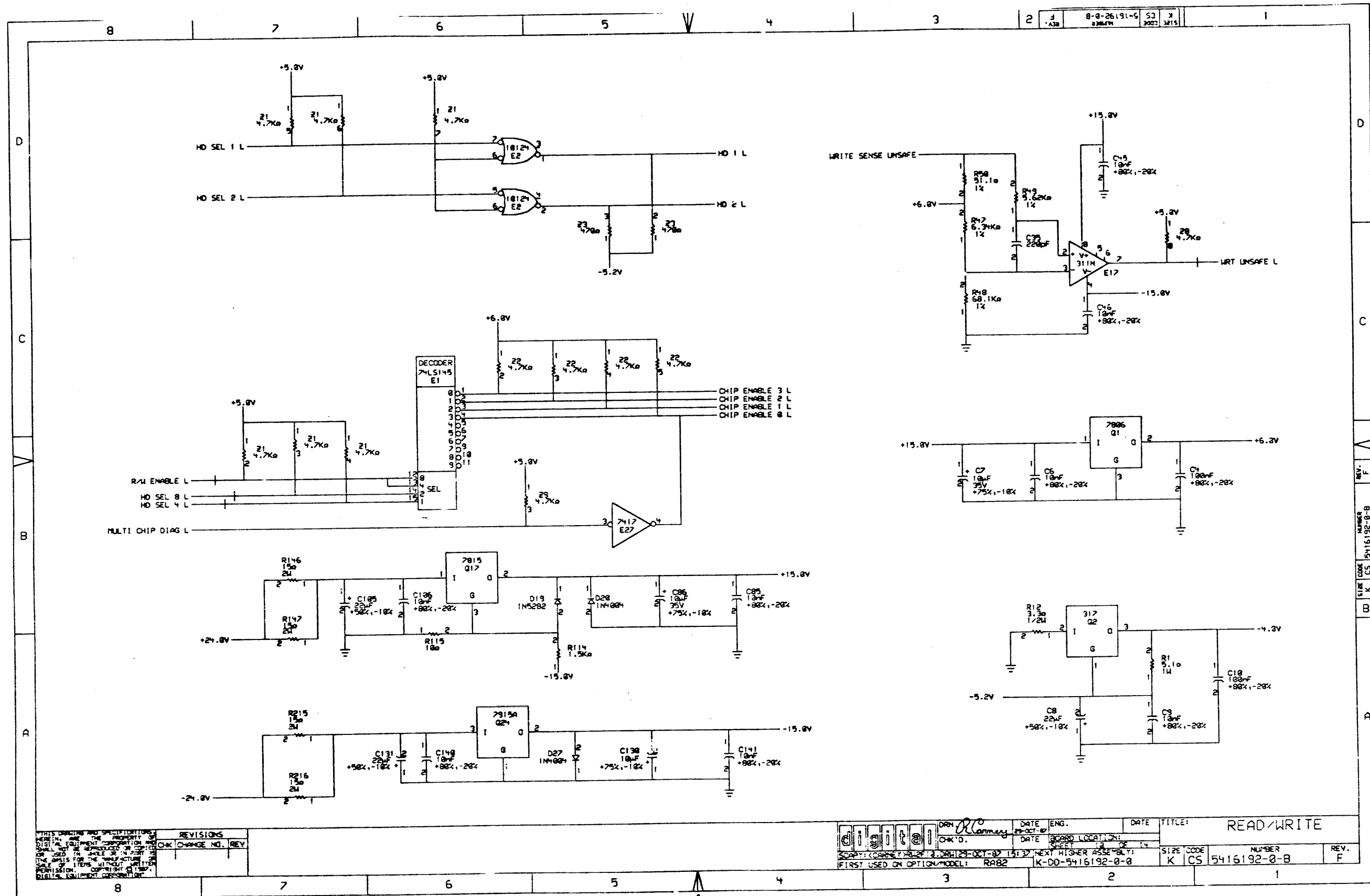
DATE ENG. 27-OCT-67	DATE BOARD LOCATION SHEET 8 OF 14	TITLE: READ/WRITE
DRN R. Ormeroy	CHK'D.	SIZE CODE K CS 5416192-0-B
DATE NEXT HIGHER ASSEMBLY OCT-30-67	DATE OCT-30-67	NUMBER 5416192-0-B
FIRST USED ON OPTION/MODEL RA82	K-DD-5416192-0-B	REV. F



THIS DRAWING AND SPECIFICATIONS ARE THE PROPERTY OF THE MANUFACTURER AND ARE NOT TO BE REPRODUCED OR USED IN ANY MANNER WITHOUT THE WRITTEN PERMISSION OF THE MANUFACTURER.

REVISIONS		
CHK	CHANGE NO.	REV.

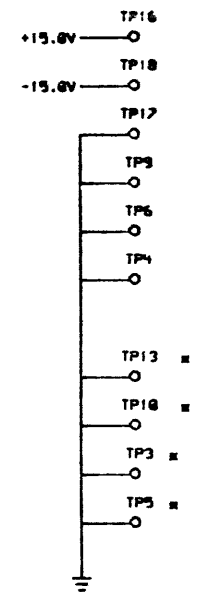
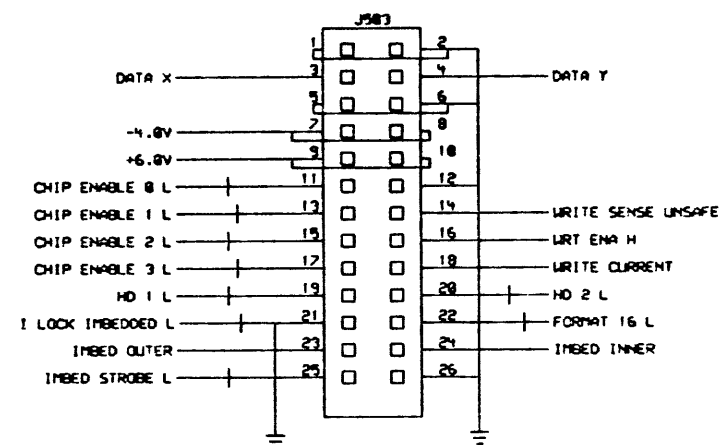
DRN <i>R. Carney</i>	DATE 29-OCT-87	ENG.	DATE	TITLE: READ/WRITE
CHK'D.	DATE	DESIGN LOCATION:	SHEET 3 OF 14	SIZE CODE K CS
FIRST USED ON OPTION MODEL: RAB2		DATE 29-OCT-87	NEXT ASSEMBLY: K-DD-5416192-0-B	NUMBER 5416192-0-B
REV. F				REV. F



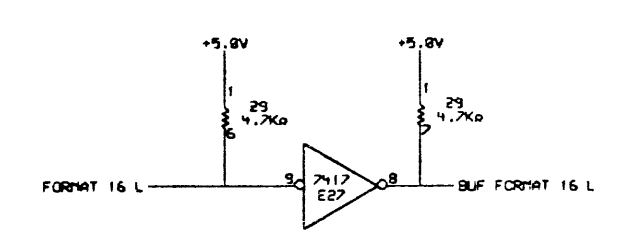
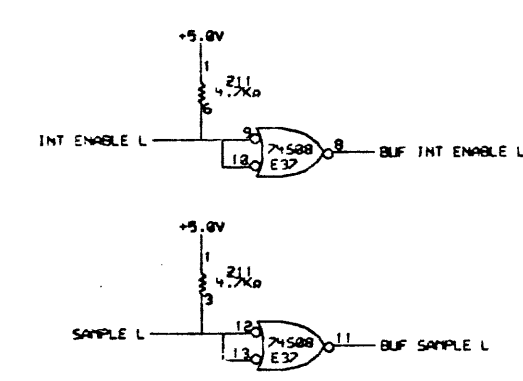
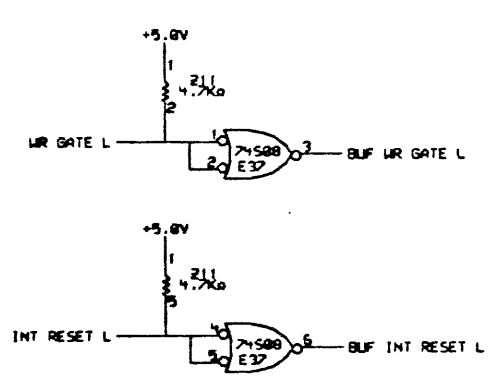
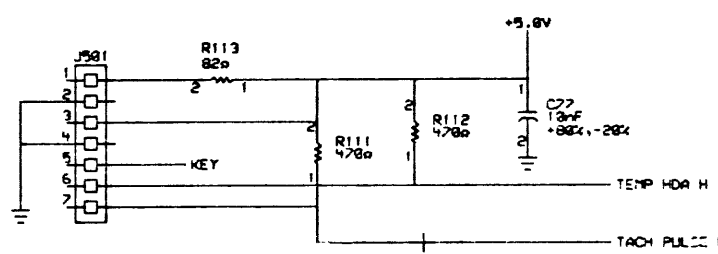
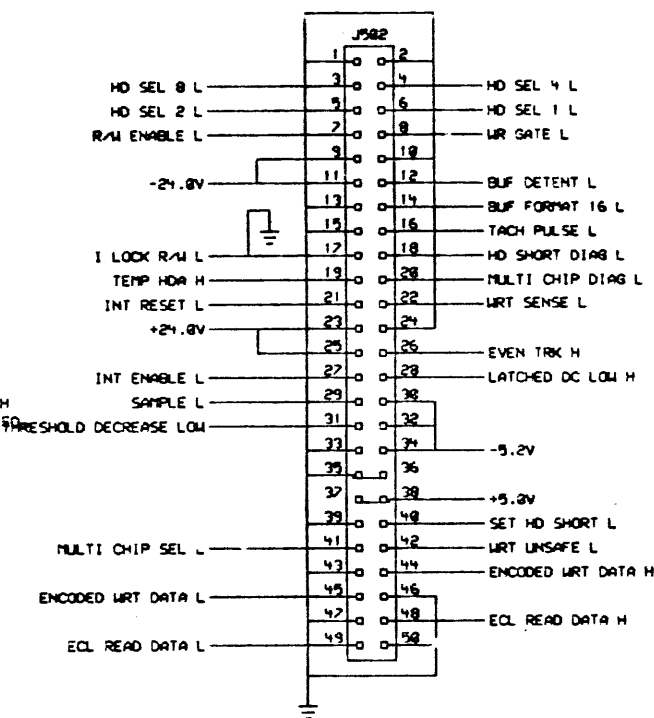
THIS DRAWING AND SPECIFICATIONS ARE THE PROPERTY OF DIGITAL EQUIPMENT CORPORATION AND ARE NOT TO BE REPRODUCED OR TRANSMITTED IN ANY FORM OR BY ANY MEANS, ELECTRONIC OR MECHANICAL, INCLUDING PHOTOCOPYING, RECORDING, OR BY ANY INFORMATION STORAGE AND RETRIEVAL SYSTEM, WITHOUT THE WRITTEN PERMISSION OF DIGITAL EQUIPMENT CORPORATION.

REVISIONS	
CHK	CHANGE NO. REV.

DRN. <i>R. Carney</i>	DATE ENG. 29-OCT-87	DATE	TITLE: READ/WRITE
CHK'D.	DATE BOARD LOCATION: 14	SHEET	
SOURCE: (CARRY OVER) 3-DRAWING 29-OCT-87 15137 NEXT HIGHER ASSEMBLY:		SIZE CODE	NUMBER
FIRST USED ON OPTION MODEL: RAB2 K-D0-5416192-0-8		K CS	5416192-0-8
		REV.	F



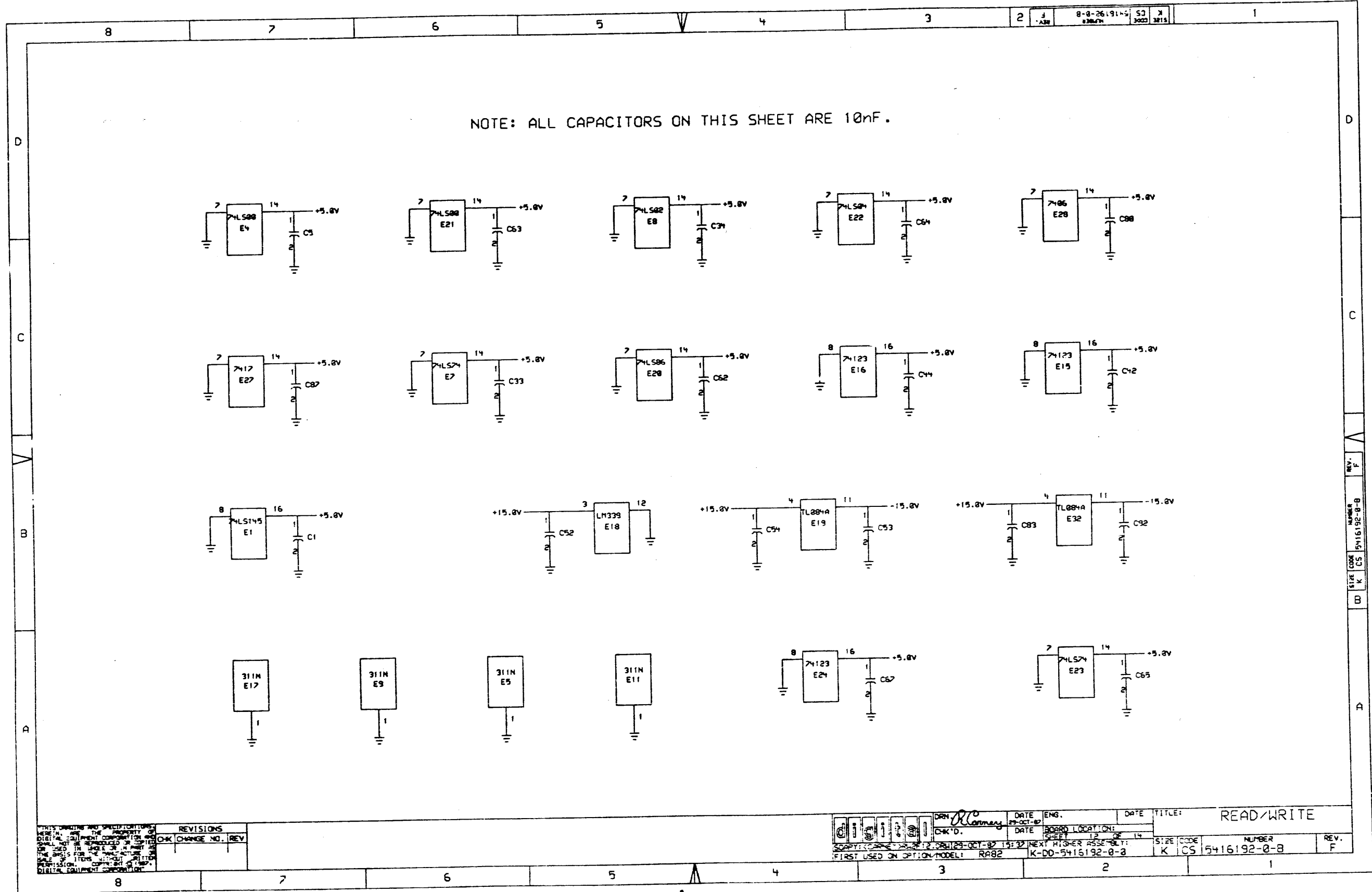
NOTE: COMPONENTS MARKED WITH AN "H" ARE NOT INSTALLED



THIS DRAWING AND SPECIFICATIONS ARE THE PROPERTY OF DIGITAL EQUIPMENT CORPORATION AND SHALL NOT BE REPRODUCED OR COPIED OR USED IN WHOLE OR IN PART ON THE BASIS FOR THE MANUFACTURE OR SALE OF ITEMS WITHOUT WRITTEN PERMISSION. COPYRIGHT © 1982, DIGITAL EQUIPMENT CORPORATION.

REVISIONS		
CHK	CHANGE NO.	REV

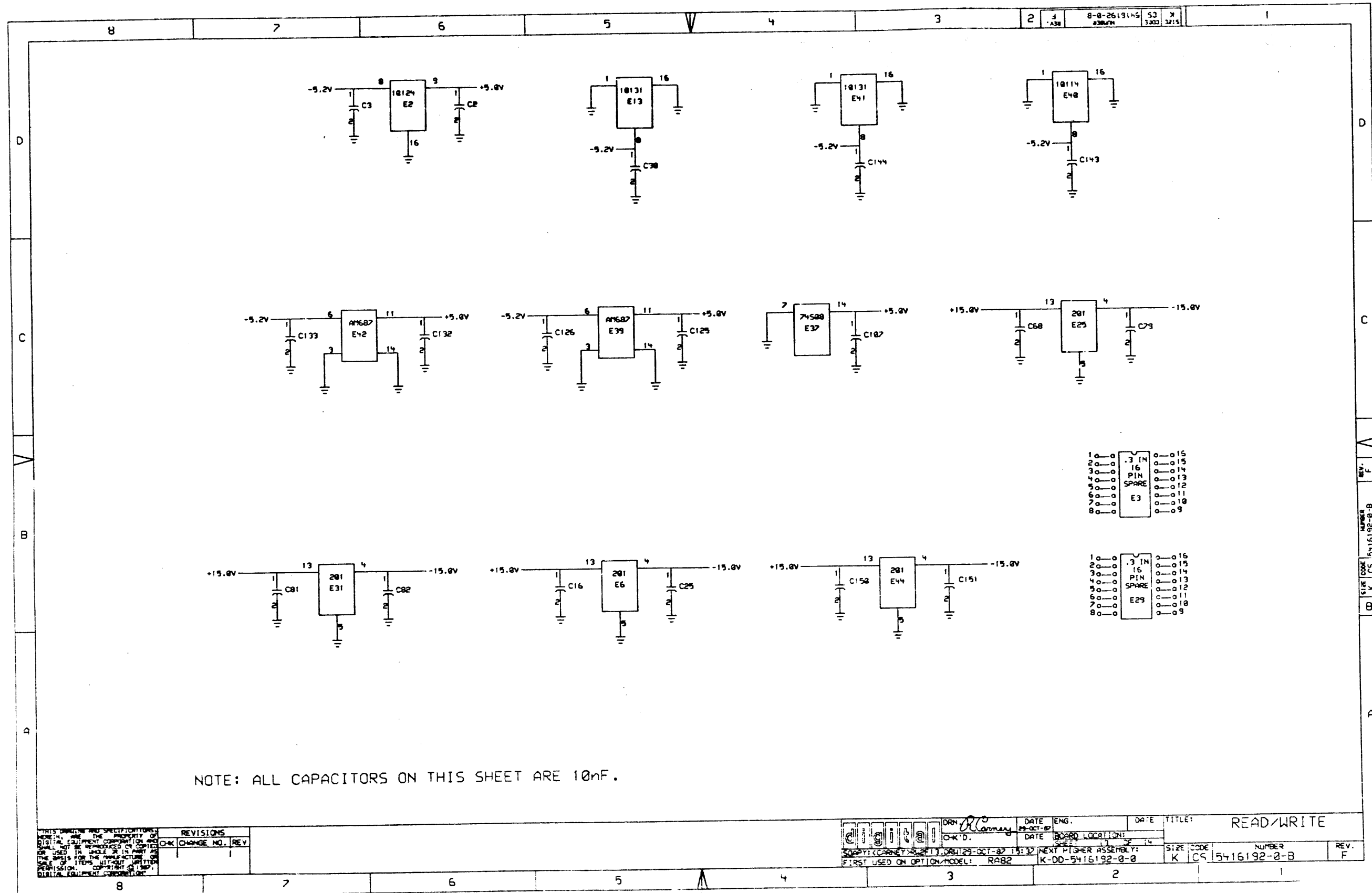
	DATE: 29-OCT-82	ENG.:	DATE:	TITLE: READ/WRITE
	CHK'D.:	DATE:	BOARD LOCATION:	
COPY: KOSBY: 11, 29-OCT-82, 15:32		NEXT HIGHER ASSEMBLY:		SIZE: K CS
FIRST USED ON OPTION MODEL: RAB2		K-DD-5416192-0-B		NUMBER: 5416192-0-B
				REV. F



THIS DRAWING AND SPECIFICATIONS HEREIN ARE THE PROPERTY OF DIGITAL EQUIPMENT CORPORATION AND SHALL NOT BE REPRODUCED OR TRANSMITTED IN ANY FORM OR BY ANY MEANS, ELECTRONIC OR MECHANICAL, INCLUDING PHOTOCOPYING, RECORDING, OR BY ANY INFORMATION STORAGE AND RETRIEVAL SYSTEM, WITHOUT PERMISSION IN WRITING FROM DIGITAL EQUIPMENT CORPORATION.

REVISIONS		
CHK	CHANGE NO.	REV

DRN <i>R. Ramsey</i>	DATE 29-OCT-87	ENG.	DATE	TITLE: READ/WRITE
CHK'D.	DATE	BOARD LOCATION:	SHEET 12 OF 14	SIZE CODE NUMBER REV.
COPY: 12 28123-OCT-87 15:37		NEXT HIGHER ASSEMBLY: K-DD-5416192-0-8	SIZE CODE K CS	NUMBER 15416192-0-8
FIRST USED ON OPTION MODEL: RAB2				REV. F



NOTE: ALL CAPACITORS ON THIS SHEET ARE 10nF.

PRINTS DRAWING AND SPECIFICATIONS
HEREIN ARE THE PROPERTY OF
DIGITAL EQUIPMENT CORPORATION AND
SHALL NOT BE REPRODUCED OR COPIED
OR USED IN WHOLE OR IN PART AS
THE BASIS FOR THE MANUFACTURE OR
SALE OF ITEMS WITHOUT WRITTEN
PERMISSION. COPYRIGHT © 1967,
DIGITAL EQUIPMENT CORPORATION.

REVISIONS	
CHK	CHANGE NO. REV

DRN <i>R. Carney</i>	DATE ENG. 28-OCT-67	DATE 28-OCT-67	TITLE: READ/WRITE
CHK'D.	DATE BOARD LOCATION: 14	SHEET 14	
COPY: CARNEY 28-OCT-67 15:17	NEXT P.T. ASSEMBLY: K-DD-5416192-0-B	SIZE CODE K CS	NUMBER 5416192-0-B
FIRST USED ON OPTION MODEL: RAB2			REV. F

1 0 0	.3 IN	0 0 15
2 0 0	16	0 0 15
3 0 0	PIN	0 0 14
4 0 0	SPARE	0 0 13
5 0 0		0 0 12
6 0 0	E3	0 0 11
7 0 0		0 0 10
8 0 0		0 0 9

Vertical location (A-D) Direction of line (Left, Right, Up, Down) or electrical (Input, Output, Both) or backplane pin (Pin)
 KEY: SS-VH,D
 Schematic Sheet Horizontal location (1-8)

+15.0V	1-D2,D 1-D4,D 1-D7,D 2-B6,D 2-D3,D 2-D5,D
	2-D6,D 3-C4,D 3-C7,R 5-C8,D 6-B4,L 6-B6,L 6-C3,D 6-C6,R
	6-D8,R 7-B8,D 8-B3,D 8-C3,L 8-C6,R 9-D4,D 9-D3,D 9-D6,D
	10-B3,R 10-B4,L 10-D2,D 11-D5,R 12-B4,R 12-B6,R 13-B4,R
	13-B6,R 13-B7,R 13-C3,R
+210mV	5-B7,L 5-D4,R
+24.0V	10-A7,R 11-C3,R
+5.0V	1-A2,D 1-A2,D 1-A7,D 1-B2,D 3-D6,D 5-A6,D
	6-D5,R 7-A2,D 7-A4,D 7-A5,D 7-B5,D 7-C2,D 7-C4,D 7-C6,D
	7-C6,D 7-C7,D 7-C7,D 7-C8,R 7-D2,D 7-D3,D 7-D6,D 7-D6,D
	8-D2,D 8-D5,D 9-B3,D 9-C4,D 9-D2,D 10-B6,D 10-C7,D 10-D2,D
	10-D6,D 10-D7,D 11-A5,D 11-A7,D 11-B2,D 11-B3,D 11-B5,D 11-B6,D
	11-B7,D 11-C2,L 12-A2,L 12-A3,L 12-B7,L 12-C2,L 12-C3,L 12-C4,L
	12-C6,L 12-C7,L 12-D2,L 12-D3,L 12-D4,L 12-D6,L 12-D7,L 13-C3,L
	13-C4,L 13-C6,L 13-D6,L
+6.0V	9-D4,D 9-D5,D 9-D6,D 9-D7,D 10-B1,L 10-C6,D
	10-D3,R 11-D7,R
+7.7V	7-B8,L 7-C4,D 7-D3,D
-15.2V	1-A4,D 1-A5,D 1-B3,U 1-B5,D 1-C2,D 1-C2,U
	1-C7,D 1-C7,D 2-B2,D 2-B2,D 2-B4,L 2-B6,L 2-B6,U 2-C8,D
	3-B1,L 3-B6,U 3-B7,D 3-B7,R 3-B8,D 3-C1,D 3-C3,D 3-D4,D
	3-D8,D 4-A6,D 4-B3,D 4-B4,D 4-C4,D 4-D7,D 5-B8,D 6-A4,L
	6-A6,D 6-B6,L 6-C4,D 6-C7,D 6-U3,D 8-A4,D 8-C4,D 8-C5,D
	8-D3,R 9-A4,L 9-C6,D 9-D3,L 10-A4,L 10-A5,D 10-C2,L 11-D5,R
	12-B2,L 12-B3,L 13-B3,L 13-B4,L 13-B6,L 13-C2,L
-210mV	5-A7,L 5-B4,R
-24.0V	10-A7,R 11-D3,R
-4.0V	8-D4,D 9-A4,D 9-C7,D 10-A1,L 11-D7,R
5.2V	1-A6,D 1-A6,D 1-A7,D 5-A4,D 5-B2,D 5-B3,D
	5-C3,D 5-C3,D 5-D1,D 5-D3,D 5-D3,D 6-C4,D 10-A3,R
	10-C5,D 11-C2,L 13-C6,R 13-C7,R 13-D2,R 13-D4,R 13-D5,R 13-D7,R
A AGC IN	3-D8,R 4-D4,L 6-D8,R
AGC CONTROL	2-A7,R 3-A3,R 3-D1,L
AGC IN,B	3-C8,R 4-B4,L 6-C8,R
BUF DETENT L	7-B6,R 7-C2,R 11-D2,L
BUF FORMAT 16 L	11-A2,L 11-D2,L
BUF INT ENABLE L	6-B8,R 7-B6,R 11-A4,L
BUF INT RESET L	6-A8,R 7-B6,R 11-A6,L
BUF SAMPLE L	7-A6,R 7-C6,R 7-C8,R 11-A4,L
BUF WR GATE L	1-A8,R 1-D8,R 8-D6,R 9-C7,R 11-A6,L
CHIP ENABLE 0 L	10-C4,L 11-C7,R
CHIP ENABLE 1 L	10-C4,L 11-C7,R
CHIP ENABLE 2 L	10-C4,L 11-C7,R
CHIP ENABLE 3 L	10-C4,L 11-C7,R
DATA X	1-B4,L 1-D8,R 9-B6,R 11-D7,R
DATA Y	1-B4,L 1-C8,R 9-A6,R 11-D6,L
ECL READ DATA H	5-C1,L 5-C5,R 11-B2,L
ECL READ DATA L	5-C5,R 5-D1,L 11-B3,R
ENCODED WRT DATA H	1-B7,R 11-C2,L
ENCODED WRT DATA L	1-A7,R 11-C3,R
EVEN TRK H	7-A6,R 11-C2,L
FAST AGC L	3-B8,R 7-C5,L
FAST RECOVERY H	1-A1,L 7-B6,R
FAST RECOVERY L	1-A1,L 1-D5,R
FORMAT 16 L	11-A3,R 11-C6,L

HD 1 L	10-D4,L 11-C7,R
HD 2 L	10-D4,L 11-C6,L
HD SEL 1 L	8-A6,R 10-D7,R 11-D2,L
HD SEL 2 L	10-D7,R 11-D3,R
HD SEL 4 L	10-B8,R 11-D2,L
HD SEL 8 L	10-B8,R 11-D3,R
HD SHORT DIAG L	9-B6,R 11-C2,L
I LOCK IMBEDDED L	11-C7,R
I LOCK R/W L	11-C3,R
IMBED INNER	6-B1,L 11-C6,L
IMBED INNER R/W	3-B6,R 6-B1,L 7-D4,R
IMBED OUTER	6-A1,L 11-C7,R
IMBED OUTER R/W	3-A6,R 6-A1,L 7-C4,R
IMBED STROBE L	7-C1,L 11-C7,R
INT ENABLE L	11-B5,R 11-C3,R
INT RESET L	11-A7,R 11-C3,R
KEY	11-B7,L
LATCHED DC LOW H	8-C7,R 8-D6,R 11-C2,L
MULTI CHIP DIAG L	10-B8,R 11-C2,L
MULTI CHIP SEL L	9-A2,L 11-C3,R
PULL DOWN	5-A4,R 5-B4,R 5-C4,R 5-D4,R
PULSE SLIMMED RD SIG	4-B2,L 5-D6,R
R/W ENABLE L	1-A3,R 10-B8,R 11-D3,R
RAW RD SIG H	1-C1,L 2-C7,R
RAW RD SIG L	1-C1,L 2-B7,R
RD SIG H	2-C2,L 4-C8,R
RD SIG L	2-B2,L 4-B8,R
SAMPLE INNER L	6-A3,R 7-A3,L
SAMPLE L	11-A5,R 11-C3,R
SAMPLE OUTER L	6-A3,R 7-A3,L
SECOND BURST H	7-B3,L 7-C8,R
SEL DATA AGC L	3-B8,R 7-C5,L 7-D7,R
SELECT BURST AGC L	3-A6,R 7-C1,L
SET AGC G	3-A3,R 3-D2,R
SET AGC V	3-A3,R 3-D2,R
SET HD SHORT L	9-D2,L 11-C2,L
STROBE L	7-A6,R 7-B1,L
TACH PULSE L	11-B5,L 11-D2,L
TEMP HOA H	11-B5,L 11-C3,R
THRESHOLD DECREASE LOW	5-A7,R 11-C3,R
WR GATE H	1-A3,R 1-A6,L
WR GATE L	11-B7,R 11-D2,L
WRITE CURRENT	8-C2,L 11-C6,L
WRITE SENSE UNSAFE	10-D3,R 11-C6,L
WRT ENA H	9-C2,L 11-C6,L
WRT SENSE L	8-D2,L 11-C2,L
WRT UNSAFE L	10-C1,L 11-C2,L

THIS DRAWING AND SPECIFICATIONS ARE THE PROPERTY OF DIGITAL EQUIPMENT CORPORATION. IT IS TO BE USED ONLY FOR THE MANUFACTURE OF DIGITAL EQUIPMENT. PERMISSION TO REPRODUCE THIS DRAWING FOR OTHER THAN DIGITAL EQUIPMENT MANUFACTURE IS NOT TO BE GRANTED WITHOUT WRITTEN PERMISSION OF DIGITAL EQUIPMENT CORPORATION.

REV.	CHG.	NO.	REV.

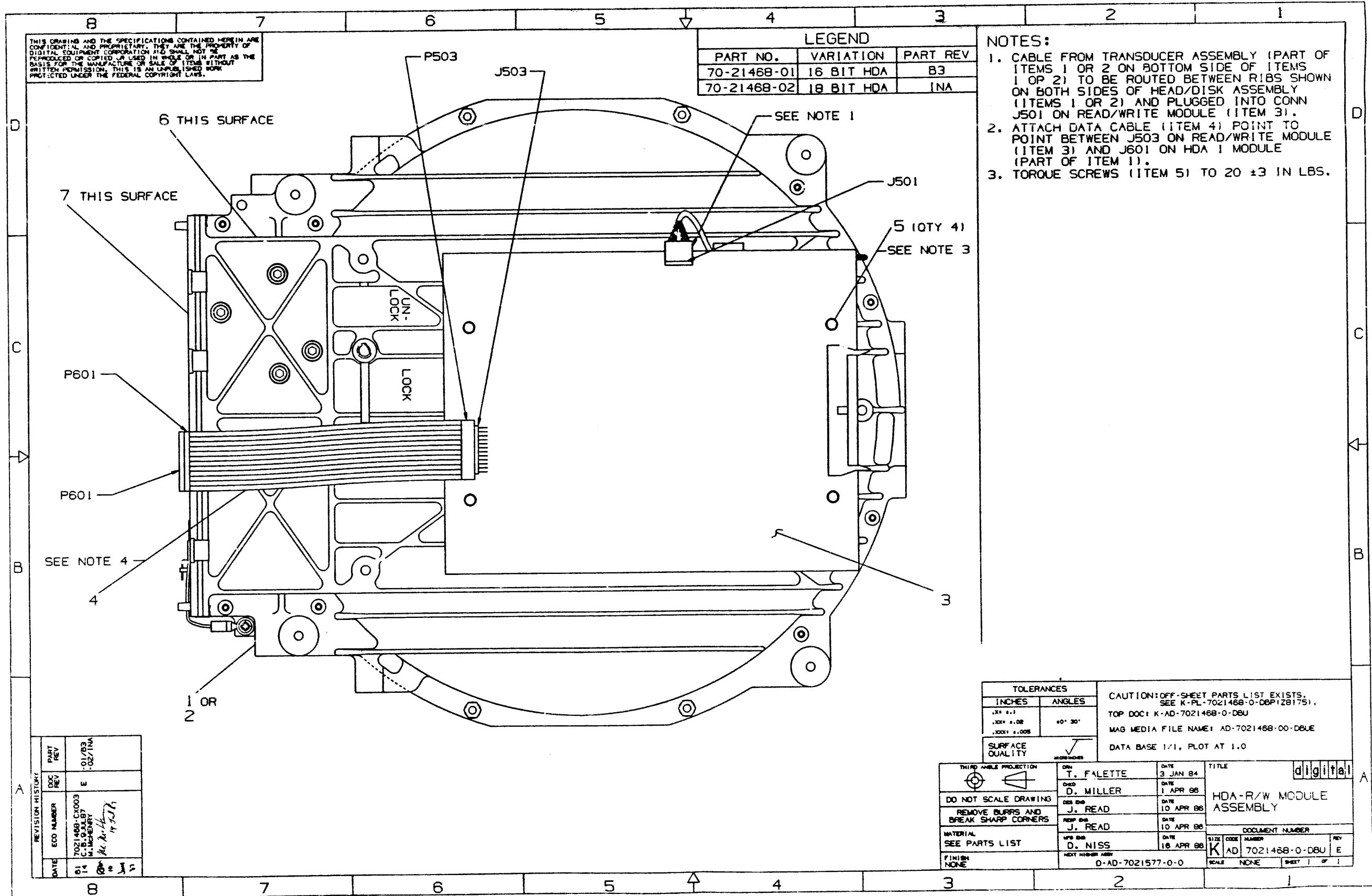
DATE: 09-OCT-67	ENG. ORN	DATE: 09-OCT-67	ENG. ORN	TITLE: READ/WRITE
DATE: 09-OCT-67	CHK'D. ORN	DATE: 09-OCT-67	CHK'D. ORN	BOARD LOCATION: 0205
DATE: 09-OCT-67	DATE: 09-OCT-67	DATE: 09-OCT-67	DATE: 09-OCT-67	SIZE CODE: K CS
DATE: 09-OCT-67	DATE: 09-OCT-67	DATE: 09-OCT-67	DATE: 09-OCT-67	NUMBER: 5416192-0-B
DATE: 09-OCT-67	DATE: 09-OCT-67	DATE: 09-OCT-67	DATE: 09-OCT-67	REV. F

THIS DRAWING AND THE SPECIFICATIONS CONTAINED HEREIN ARE CONFIDENTIAL AND PROPRIETARY. THEY ARE THE PROPERTY OF DIGITAL EQUIPMENT CORPORATION AND SHALL NOT BE REPRODUCED OR COPIED IN WHOLE OR IN PART AS THE BASIS FOR THE MANUFACTURE OR SALE OF ITEMS WITHOUT WRITTEN PERMISSION. THIS IS AN UNPUBLISHED WORK PROTECTED UNDER THE FEDERAL COPYRIGHT LAWS.

LEGEND		
PART NO.	VARIATION	PART REV
70-21468-01	16 BIT HDA	B3
70-21468-02	18 BIT HDA	1NA

NOTES:

1. CABLE FROM TRANSDUCER ASSEMBLY (PART OF ITEMS 1 OR 2 ON BOTTOM SIDE OF ITEMS 1 OR 2) TO BE ROUTED BETWEEN RIBS SHOWN ON BOTH SIDES OF HEAD/DISK ASSEMBLY (ITEMS 1 OR 2) AND PLUGGED INTO CONN J501 ON READ/WRITE MODULE (ITEM 3).
2. ATTACH DATA CABLE (ITEM 4) POINT TO POINT BETWEEN J503 ON READ/WRITE MODULE (ITEM 3) AND J601 ON HDA 1 MODULE (PART OF ITEM 1).
3. TORQUE SCREWS (ITEM 5) TO 20 ±3 IN LBS.



REVISION HISTORY		PART REV
DOC REV	E	-01/83 -02/1NA
ECO NUMBER	7021468-CX003 C.B. GALEBY M. BREWSTER 14 536	
DATE	01 14	

TOLERANCES	
INCHES	ANGLES
.XX ±.1	
.XXX ±.005	±0° 30'
.XXX ±.005	

CAUTION: OFF-SHEET PARTS LIST EXISTS.
SEE K-PL-7021468-0-DBP1281751.
TOP DOC: K-AD-7021468-0-DBU
MAG MEDIA FILE NAME: AD-7021468-00-DBUE
DATA BASE 1/1, PLOT AT 1.0

THIRD ANGLE PROJECTION	DRN T. FALETTE	DATE 3 JAN 84	TITLE	digital
DO NOT SCALE DRAWING	DES D. MILLER	DATE 1 APR 86	HDA-R/W MODULE ASSEMBLY	
REMOVE BURRS AND BREAK SHARP CORNERS	DES D. J. READ	DATE 10 APR 86	DOCUMENT NUMBER	
MATERIAL SEE PARTS LIST	REP D. J. READ	DATE 10 APR 86	SIZE	NUMBER
FINISH NONE	DES D. NISS	DATE 18 APR 88	K AD	7021468-0-DBU E
	NEXT HIGHER ASSY	D-AD-7021577-0-0	SCALE	NONE
			SHEET	1 OF 1

AUTOMATED BY VAXKPL (V1.3)

PARTS LIST

QUANTITY PER VARIATION/REVISION SHEET 21 OF 21

LINE ITEM	TOP DOCUMENT	PART NUMBER	HIN REV	DESCRIPTION	QTY
1	K-IA-7021170-0-DBU	70-21170-01	C	HEAD/DISK ASSEMBLY (16 BIT)	1
2	K-IA-7021170-0-DBU	70-21170-02		*** THIS ITEM IS NOT USED ***	-
3	B-DD-5416192-0-0	54-16192-01		R82 READ/WRITE MODULE	1
4	C-IA-7019060-0-0	70-19060-01		DATA 26 CABLE ASSEMBLY	1
5		90-09682-01		SCREW,MACH HEXMM SLOT	4
6		36-18566-01		LABEL,DATA	1
7		33-18565-01		LABEL,ATTENTION	1

Handwritten notes:
14 5008
MM
10/24/87

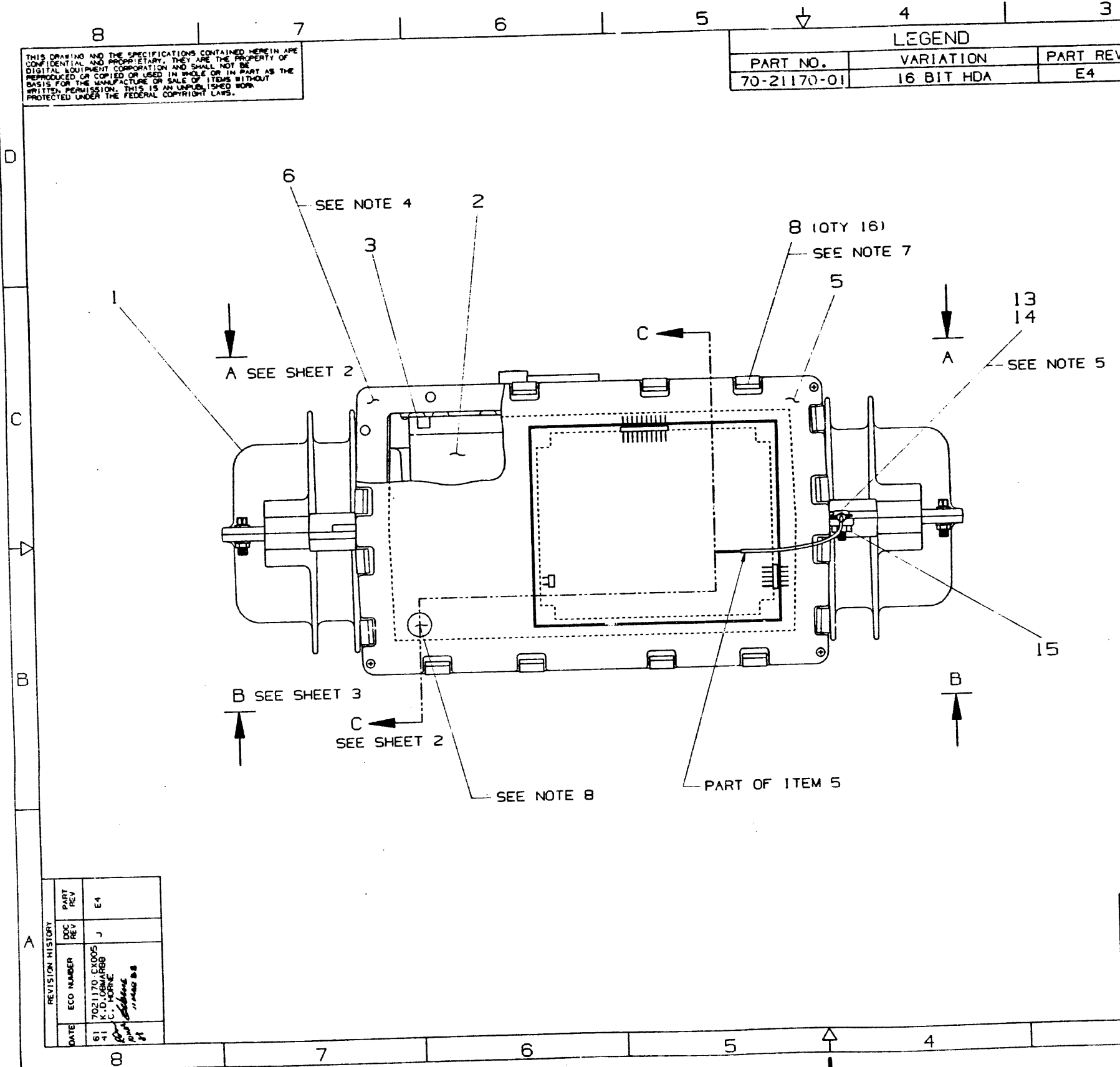
REVISION HISTORY			KPL MATRIX FORMAT SECTION A OF A		DRN: A. POWELL	DIGITAL		
ENG	ECO NUMBER	REV	SECTION/VARIATION INDEX		DATE: 09-JAN-84	TITLE PARTS LIST		
JR	PCA PET-333	A	[A]	01	CHK'D: D. MILLER	HDA-R/W MODULE ASSEMBLY		
FP	7021468-CX001	B	[B]		DATE: 01-APR-86			
MM	7021577-CX01A	C	[C]		DES.ENG.: J. READ	DOCUMENT NUMBER		
MM	7021468-CX002	D	[D]		DATE: 01-APR-86	SIZE	CODE	NUMBER
MM	7021468-CX003	E	[E]		RESP.ENG.: J. READ			REV
			[F]		DATE: 01-APR-86	K	FL	7021468-0-DBP
			[H]					E
			[J]		MFG.ENG.: D. NISS	RELEASE DATE: 10-JUL-87		
					DATE: 01-APR-86	RELEASE STATUS: RELEASED		
			BASIC PART NUMBER:		ASSEMBLY NUMBER:		TOP DOCUMENT NUMBER:	
			7021468		K-AD-7021468-0-DBU		K-AD-7021468-0-DBU	
					FILE NAME:		EDIT #	
					28175E.PLS		1	

"THIS DRAWING AND THE SPECIFICATIONS CONTAINED HEREIN ARE CONFIDENTIAL AND PROPRIETARY. THEY ARE THE PROPERTY OF DIGITAL EQUIPMENT CORPORATION AND SHALL NOT BE REPRODUCED OR COPIED OR USED IN WHOLE OR IN PART AS THE BASIS FOR THE MANUFACTURE OR SALE OF ITEMS WITHOUT WRITTEN PERMISSION. THIS IS AN UNPUBLISHED WORK PROTECTED UNDER THE FEDERAL COPYRIGHT LAWS."

THIS DRAWING AND THE SPECIFICATIONS CONTAINED HEREIN ARE CONFIDENTIAL AND PROPRIETARY. THEY ARE THE PROPERTY OF DIGITAL EQUIPMENT CORPORATION AND SHALL NOT BE REPRODUCED OR COPIED OR USED IN WHOLE OR IN PART AS THE BASIS FOR THE MANUFACTURE OR SALE OF ITEMS WITHOUT WRITTEN PERMISSION. THIS IS AN UNPUBLISHED WORK PROTECTED UNDER THE FEDERAL COPYRIGHT LAWS.

LEGEND		
PART NO.	VARIATION	PART REV
70-21170-01	16 BIT HDA	E4

- NOTES:
1. ASSEMBLE POSITIONER ASSY (ITEM 2) TO HOUSING/DISK ASSY (ITEM 1) MAKING SURE THAT THE POSITIONER IS LOCATED AGAINST THE TWO DOWEL PINS PRIOR TO TORQUING SCREWS. ASSEMBLE WASHERS (ITEM 11 & 12) AND CAP SCREWS (ITEM 9) THROUGH LOWER HOUSING (PART OF ITEM 1) AND TORQUE TO 100 ±5 IN. LBS. ASSEMBLE WASHERS (ITEM 11 & 12) AND CAP SCREWS (ITEM 9) THROUGH LOWER HOUSING (PART OF ITEM 1) AND TORQUE TO 100 ±5 IN. LBS.
 2. ASSEMBLE WASHERS (ITEM 11 & 12) AND CAP SCREWS (ITEM 9) THROUGH UPPER HOUSING (PART OF ITEM 1) AND TORQUE TO 100 ±5 IN. LBS. ASSEMBLE WASHERS (ITEM 11 & 12) AND CAP SCREWS (ITEM 9) THROUGH UPPER HOUSING (PART OF ITEM 1) AND TORQUE TO 100 ±5 IN. LBS.
 3. AFTER INSTALLATION OF POSITIONER ASSY (ITEM 2) SECURE ARMS WITH LOCK.
 4. LOCATE GASKET (ITEM 6) TO BACK OF COVER ASSY (ITEM 5) USING THE 16 BOSSES ON COVER ASSY.
 5. TORQUE PAN HD SCREW (ITEM 13) TO 8 ±5 IN. LBS.
 6. ASSEMBLE THERMOSTAT (ITEM 17) INTO LOWER HOUSING (PART OF ITEM 1). TORQUE TO 2 ±.5 IN. LBS. NOTE THAT ORIENTATION IS NOT IMPORTANT.
 7. PRONGED SIDE OF SPRING CLIP (ITEM 8) MUST BE ASSEMBLED AGAINST ALUMINUM FLANGE.
 8. PLASTIC CAPS (ITEM 7) TO BE RE-INSTALLED FLUSH WITH SURFACE OF COVER ASSY (ITEM 5) AFTER PARTICLE COUNT MEASUREMENTS HAVE BEEN MADE. NOTE THAT PARTICLE COUNT NOT TO EXCEED 100 p/ft³ GREATER THAN 5 μ WITH DISK SPINNING A 3600 RPM.
 9. TORQUE CAP SCREWS (ITEM 20) TO 40 ±5 IN. LBS.
 10. LOCATE THE THREE CLAMPS (ITEM 21) IN THE APPROX LOCATIONS SHOWN.
 11. TORQUE SCREWS (ITEM 18) TO 30 ±3 IN. LBS.
 12. DELETED PER ECO 7021170-CX001 (60811).



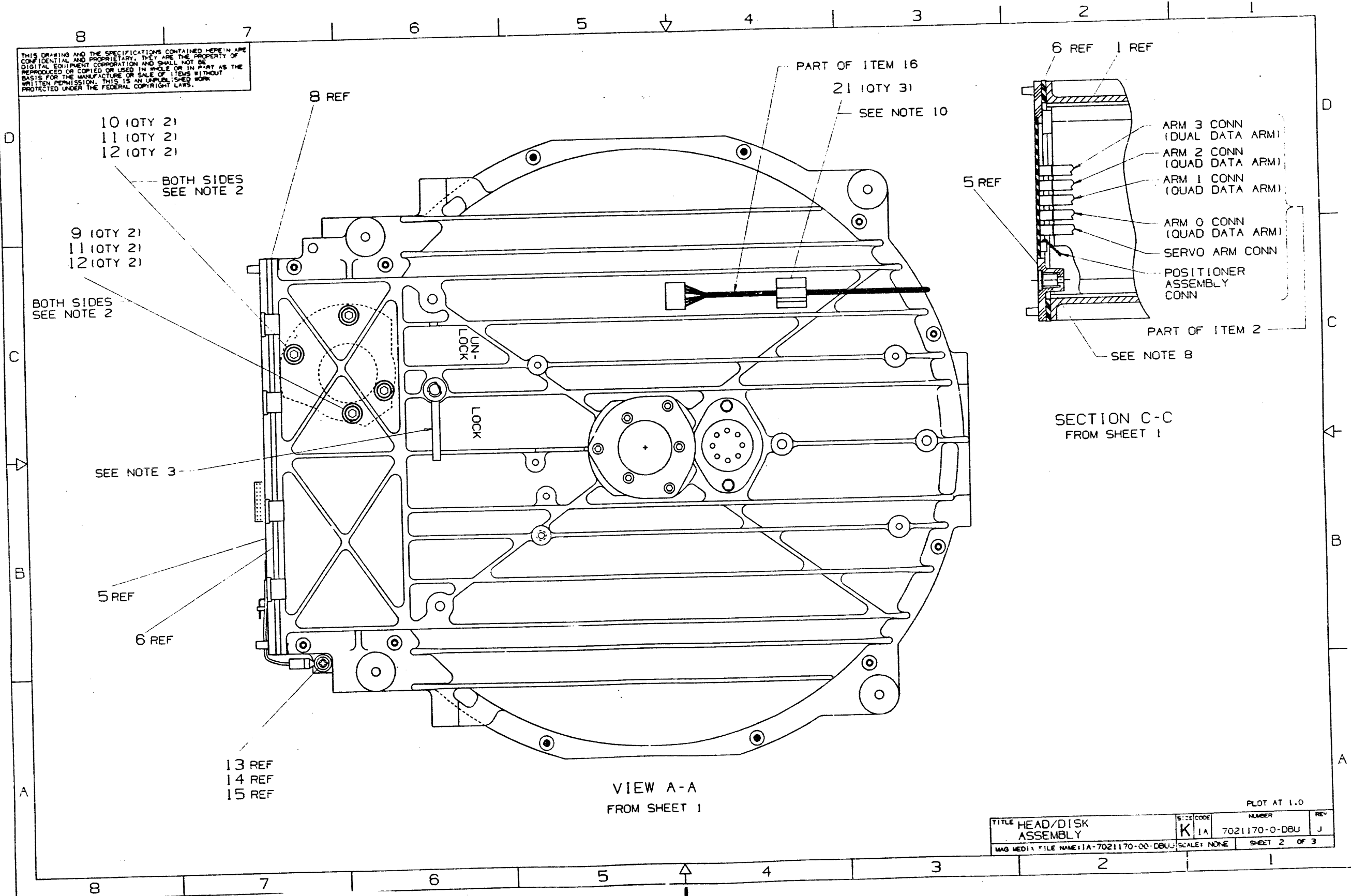
REVISION HISTORY		
DATE	ECO NUMBER	PART REV
61	7021170-CX005	E4
41	7021170-CX006	J
	C. D. NISS	
	11-14-88	

TOLERANCES	
INCHES	ANGLES
.XX ±.1	
.XXX ±.02	±0° 30'
.XXX ±.005	

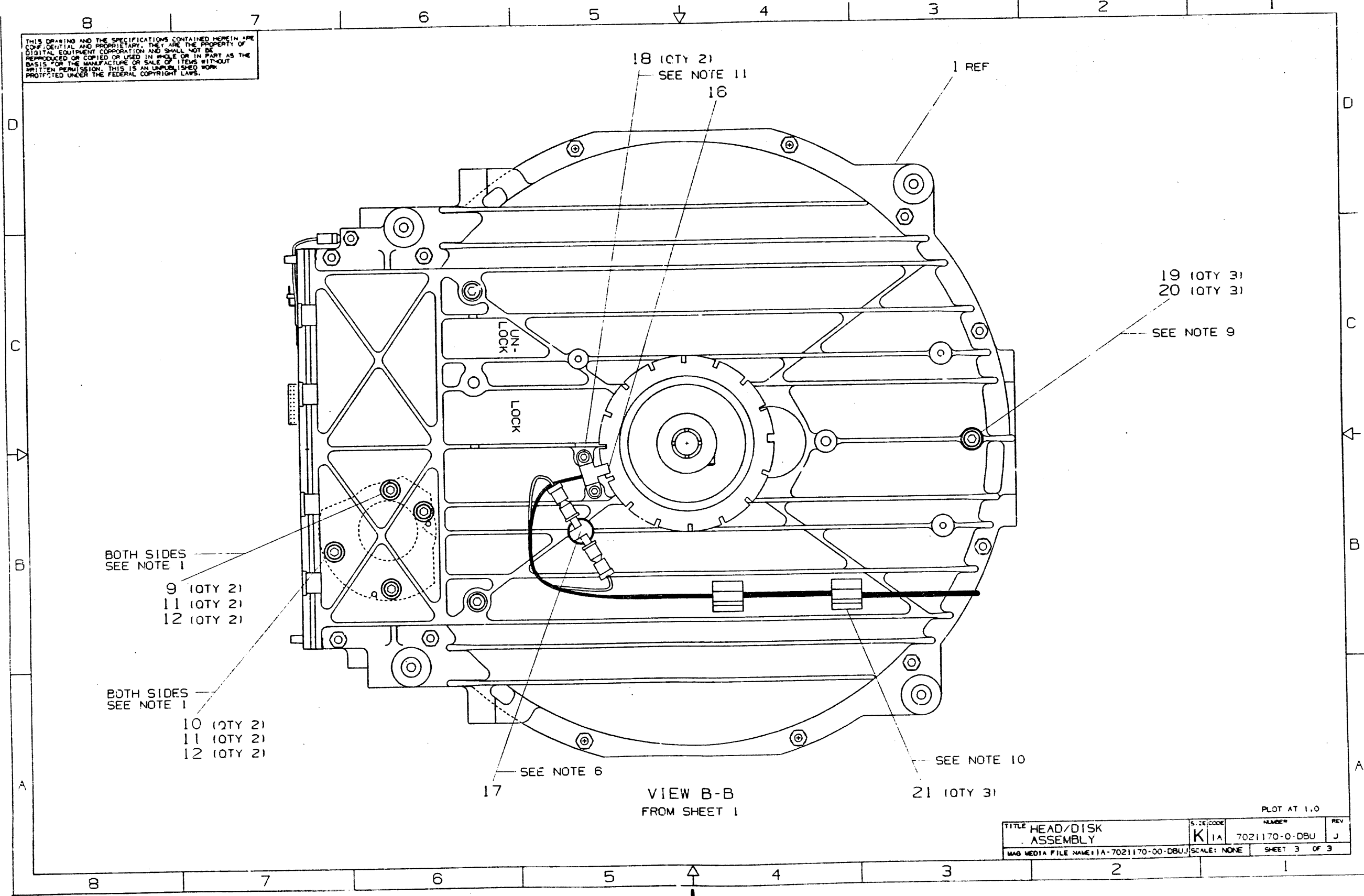
CAUTION: OFF-SHEET PARTS LIST EXISTS. SEE K-PL-7021170-0-DBP (28171).
 TOP DOC: K-1A-7021170-0-DBU
 MAG MEDIA FILE NAME: 1A-7021170-00-DBUJ
 DATA BASE 1/1, PLOT AT 1.0

THIRD ANGLE PROJECTION		DESIGNED BY	DATE	TITLE
DO NOT SCALE DRAWING		T. FALETTE	20 DEC 83	HEAD/DISK ASSEMBLY
REMOVE BURRS AND BREAK SHARP CORNERS		R. MICHAUD	1 APR 88	
MATERIAL SEE PARTS LIST		J. READ	23 APR 88	DOCUMENT NUMBER
FINISH NONE		J. READ	23 APR 88	
		D. NISS	23 APR 88	SIZE CODE NUMBER
		K-AD-7021468-0-DBU		K 1A 7021170-0-DBU J
				SCALE NONE SHEET 1 OF 3

THIS DRAWING AND THE SPECIFICATIONS CONTAINED HEREIN ARE CONFIDENTIAL AND PROPRIETARY. THEY ARE THE PROPERTY OF DIGITAL EQUIPMENT CORPORATION AND SHALL NOT BE REPRODUCED OR COPIED OR USED IN WHOLE OR IN PART AS THE BASIS FOR THE MANUFACTURE OR SALE OF ITEMS WITHOUT WRITTEN PERMISSION. THIS IS AN UNPUBLISHED WORK PROTECTED UNDER THE FEDERAL COPYRIGHT LAWS.



THIS DRAWING AND THE SPECIFICATIONS CONTAINED HEREIN ARE CONFIDENTIAL AND PROPRIETARY. THEY ARE THE PROPERTY OF DIGITAL EQUIPMENT CORPORATION AND SHALL NOT BE REPRODUCED OR COPIED OR USED IN WHOLE OR IN PART AS THE BASIS FOR THE MANUFACTURE OR SALE OF ITEMS WITHOUT WRITTEN PERMISSION. THIS IS AN UNPUBLISHED WORK PROTECTED UNDER THE FEDERAL COPYRIGHT LAWS.



VIEW B-B
FROM SHEET 1

TITLE	HEAD/DISK ASSEMBLY	S. ZE CODE	NUMBER	REV
		K 1A	7021170-0-DBU	J
MAG MEDIA FILE NAME: 1A-7021170-00-DBU		SCALE: NONE	SHEET 3 OF 3	

PLOT AT 1.0

AUTOMATED BY VAXKPL (V1.3)

PARTS LIST

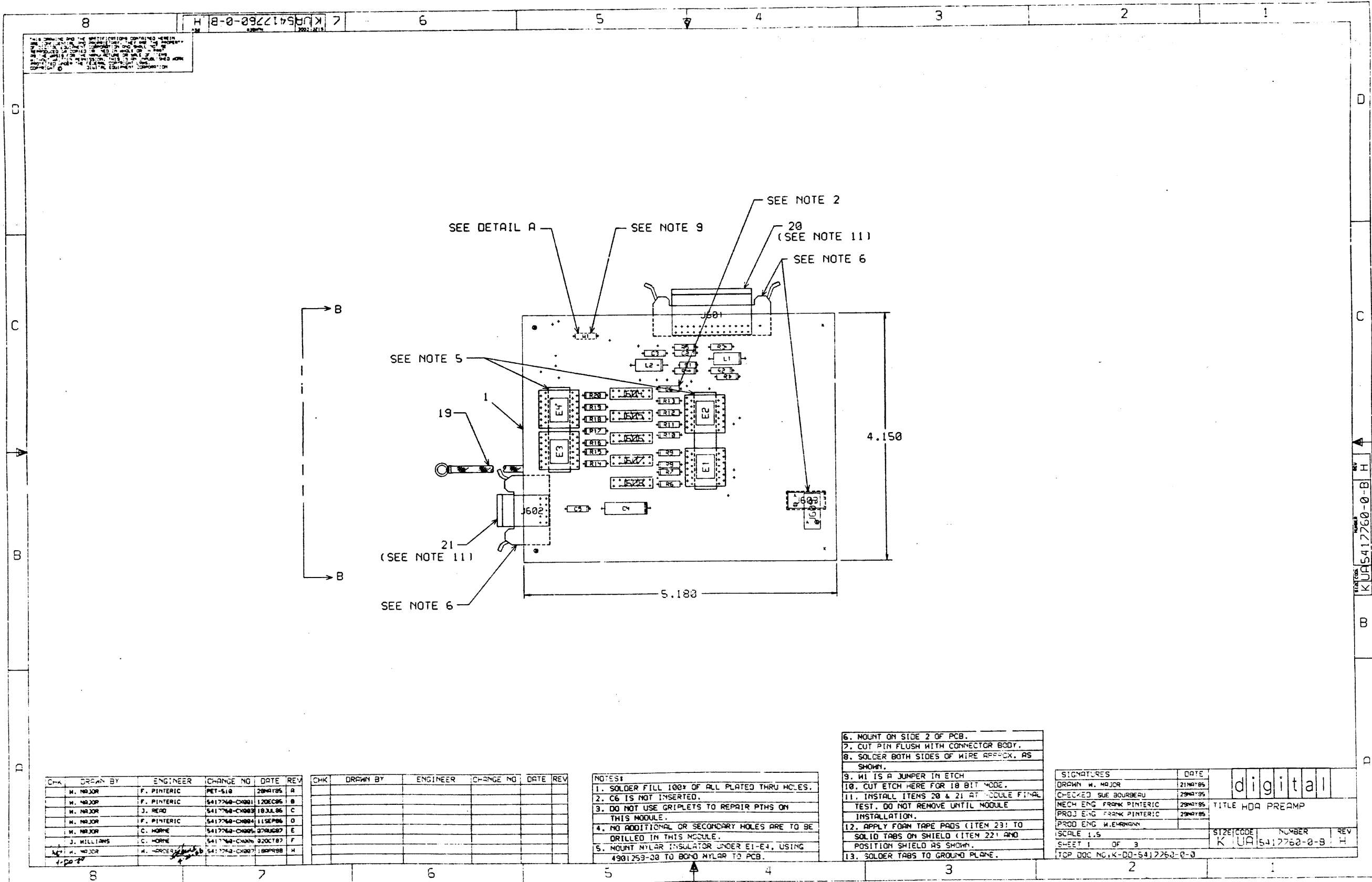
SHEET A1 OF A1
QUANTITY PER VARIATION/REVISION

LINE ITEM	TOP DOCUMENT	PART NUMBER	MIN REV	DESCRIPTION	QTY
1	1 K-IA-7021466-0-DBU	70-21466-01	E	HOUSING/DISK ASSEMBLY	1
2	2 K-IA-7021460-0-DBU	70-21460-01		POSITIONER ASSEMBLY	1
3	3 K-MD-7429944-0-DBU	74-29944-01		SHIM, POSITIONER .004 THK	A/R
4	4 K-MD-7429944-0-DBU	74-29944-02		*** THIS ITEM IS NOT USED ***	-
5	5 C-IA-7018489-0-0	70-18489-02	E	HDA REAR COVER ASSEMBLY (RA82)	1
6	6 C-MD-7420798-0-0	74-20798-00		GASKET	1
7				*** THIS ITEM IS NOT USED ***	-
8		12-16829-00		CLIP, SPRING FOR DISK	16
9	9 SEE NOTE # 9	90-10557-01		SCREW, MACH BOLT EXT TORX 1/4-20	4
10	10 SEE NOTE # 10	90-10557-02		SCREW, MACH BOLT EXT TORX 1/4-20	4
11		90-08071-00		WASHER, FLAT SST	8
12		90-07797-00		WASHER, HELICAL SPLIT SST .263/	8
13		90-06039-01		SCREW, MACH PAN PHIL 8-32	1
14		90-09023-00		WASHER, LOCK INTERNAL SST	1
15		90-06561-00		NUT, HEX 8-32X .307AF SS/NON	1
16		12-15817-00		SW, OPTICAL, ASSY	1
17		12-16870-01		THERMOSTAT, O@128, C@105	1
18		90-10075-02	A	SCREW, THD RL, HEX F/METAL 8	2
19	19 B-MD-7423893-0-0	74-23893-00		FOOT HDA	3
20		90-06370-08		SCREW, CAP SOC HEX 1/4-20	3
21		90-10264-00	A	CLAMP, WIRE LOCKING, ADH. BACK	3

9 NOTE: PART NUMBER 90-06371-08, SCREW, CAP SOC HEX 1/4-20 X 5/8, QTY 4, IS AN ACCEPTABLE ALTERNATE FOR ITEM 9.
 10 NOTE: PART NUMBER 90-06374-08, SCREW, CAP SOC HEX 1/4-20 X 1, QTY 4, IS AN ACCEPTABLE ALTERNATE FOR ITEM 10

REVISION HISTORY		KPL MATRIX FORMAT SECTION A OF A		DRN: A. POWELL	DIGITAL		
ENG	ECO NUMBER	REV	SECTION/VARIATION INDEX	DATE: 30-MAY-85	TITLE PARTS LIST		
JR	PCA PET-121	AX00	[A] 01	CHK'D: R. MICHAUD	HEAD/DISK ASSEMBLY		
JR	PCA PET-270	AX01	[B]	DATE: 23-APR-86	DOCUMENT NUMBER		
JR	PCA PET-333	A	[C]	DES.ENG: J. READ	SIZE	CODE	NUMBER
MM	7021170-CX001	B	[D]	DATE: 23-APR-86	K	PL	7021170-0-DBP
MM	7021577-CX01A	C	[E]	RESP.ENG.: J. READ	REV		
MM	7021170-CX002	D	[F]	DATE: 23-APR-86	RELEASE DATE: 10-MAR-88		
MM	7021468-CX002	E	[H]	MFG.ENG: D. NISS	RELEASE STATUS: RELEASED		
MM	7021170-CX003	F	[J]	DATE: 23-APR-86	TOP DOCUMENT NUMBER: K-IA-7021170-0-DBU		
CH	7021170-CX004	H		FILE NAME: Z8171J.PLS		EDIT # 1	
CH	7021170-CX005	J		BASIC PART NUMBER: 7021170			
"THIS DRAWING AND THE SPECIFICATIONS CONTAINED HEREIN ARE CONFIDENTIAL AND PROPRIETARY. THEY ARE THE PROPERTY OF DIGITAL EQUIPMENT CORPORATION AND SHALL NOT BE REPRODUCED OR COPIED OR USED IN WHOLE OR IN PART AS THE BASIS FOR THE MANUFACTURE OR SALE OF ITEMS WITHOUT WRITTEN PERMISSION. THIS IS AN UNPUBLISHED WORK PROTECTED UNDER THE FEDERAL COPYRIGHT LAWS."							

10 MAR 88 10 10 AM '88



CHK	DRAWN BY	ENGINEER	CHANGE NO	DATE	REV
	H. MAJOR	F. PINTERIC	PET-510	28MAY85	A
	H. MAJOR	F. PINTERIC	5417760-CH001	12DEC85	B
	H. MAJOR	J. READ	5417760-CH002	18JUL86	C
	H. MAJOR	F. PINTERIC	5417760-CH004	11SEP86	D
	H. MAJOR	C. HORNE	5417760-CH005	07AUG87	E
	J. WILLIAMS	C. HORNE	5417760-CH006	02OCT87	F
	H. MAJOR	A. HORNER	5417760-CH007	18APR88	H

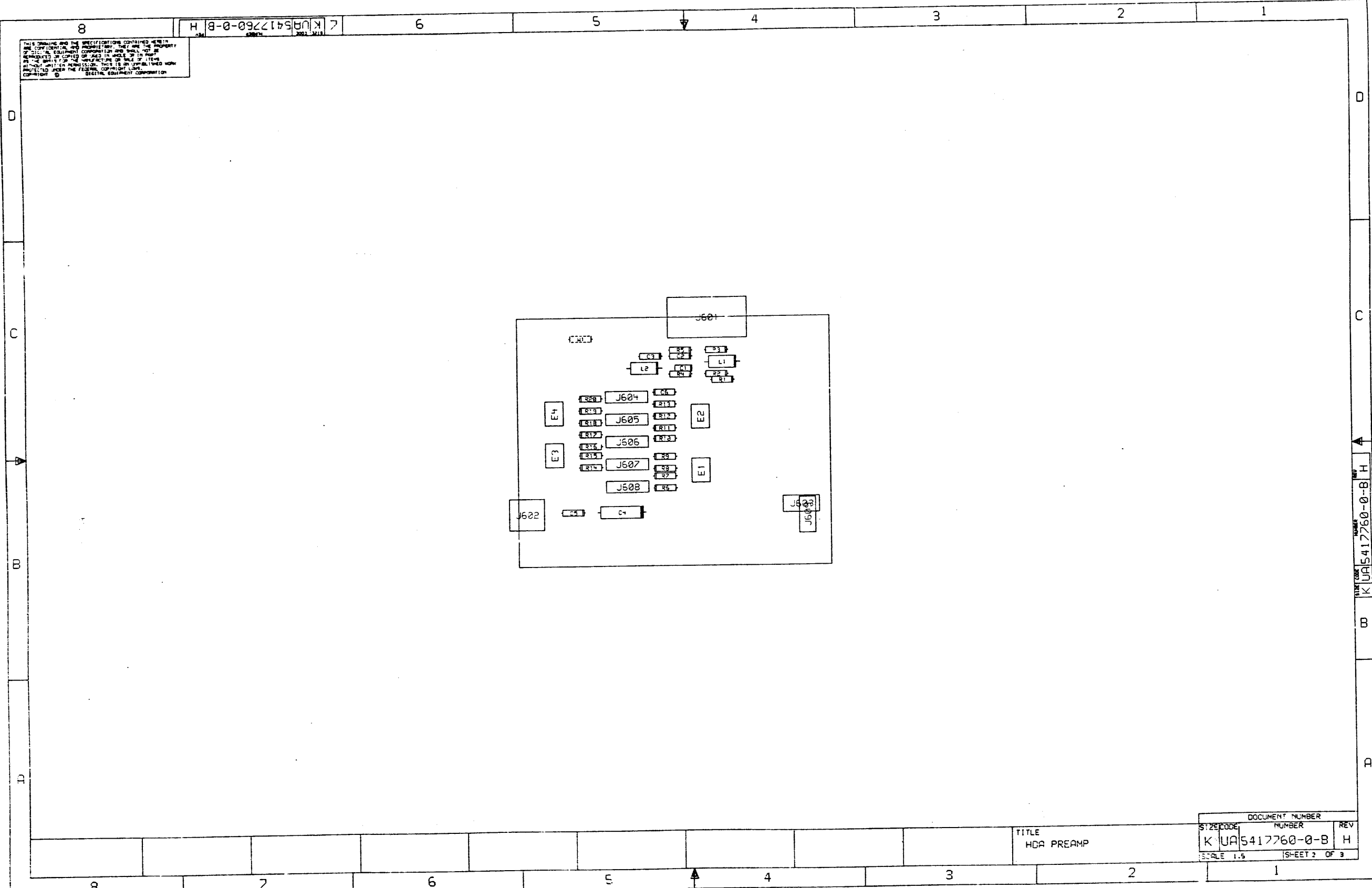
CHK	DRAWN BY	ENGINEER	CHANGE NO	DATE	REV

NOTES:

1. SOLDER FILL 100% OF ALL PLATED THRU HOLES.
2. C6 IS NOT INSERTED.
3. DO NOT USE GRIPLETS TO REPAIR PTHS ON THIS MODULE.
4. NO ADDITIONAL OR SECONDARY HOLES ARE TO BE DRILLED IN THIS MODULE.
5. MOUNT NYLAR INSULATOR UNDER E1-E4, USING 4901253-38 TO BOND NYLAR TO PCB.

6. MOUNT ON SIDE 2 OF PCB.
7. CUT PIN FLUSH WITH CONNECTOR BODY.
8. SOLDER BOTH SIDES OF WIRE APPROX. AS SHOWN.
9. W1 IS A JUMPER IN ETCH.
10. CUT ETCH HERE FOR 18 BIT MODE.
11. INSTALL ITEMS 20 & 21 AT MODULE FINAL TEST. DO NOT REMOVE UNTIL MODULE INSTALLATION.
12. APPLY FOAM TAPE PADS (ITEM 23) TO SOLID TABS ON SHIELD (ITEM 22) AND POSITION SHIELD AS SHOWN.
13. SOLDER TABS TO GROUND PLANE.

SIGNATURES		DATE	digital
DRAWN H. MAJOR		21MAY85	
CHECKED SUE BOURBEAU		29MAY85	TITLE HQA PREAMP
MECH ENG FRANK PINTERIC		29MAY85	
PROD ENG W. LEHRMANN		29MAY85	SCALE 1:5
SHEET 1 OF 3		SIZE/CODE	NUMBER
TOP DOC NO. K-DO-5417760-0-3		KUA	5417760-0-B



THIS DRAWING AND THE SPECIFICATIONS CONTAINED HEREIN ARE CONFIDENTIAL AND UNCLASSIFIED INFORMATION. THE PROPERTY OF THE U.S. GOVERNMENT. THIS DRAWING IS THE PROPERTY OF THE U.S. GOVERNMENT AND IS TO BE REPRODUCED IN WHOLE OR IN PART BY ANYONE WITHOUT THE WRITTEN PERMISSION OF THE U.S. GOVERNMENT. THIS IS AN UNCLASSIFIED WORK AND IS NOT SUBJECT TO RESTRICTIONS ON REPRODUCTION. UNLESS INDICATED OTHERWISE, THIS DRAWING IS THE PROPERTY OF THE U.S. GOVERNMENT.

7 KUA5417760-0-B H

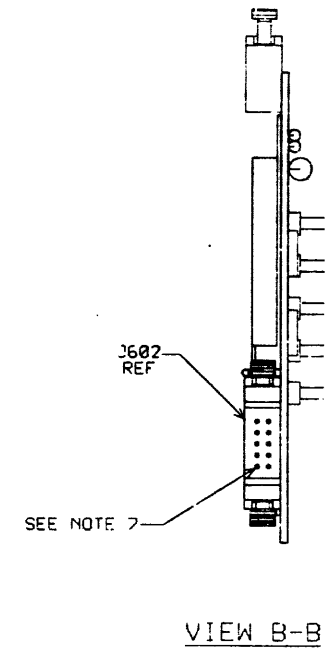
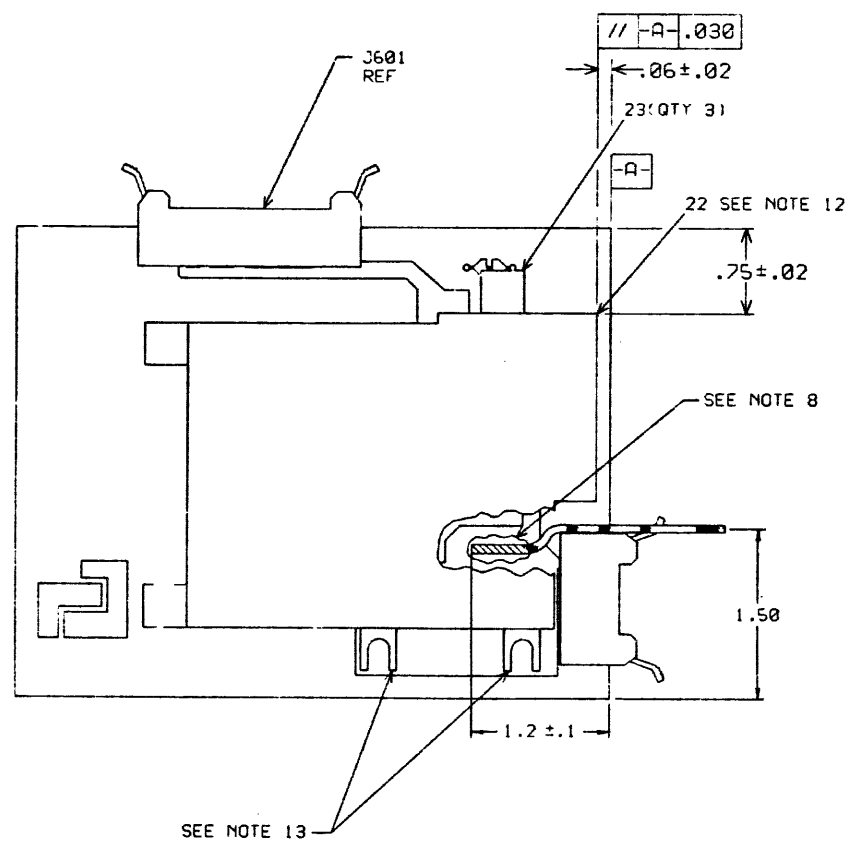
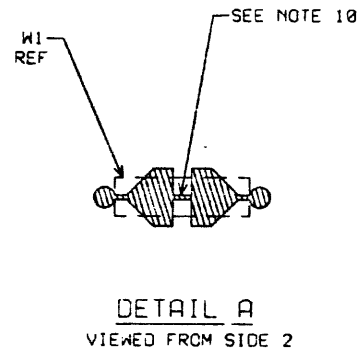
7 KUA5417760-0-B H

TITLE
HDA PREAMP

DOCUMENT NUMBER		REV
SIZE CODE	NUMBER	
KUA5417760-0-B	H	
SCALE 1:5		SHEET 2 OF 3

8 7 6 5 4 3 2 1

THIS DRAWING AND THE SPECIFICATIONS CONTAINED HEREIN ARE CONFIDENTIAL AND UNCLASSIFIED. THE PROPERTY OF DIGITAL EQUIPMENT CORPORATION AND SHALL NOT BE REPRODUCED OR COPIED IN ANY MANNER WITHOUT THE WRITTEN PERMISSION OF DIGITAL EQUIPMENT CORPORATION. ALL RIGHTS RESERVED. DIGITAL EQUIPMENT CORPORATION ©



D
C
B
A

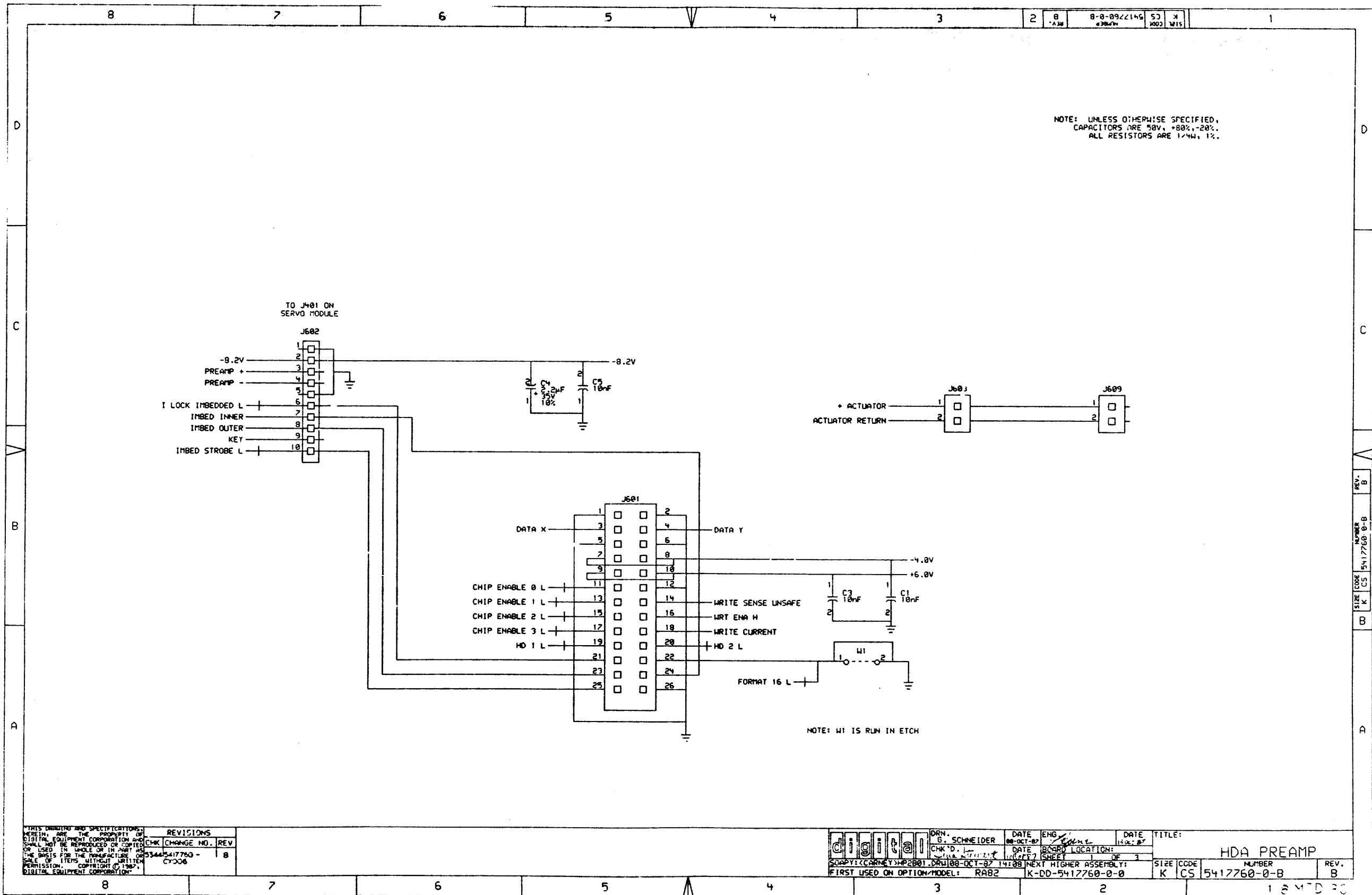
D
C
B
A

8	7	6	5	4	3	2	1	
						TITLE HDA PREAMP		DOCUMENT NUMBER K 05417760-0-B H
						SCALE 1:5		SHEET 3 OF 3

K 05417760-0-B H

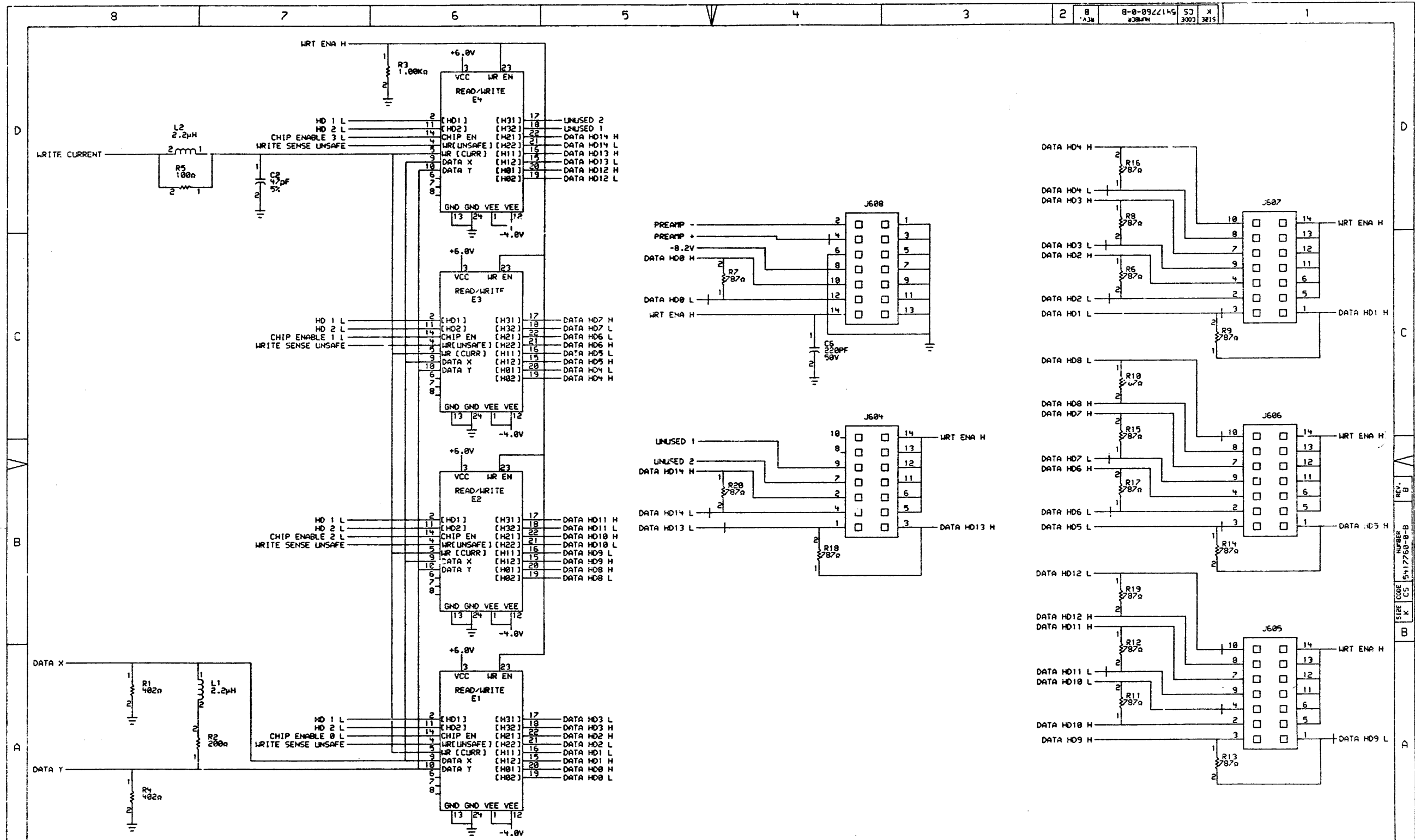
LINE ITEM	TOP DOCUMENT	PART NUMBER	MIN REV	DESCRIPTION	QTY PER VAR/REV	REFERENCE DESIGNATORS
					01 B2	
1	K-DD-5017759-0-B	50-17759-01		DRILL & ETCH BOARD	1	
2		10-01610-00		0.010MFD 50V +80/-20% Z5U C	3	C1,C3,C5
3		10-02431-00		2.2 MFD 35V +/-10% SOL	1	C4
4		10-13466-24		47 PFD 50V +/- 5% NPO C	1	C2
5		12-12204-12		PCB HEADER 02PIN(1X02).156CC 90D	2	J603,J609
6		12-16832-07		PCB,HEADER 10POS(2X05).100CC 90D	1	J602
7		12-16832-01		PCB,HEADER 26POS(2X13).100CC 90D	1	J601
8		12-20268-01		PCB,HEADER 14PIN(2X07).100CC STR	5	J604-J608
9		13-02858-00		100.0 .25 W 1.0 % RN55D-F10	1	R5
10		13-03114-00		1.0 K .25 W 1.0 % RN55D-F10	1	R3
11		13-13794-00		787.0 .25 W 1.0 % RN55D-F10	15	R6-R20
12		13-16836-00		402.0 .25 W 1.0 % RN55D-F10	2	R1,R4
13		13-19169-01		200.0 .25 W 1.0 % RN55D-F10	1	R2
14		16-09620-00		2.2 UH #RFCS2.2	2	L1,L2
15		19-16241-00		104A READ/WRITE AMP	4	E1-E4
16		49-01259-00		ADHESIVE,ETHYL CYANOACRYLATE,KIT	A/R	
17	B-MD-7423837-0-0	74-23837-00		INSULATOR,MYLAR	2	
18		90-07930-00		*** THIS ITEM IS NOT USED ***	-	
19		70-17756-02		STRAP, GROUNDING (0' 3")	1	
20		12-26796-01		CONN,LOOPBACK 26PIN FEM	1	
21		12-26796-02		CONN,LOOPBACK 10PIN FEM	1	
22		74-33777-01		SHIELD,EMI,HDA	1	
23		36-25021-04		TAPE,FOAM DBL ADH BACK ACRYLIC	3	

REVISION HISTORY			KPL MODULE FORMAT		SECTION A OF A	DRN: SUE BOURBEAU	DIGITAL				
ENG	ECO NUMBER	REV	SECTION/VARIATION INDEX			DATE: 09-APR-85	TITLE PARTS LIST				
---	INITIAL	A	[A]	01	[M]	CHK'D: SUE BOURBEAU	HDA PREAMP				
FP	5417760-CX001	B	[B]		[N]	DATE: 09-APR-85					
FP	5417760-CX002	C	[C]		[P]	DES.ENG: FRANK PINTERIC					
JR	5417760-CX003	D	[D]		[Q]	DATE: 09-APR-85	DOCUMENT NUMBER				
FP	5417760-CX004	E	[E]		[R]		SIZE	CODE	NUMBER	REV	
CH	5417760-CX005	F	[F]		[S]	RESP.ENG.: FRANK PINTERIC					
CH	5417760-CX006	H	[H]		[T]	DATE: 09-APR-85	K	PL	5417760-0-DBPB	H	
			[J]		[V]						
			[K]		[W]	MFG.ENG: DON KILDEBECK	RELEASE DATE: 12-OCT-87				
			[L]		[Y]	DATE: 09-APR-85	RELEASE STATUS: RELEASED				
			BASIC PART NUMBER:		ASSEMBLY NUMBER:	TOP DOCUMENT NUMBER:	FILE NAME:	EDIT #			
			5417760		D-UA-5417760-0-B	K-DD-5417760-0-0	CX193H.PLS	3			
<p>"THIS DRAWING AND THE SPECIFICATIONS CONTAINED HEREIN ARE CONFIDENTIAL AND PROPRIETARY. THEY ARE THE PROPERTY OF DIGITAL EQUIPMENT CORPORATION AND SHALL NOT BE REPRODUCED OR COPIED OR USED IN WHOLE OR IN PART AS THE BASIS FOR THE MANUFACTURE OR SALE OF ITEMS WITHOUT WRITTEN PERMISSION. THIS IS AN UNPUBLISHED WORK PROTECTED UNDER THE FEDERAL COPYRIGHT LAWS."</p>											



REVISIONS	
CHK	CHANGE NO. REV
	53445417760 - 1 B
	C7006

DRN. G. SCHNEIDER	DATE 08-OCT-87	ENG. <i>[Signature]</i>	DATE 11-OCT-87	TITLE: HDA PREAMP
CHK'D. <i>[Signature]</i>	DATE 08-OCT-87	BOARD LOCATION: 1 OF 3	SIZE CODE K CS	NUMBER 5417760-0-B
COPY: (CART) HP2001 DRAWING: 08-OCT-87 14188		NEXT HIGHER ASSEMBLY: K-DD-5417760-0-0		REV. B
FIRST USED ON OPTION/MODEL: RAB2		1 2 MTD 20		



THIS DRAWING AND SPECIFICATIONS HEREIN ARE THE PROPERTY OF DIGITAL EQUIPMENT CORPORATION AND SHALL NOT BE REPRODUCED OR COPIED OR USED IN WHOLE OR IN PART AS THE BASIS FOR THE MANUFACTURE OR SALE OF ITEMS WITHOUT WRITTEN PERMISSION. COPYRIGHT © 1987, DIGITAL EQUIPMENT CORPORATION.

REVISIONS	
CHK	CHANGE NO. / REV

	DRN. G. SCHNEIDER	DATE 08-OCT-87	DATE	TITLE: HDA PREAMP
	CHK'D.	DATE	BOARD LOCATION:	NUMBER
COPY: (CARNET) P2502.DRW (08-OCT-87 14:22) NEXT HIGHER ASSEMBLY:		SIZE CODE K CS		NUMBER 5417760-0-B
FIRST USED ON OPTION/MODEL: RAS2		K-DD-5417760-0-0		REV. B

Vertical Location (A-D)	Direction of line (Left, Right, Up, Down) or electrical (Input, Output, Both) or backplane pin (Pin)	Horizontal location (1-8)
KEY:	SS-VH,0	
	Schematic Sheet	Horizontal location (1-8)
D	+ ACTUATOR	1-C3,R
	+6.0V	1-B3,L 2-A6,D 2-B6,D 2-C6,D 2-D6,D
	-4.0V	1-B3,L 2-A6,D 2-B6,D 2-C6,D 2-D6,D
	-8.2V	1-C5,L 1-C7,R 2-C5,R
	ACTUATOR RETURN	1-C3,R
	CHIP ENABLE 0 L	1-B5,R 2-A7,R
	CHIP ENABLE 1 L	1-B5,R 2-C7,R
	CHIP ENABLE 2 L	1-B5,R 2-B7,R
	CHIP ENABLE 3 L	1-A5,R 2-D7,R
	DATA HD0 H	2-A5,L 2-C5,R
	DATA HD0 L	2-A5,L 2-C5,R
	DATA HD1 H	2-A5,L 2-C1,L
	DATA HD1 L	2-A5,L 2-C2,R
	DATA HD10 H	2-A2,R 2-B5,L
	DATA HD10 L	2-A2,R 2-B5,L
	DATA HD11 H	2-B2,R 2-B5,L
	DATA HD11 L	2-A2,R 2-B5,L
	DATA HD12 H	2-B2,R 2-D5,L
	DATA HD12 L	2-B2,R 2-D5,L
	DATA HD13 H	2-B3,L 2-D5,L
	DATA HD13 L	2-B5,R 2-D5,L
	DATA HD14 H	2-B5,R 2-D5,L
	DATA HD14 L	2-B5,R 2-D5,L
	DATA HD2 H	2-A5,L 2-C2,R
	DATA HD2 L	2-A5,L 2-C2,R
	DATA HD3 H	2-A5,L 2-D2,R
	DATA HD3 L	2-A5,L 2-C2,R
	DATA HD4 H	2-C5,L 2-D2,R
	DATA HD4 L	2-C5,L 2-D2,R
	DATA HD5 H	2-B1,L 2-C5,L
	DATA HD5 L	2-B2,R 2-C5,L
	DATA HD6 H	2-B2,R 2-C5,L
	DATA HD6 L	2-B2,R 2-C5,L
	DATA HD7 H	2-C2,R 2-C5,L
	DATA HD7 L	2-B2,R 2-C5,L
	DATA HD8 H	2-B5,L 2-C2,R
	DATA HD8 L	2-B5,L 2-C2,R
	DATA HD9	2-A2,R 2-E5,L
	DATA HD9 L	2-A1,L 2-B5,L
	DATA X	1-B5,R 2-A8,R
	DATA Y	1-B4,L 2-A8,R
	FORMAT 16 L	1-A4,R
	HD 1 L	1-A5,R 2-A7,R 2-B7,R 2-C7,R 2-D7,R
	HD 2 L	1-A4,L 2-A7,R 2-B7,R 2-C7,R 2-D7,R
	I LOCK IMBEDDED I	1-C7,R
	IMBED INNER	1-C7,R
	IMBED OUTER	1-C7,R
	IMBED STROBE L	1-B7,P
	KEY	1-B7,R
	PREAMP +	1-C7,R 2-C5,R
	PREAMP -	1-C7,R 2-D5,R
	UNUSED 1	2-B5,R 2-D5,L
	UNUSED 2	2-B5,R 2-D5,L
	WRITE CURRENT	1-A4,L 2-D8,R
	WRITE SENSE UNSAFE	1-B4,L 2-A7,R 2-B7,R 2-C7,R 2-D7,R

THIS DRAWING AND SPECIFICATIONS HEREIN ARE THE PROPERTY OF DIGITAL EQUIPMENT CORPORATION AND SHALL NOT BE REPRODUCED OR COPIED OR USED IN WHOLE OR IN PART FOR ANY PURPOSES WITHOUT THE WRITTEN PERMISSION OF DIGITAL EQUIPMENT CORPORATION.

REVISIONS	
CHK	CHANGE NO., REV

digital	DRN. SCHNEIDER	DATE 08-OCT-87	ENG.	DATE	TITLE:
	CHK'D.	DATE	BOARD LOCATION: 0XEDS	SHEET 1 OF 3	HDA PREAMP
FIRST USED ON OPTION/MODEL: RAB2		NEXT HIGHER ASSEMBLY: K-DD-5417750-0-0		SIZE CODE	NUMBER
				K CS	5417750-0-0
				REV.	9